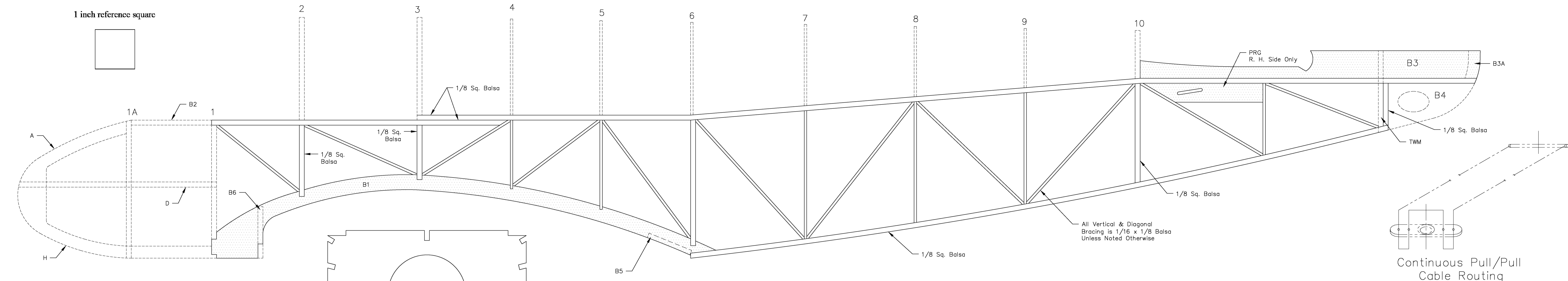
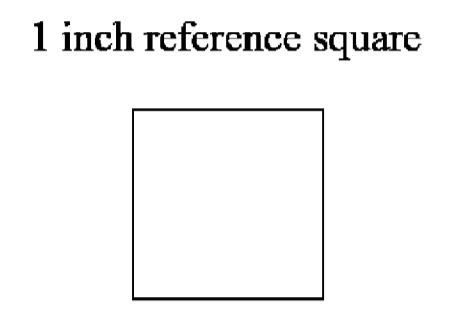
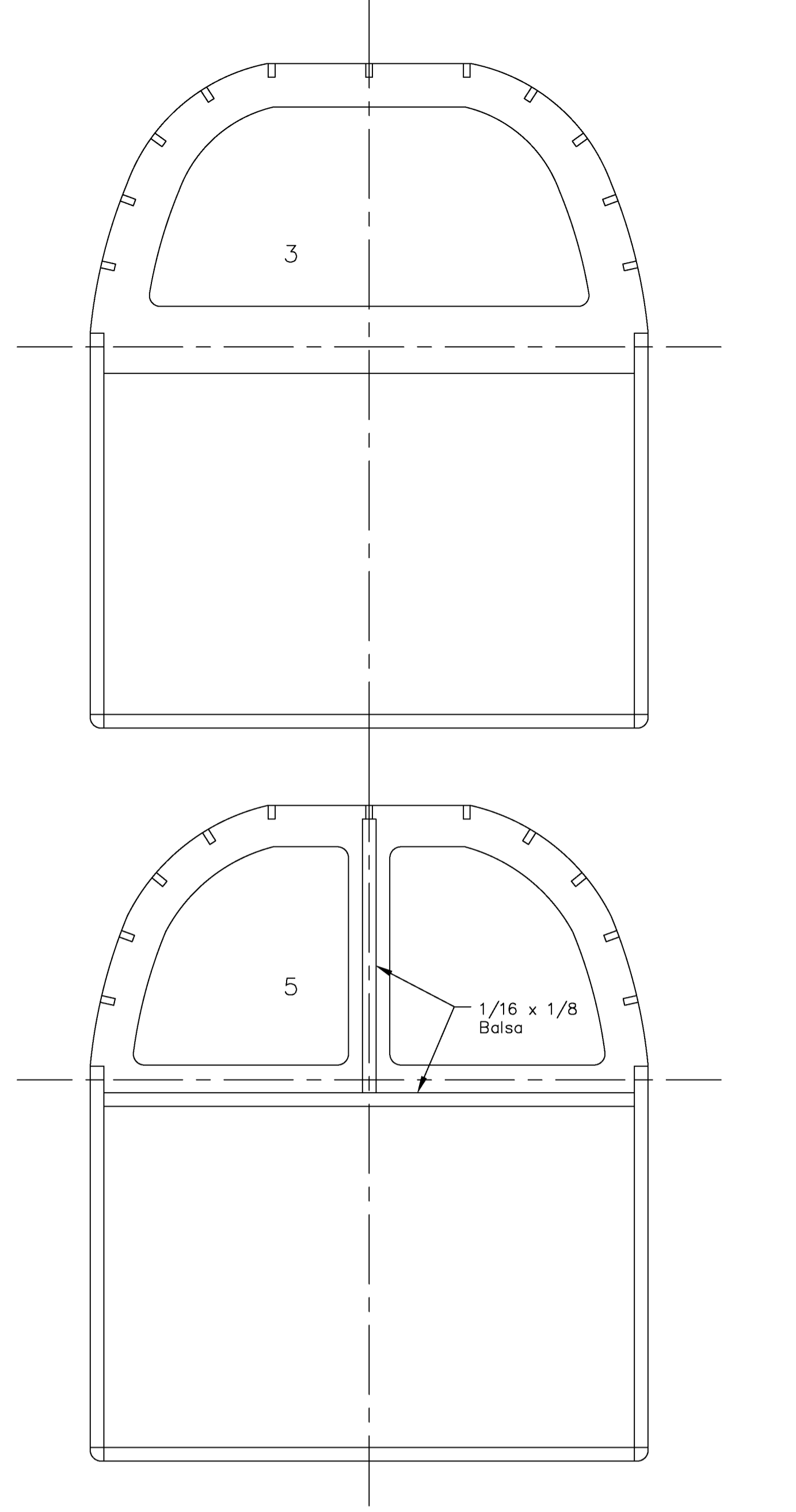
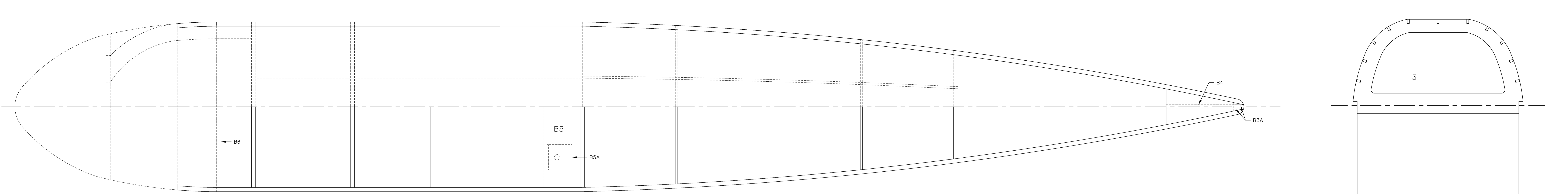


- Recommended Power & Guidance:**
- 2- Suppo 2212/15 Outrunner Motor
 - 2- 18A ESC
 - 1- APC 8-6E Propeller (L. H. Side)
 - 1- APC 8-6EP Propeller (R. H. Side)
 - 1- 2000 mah 2S Lipoly Battery
 - 2- 9 Gram Sub-Micro Servos (Rud Elev)
 - 2- 6 Gram Sub-Micro Servos (Ail)
 - 1 Full Range Rx

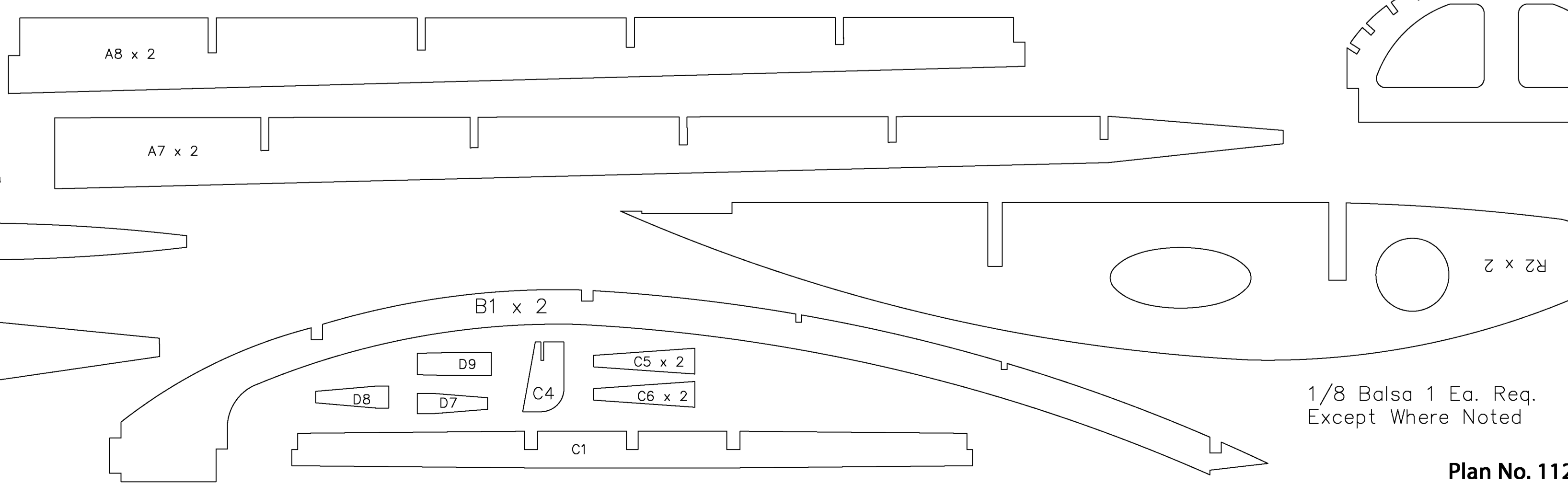
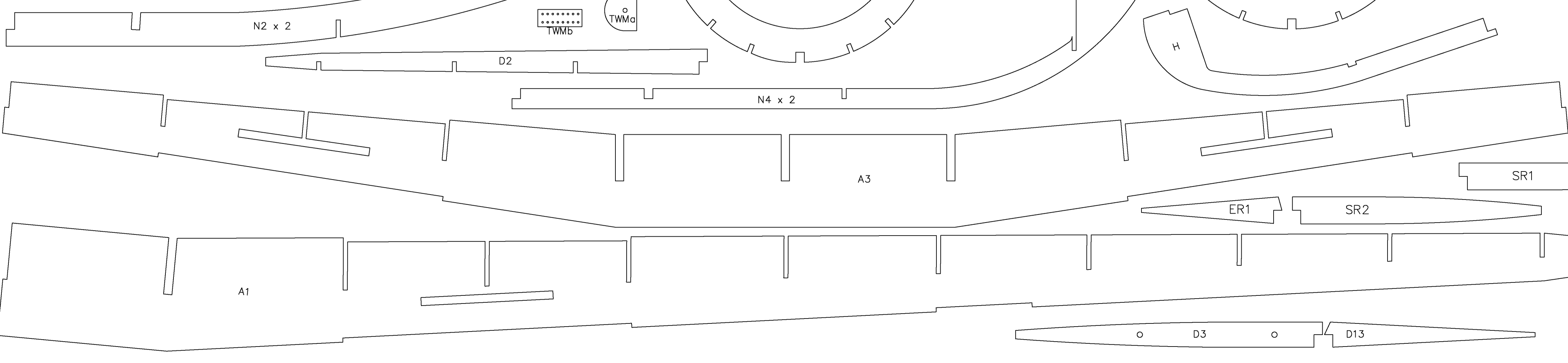
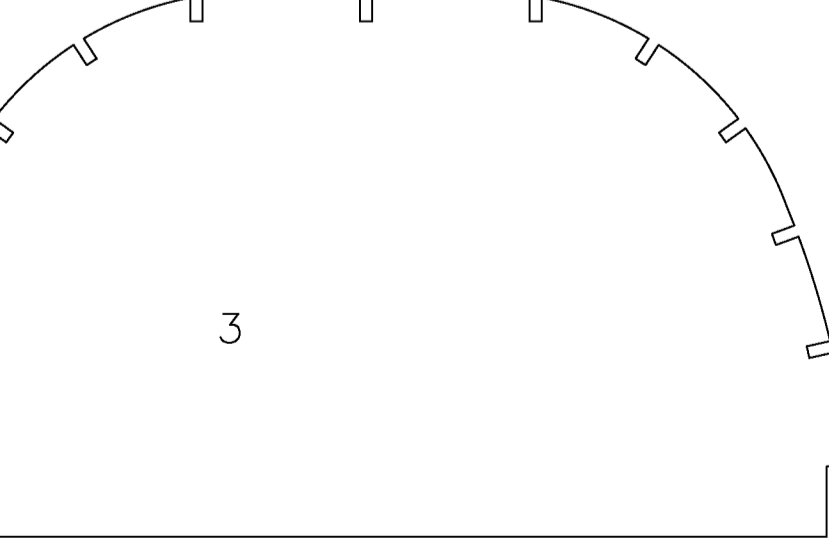
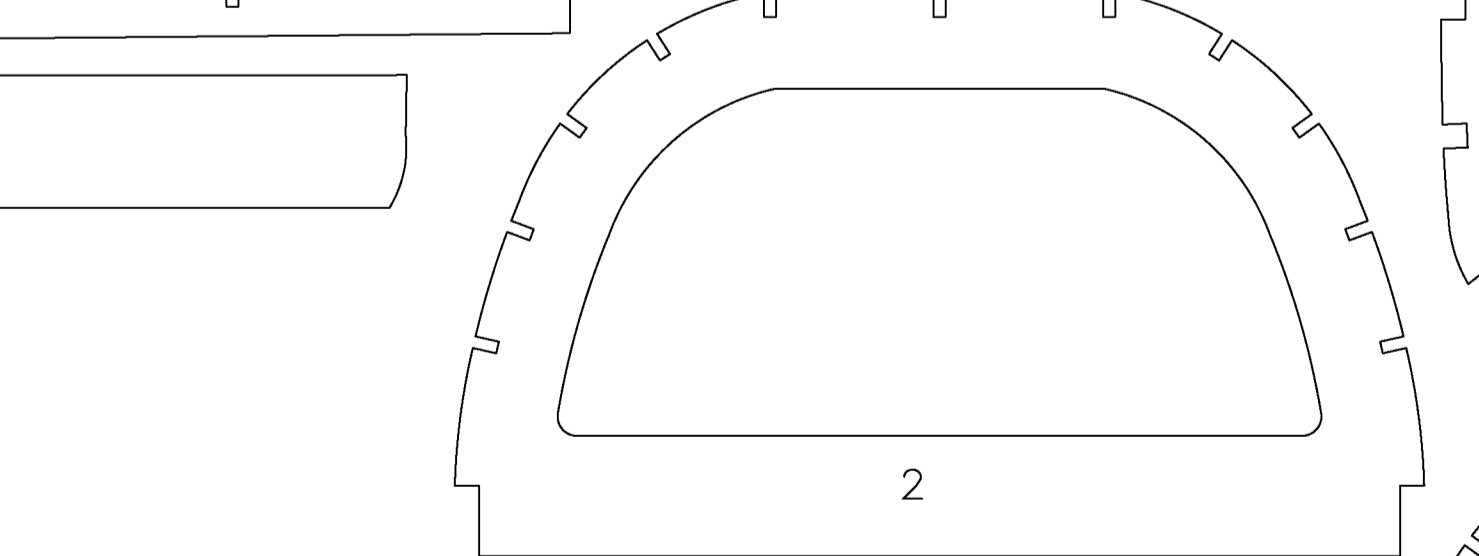
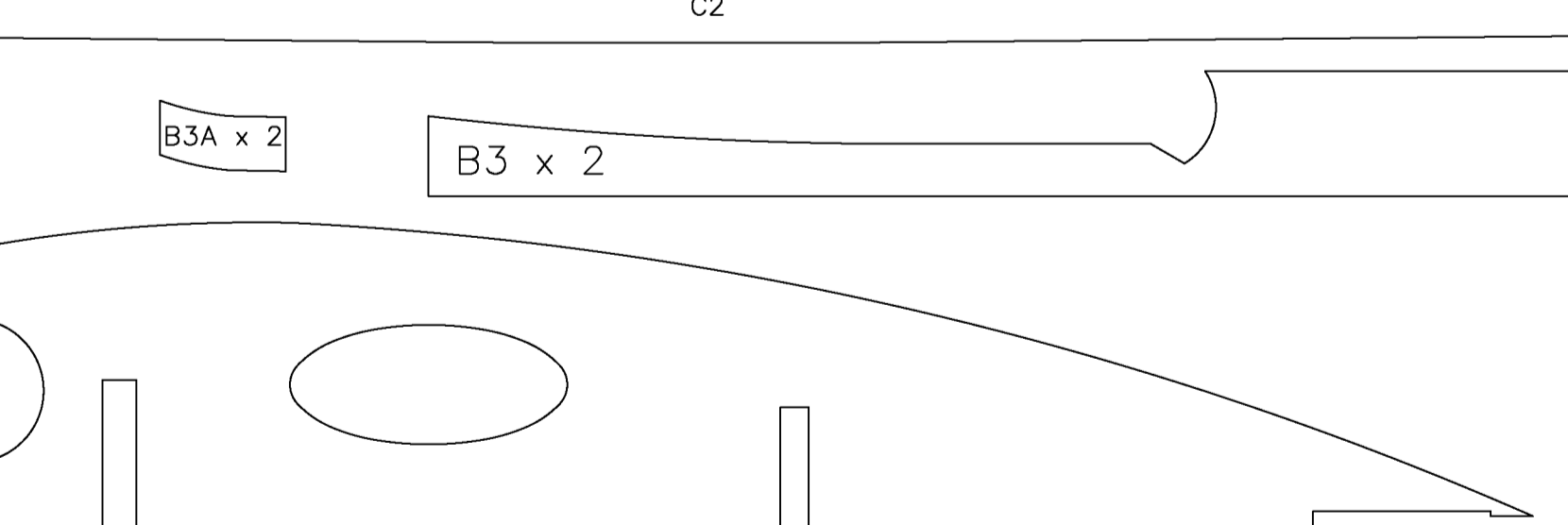
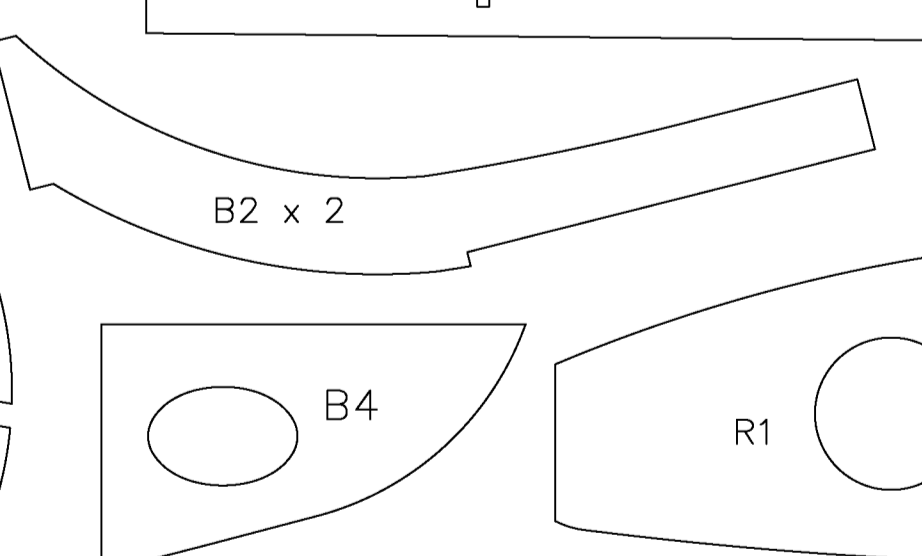
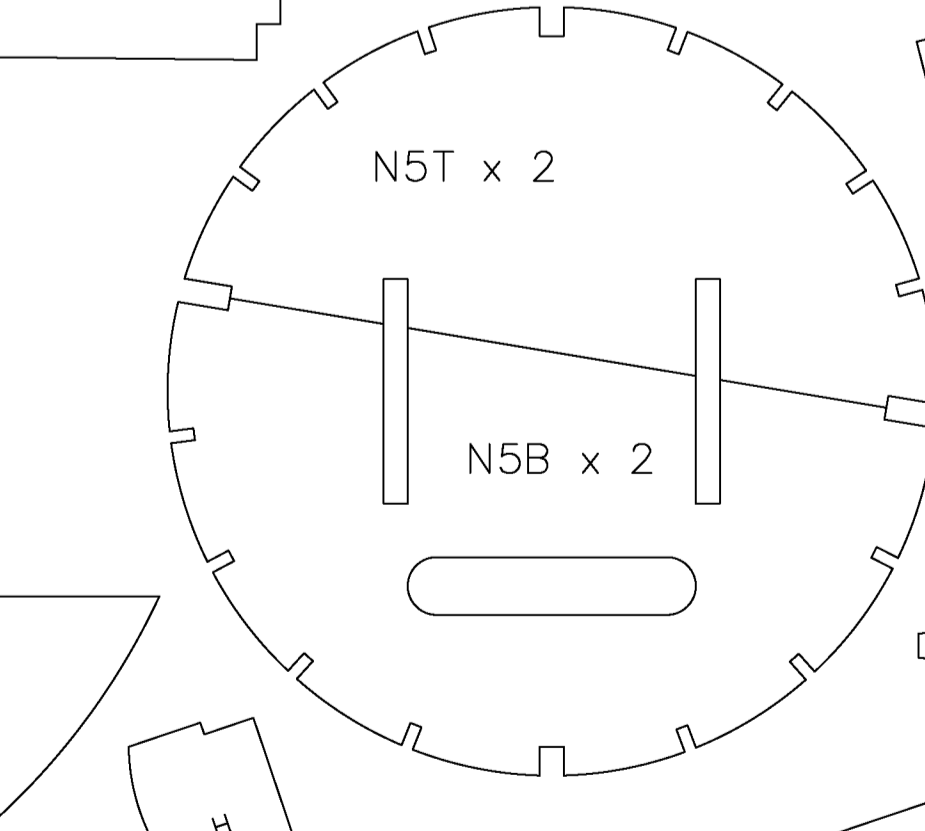
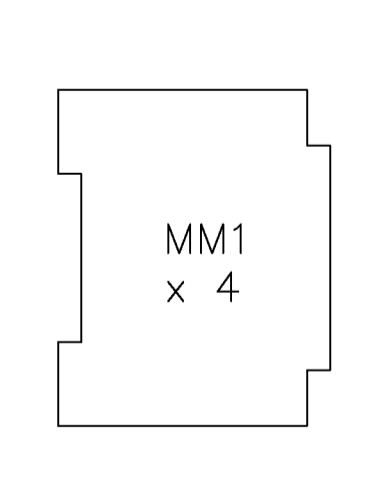
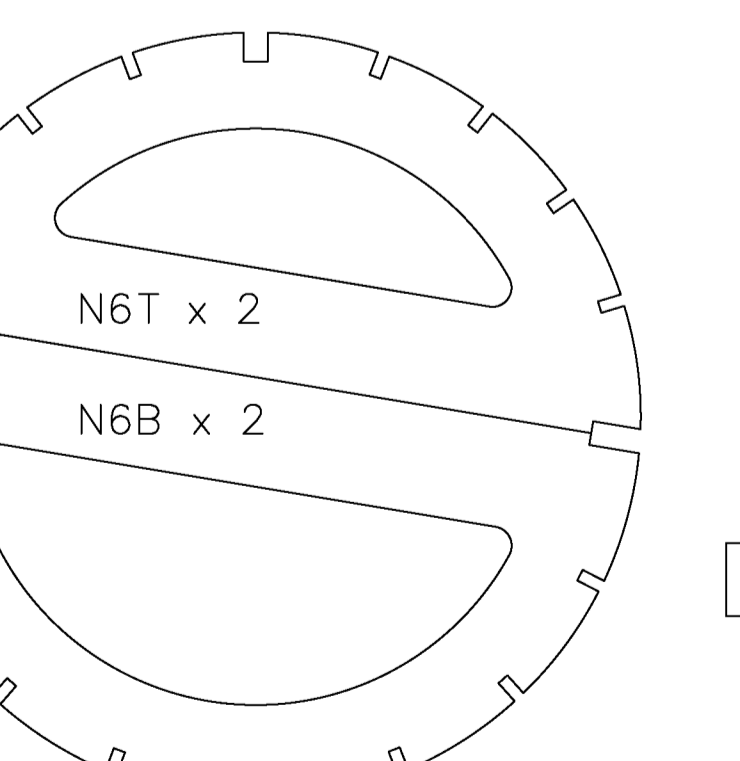
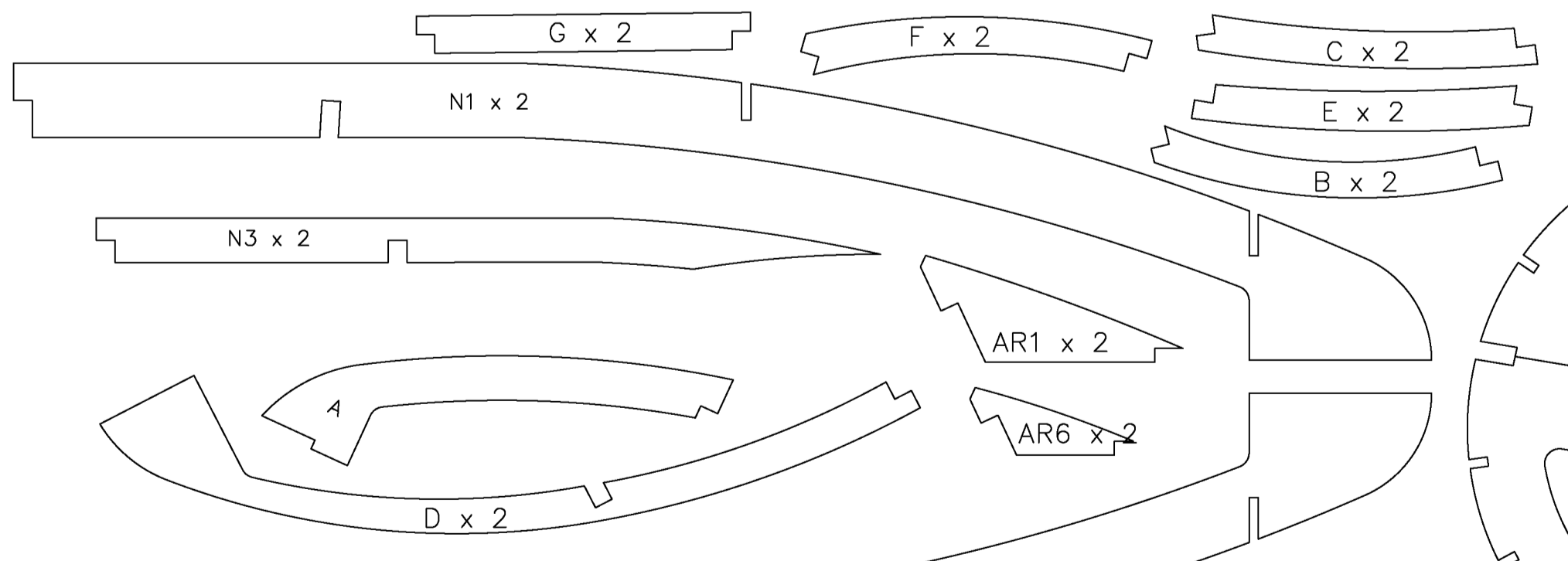
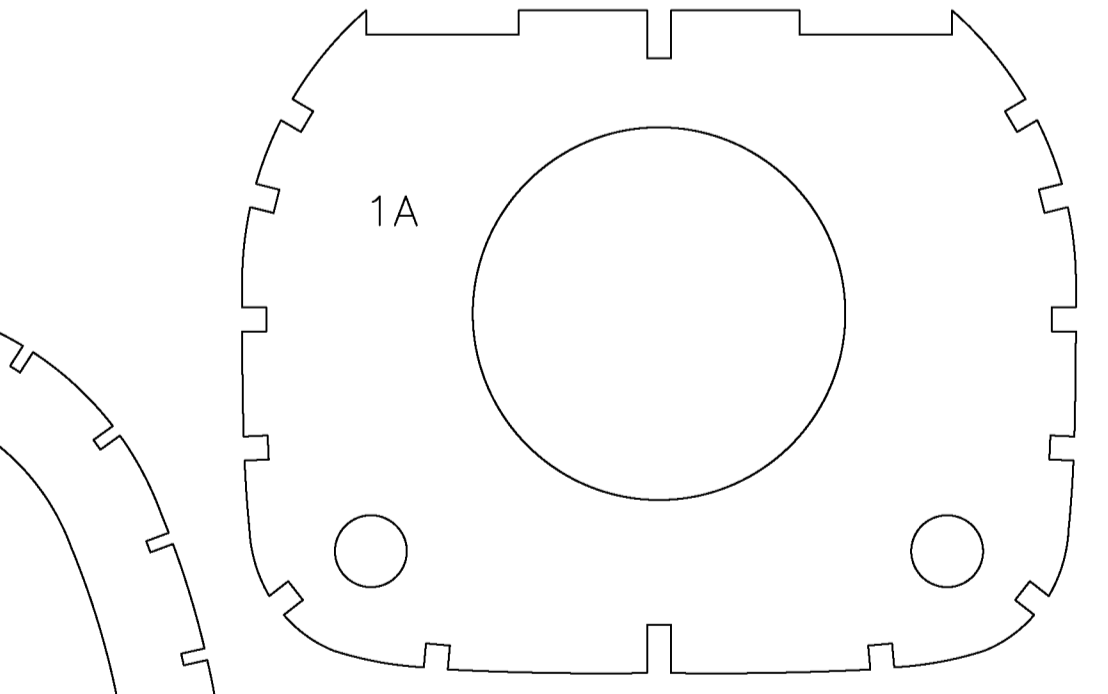
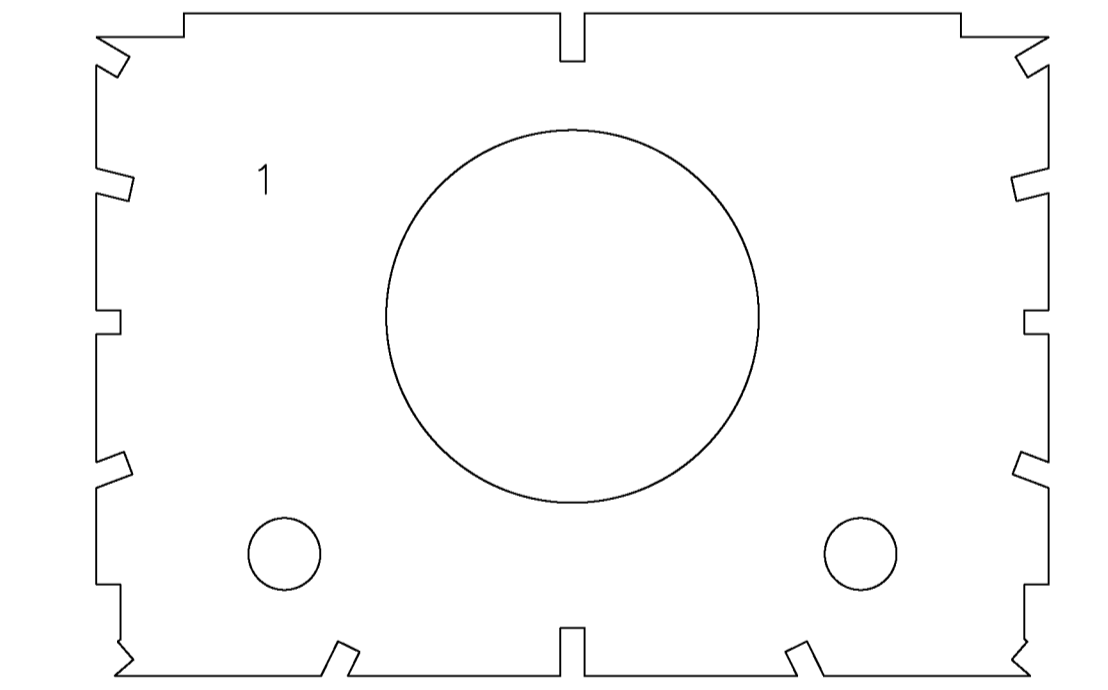
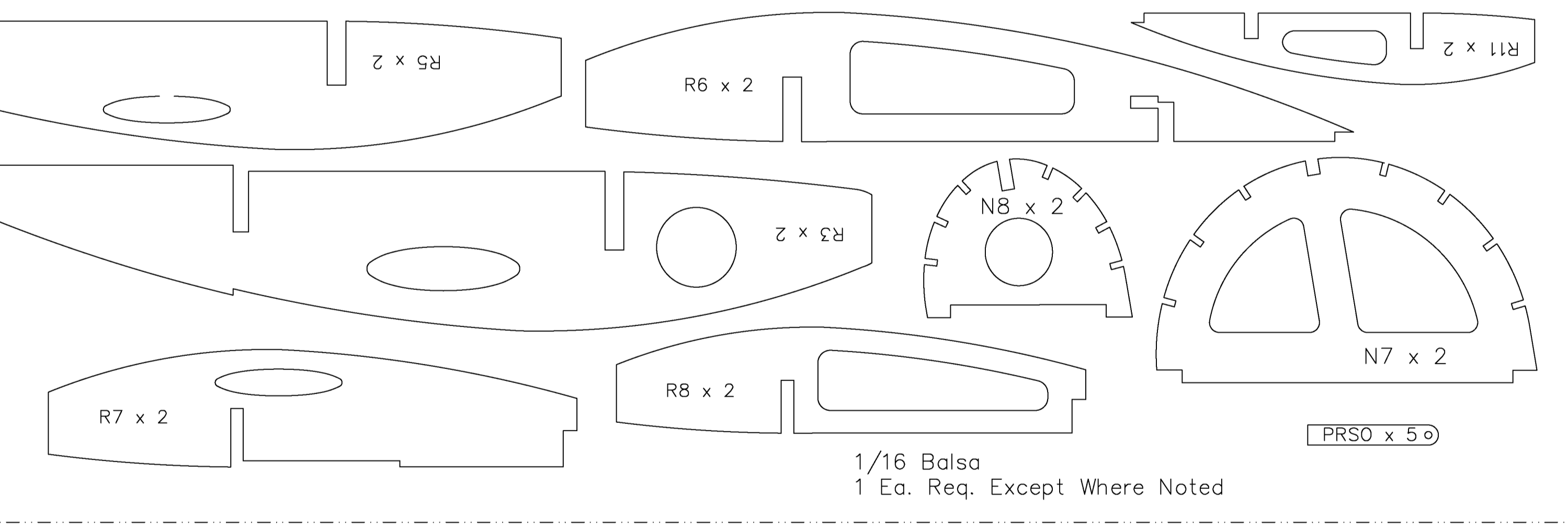
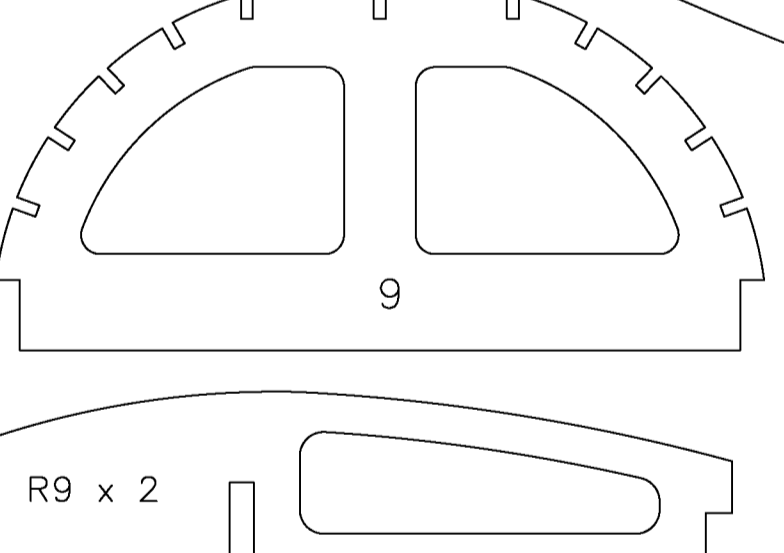
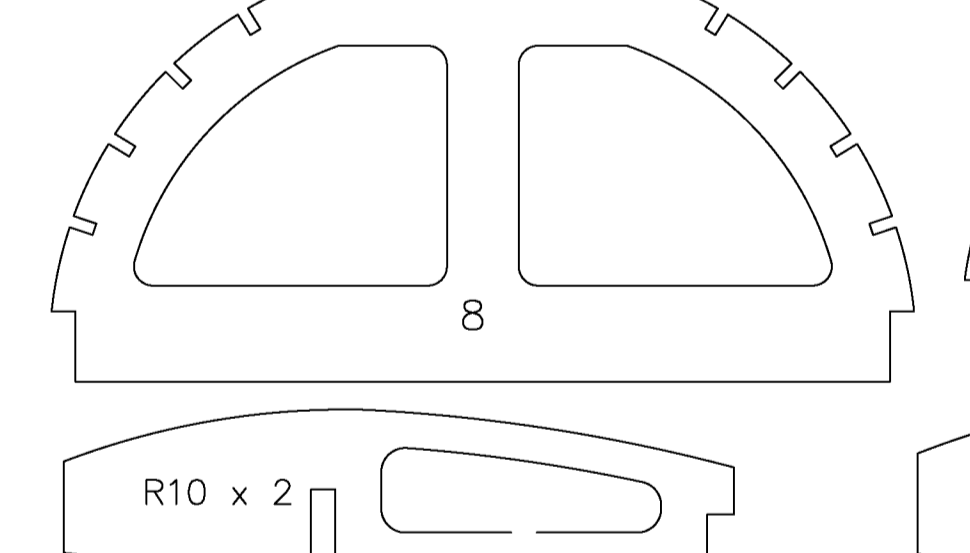
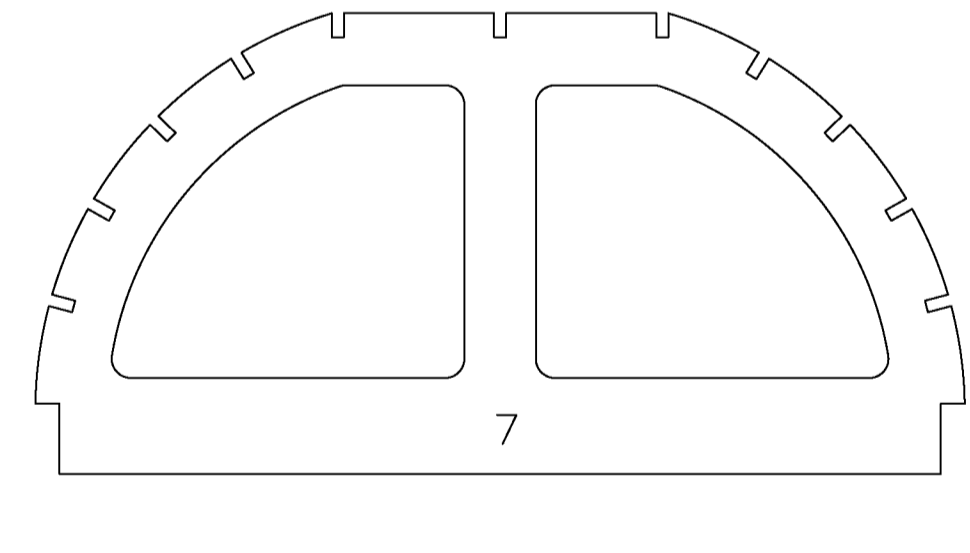
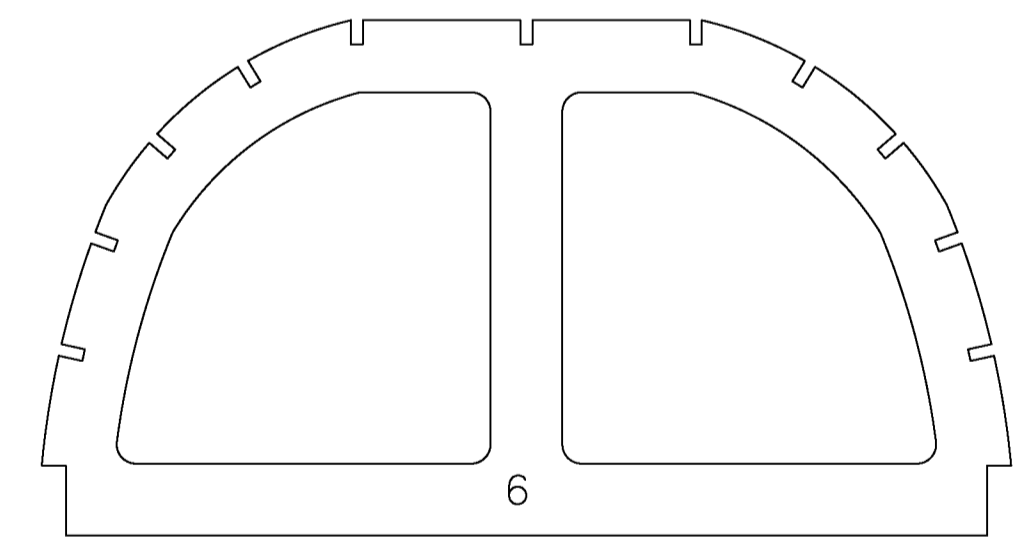
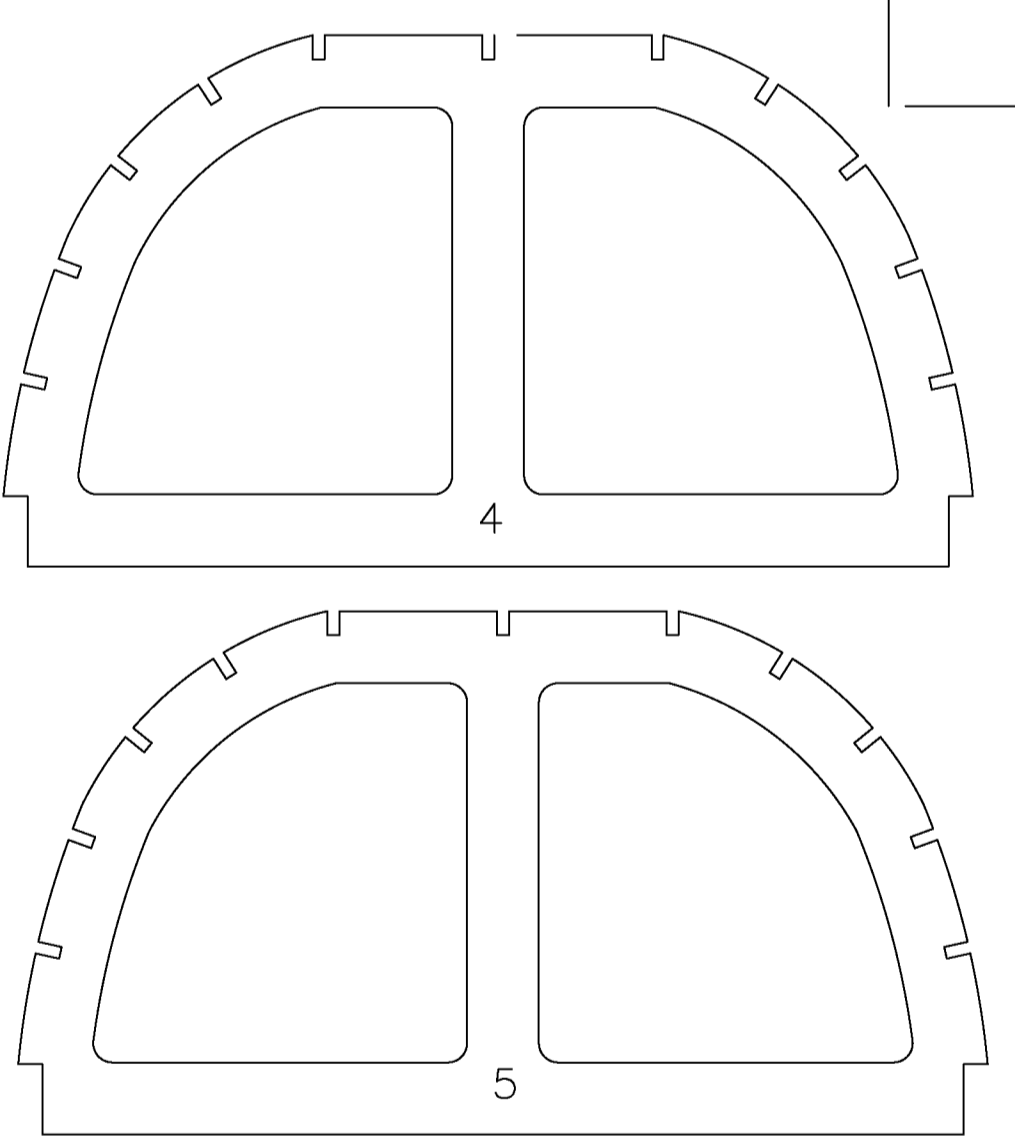
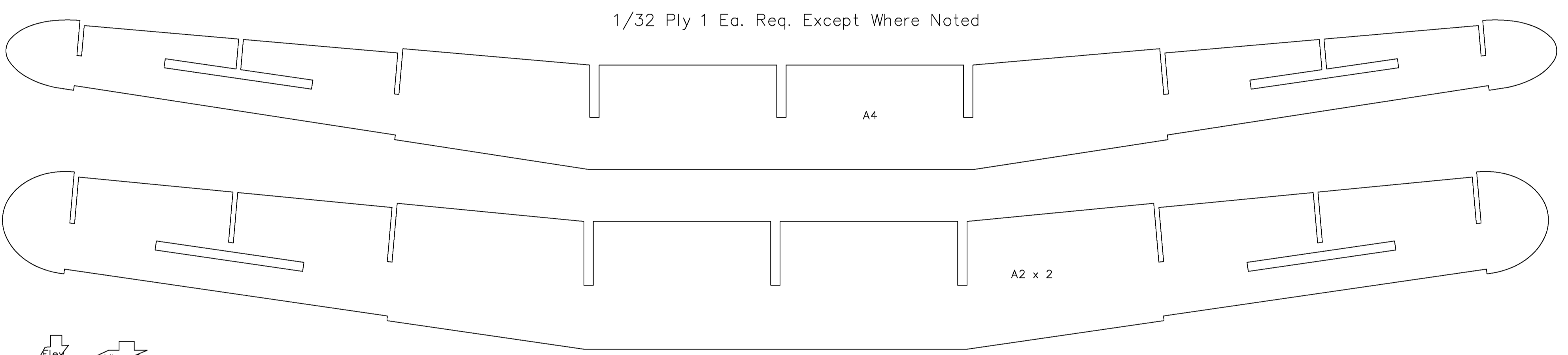
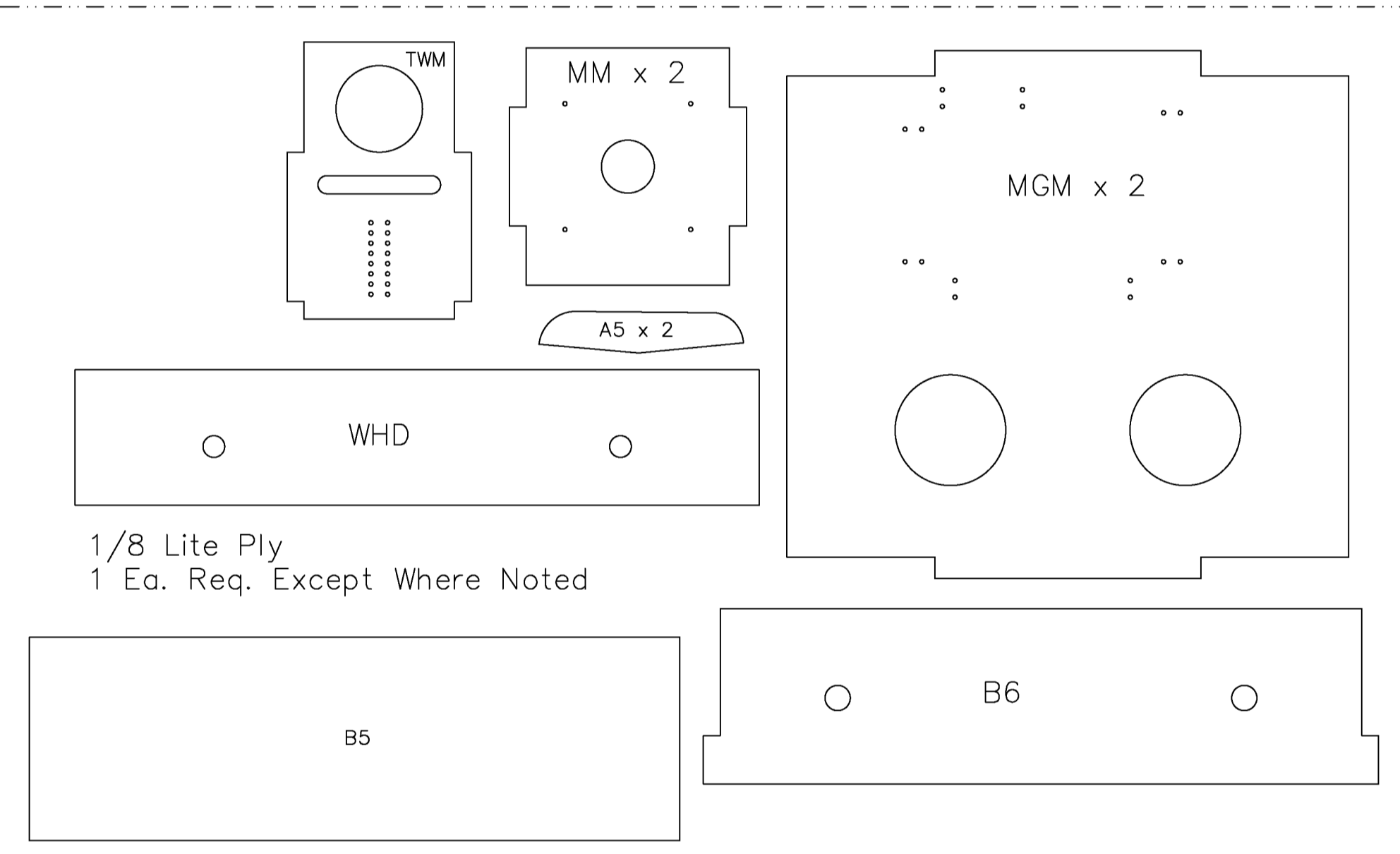
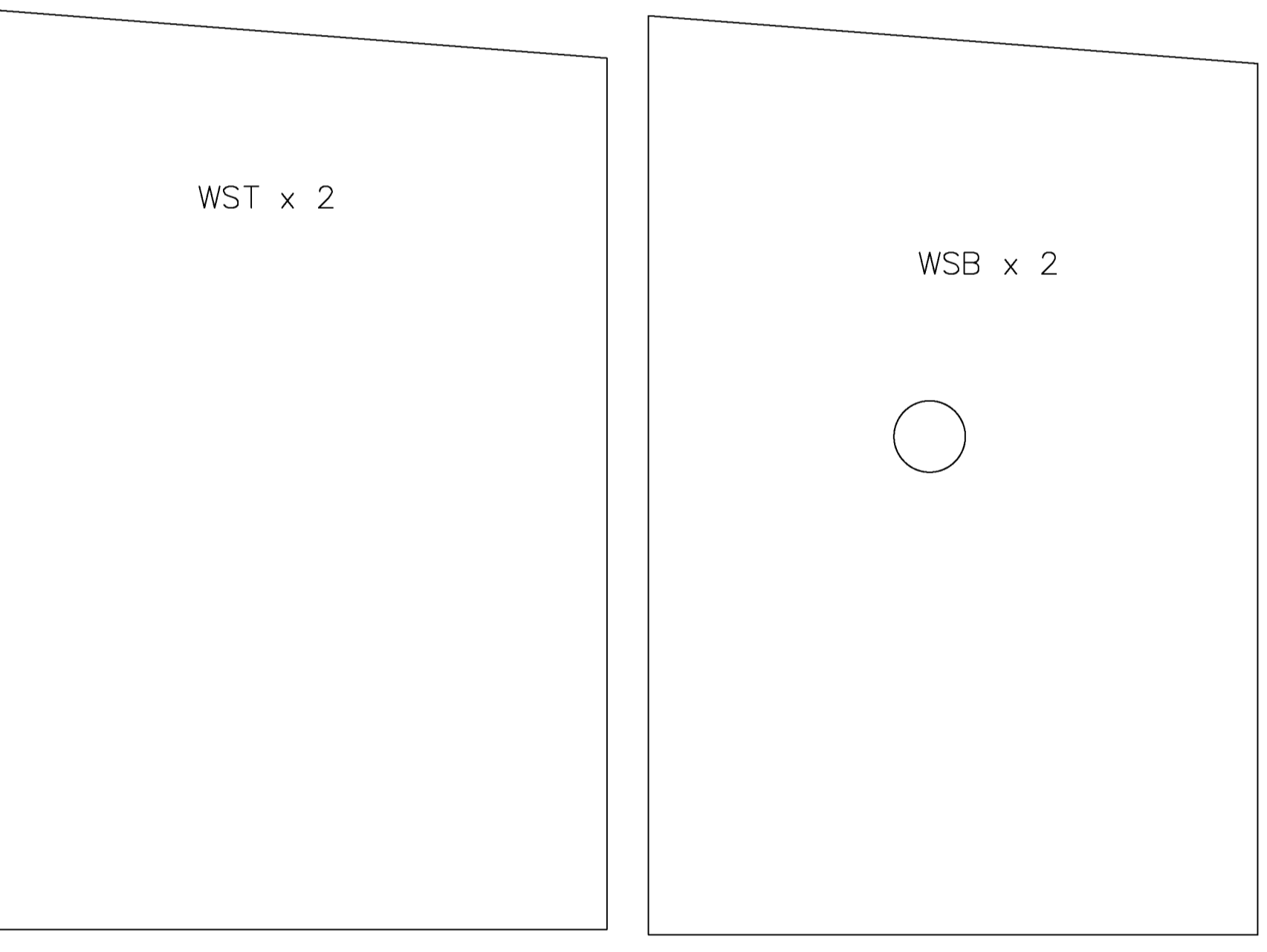
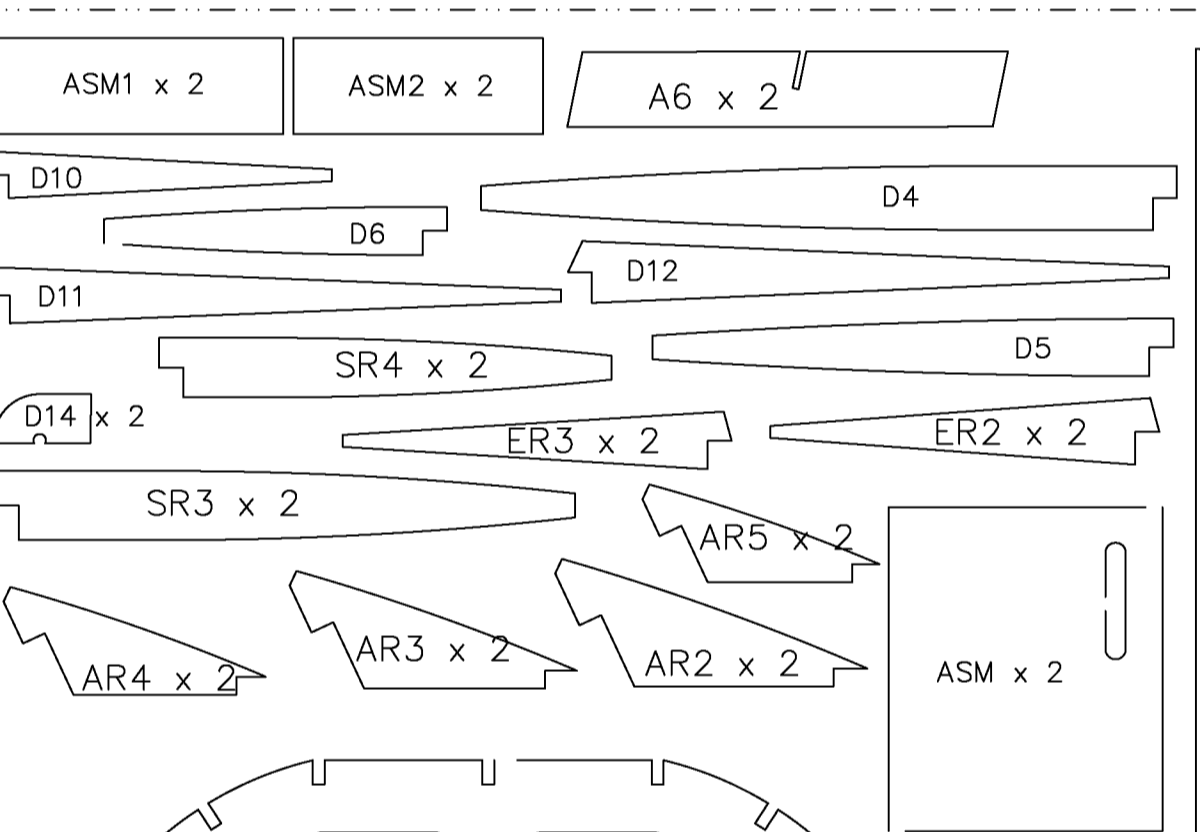
Copyright 2021 and ModelAviation
Copying for resale of this drawing without the written approval or consent of AMA is expressly prohibited.

Plan No. 1125

Beech AT-10 Wichita	
Span: 50"	Area 377 Sq. In.
Length: 36 1/2"	
Flying Weight: 33 Oz.	
Wing Ldg: 13.3 Oz./ Sq. Ft.	
Designed by: Pat Tritle	
Sheet 1 of 3 © 5/15/2020	



Copyright 2021 and ModelAviation
 Copying for resale of this drawing without the written approval or consent of AMA is expressly prohibited.



1/8 Balsa 1 Ea. Req. Except Where Noted

Beech AT-10 Wichita	
Span: 50"	Area 377 Sq. In.
Length: 36 1/2"	
Flying Weight: 33 Oz.	
Wing Ldg: 13.3 Oz./ Sq. Ft.	
Designed by: Pat Tritle	
Sheet 3 of 3 © 5/15/2020	