

SCALE PROP

BACK OF NOSE BLOCK

PLATE 1.

1/32" SQ. BAMBOO FRAMEWORK

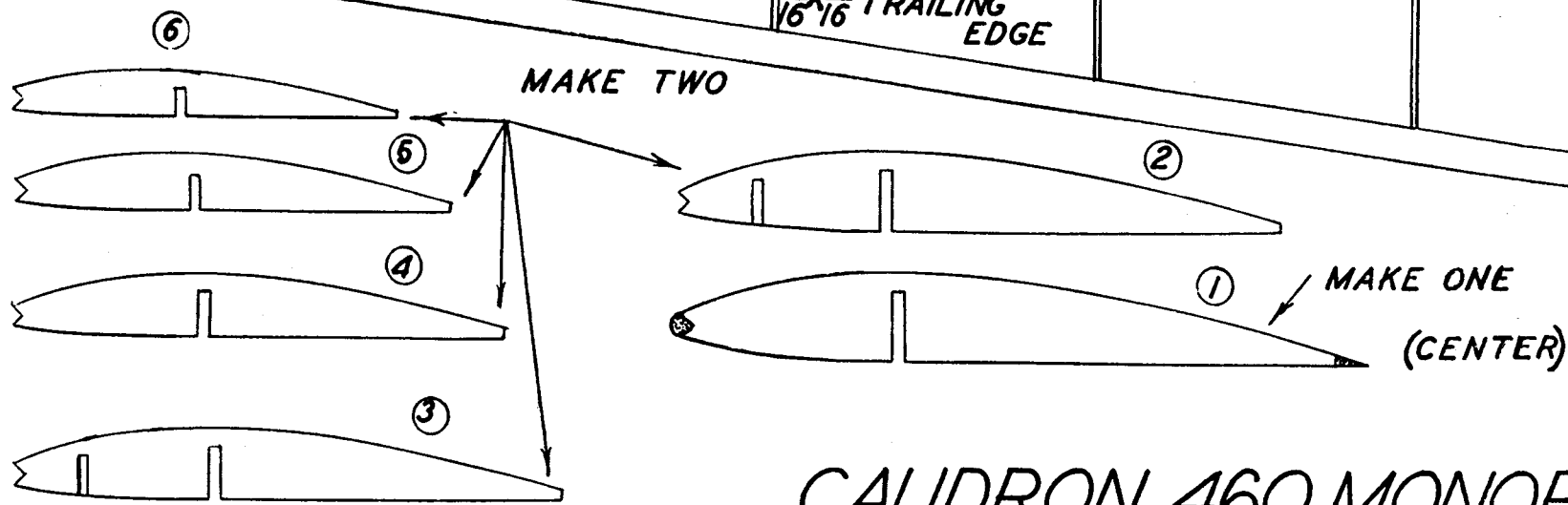
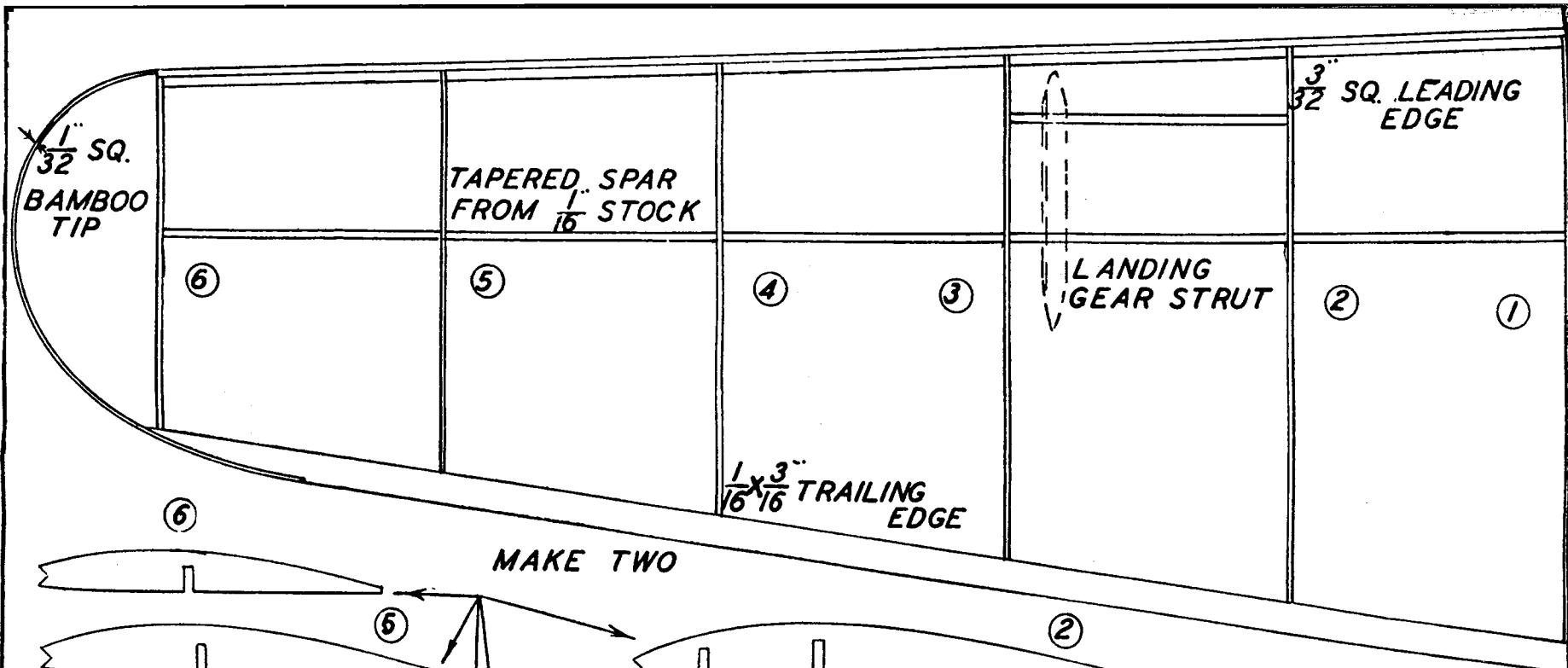
1/32 x 1/16" Balsa glued on the 1/64" sheet covering

LOUVERS

washers on the .029 prop shaft, and bend the end of it in the propeller. The spinner is notched to receive the hub and is cemented on the prop. For a simple scale prop for display purposes you can cut blades from thin wood and glue them on a spinner.

3/32" SQ. Balsa

BUILD THE CAUDRON RACER—Plan 1



ALL RIBS OF $\frac{1}{32}$ " Balsa
 EXCEPT CENTER WHICH IS $\frac{1}{16}$ "

Paint the fuselage, tailblock, spinner, and landing gear with the color you selected for the wing. As these units are all wood you will find it necessary to give them two or more coats of dope.

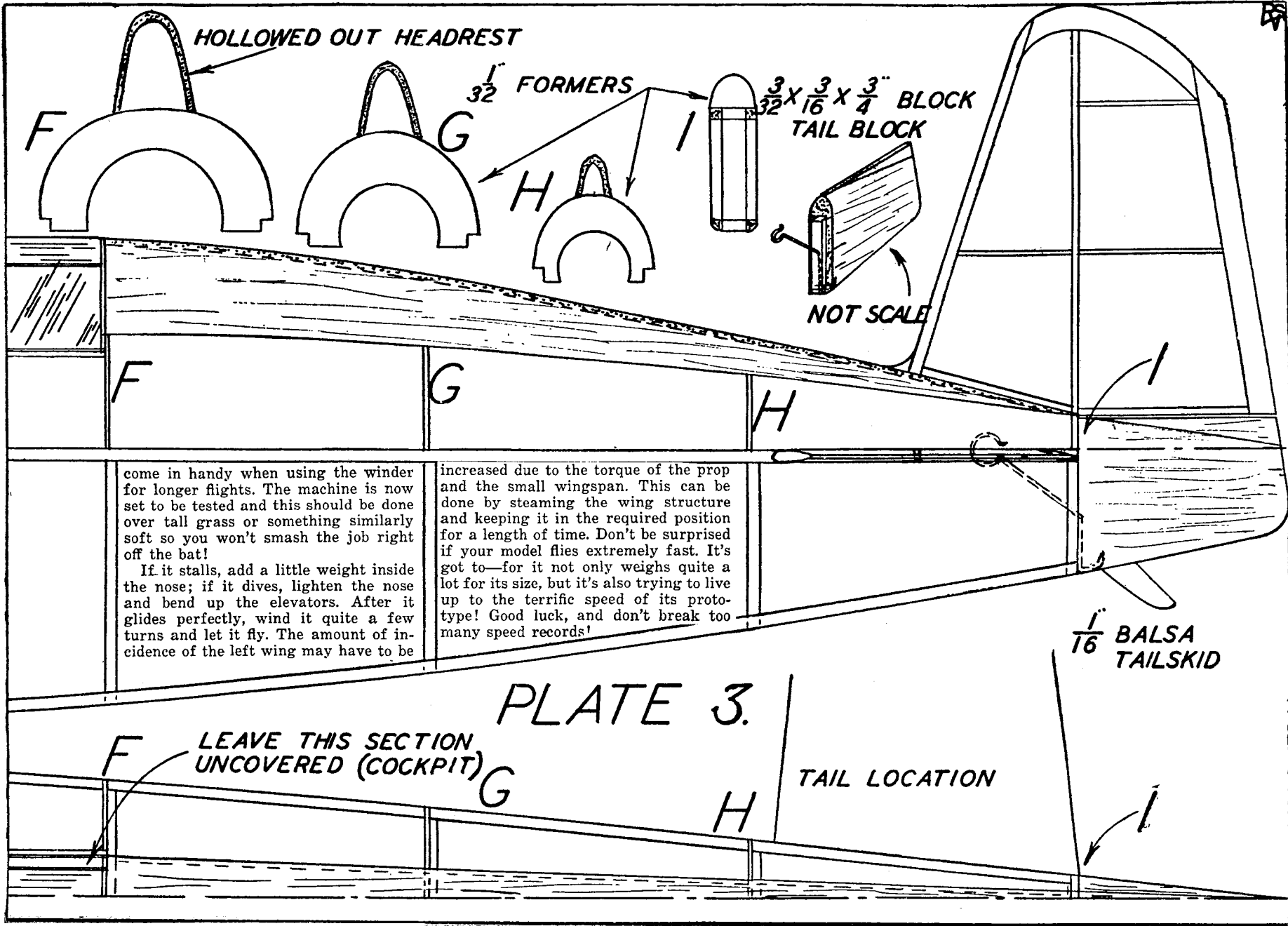
the empennage. Louvers can be either painted on, or cut in, the nose of the ship.

CAUDRON 460 MONOPLANE

EQUIPPED WITH SIX CYLINDER RENAULT
 ENGINE DEVELOPING 330 HORSE POWER

The discs of the wheels are painted silver and the tires black. A big numeral 6 should be put on the body and the upper side of the left wing, while the script, "Avions Caudron" should go on

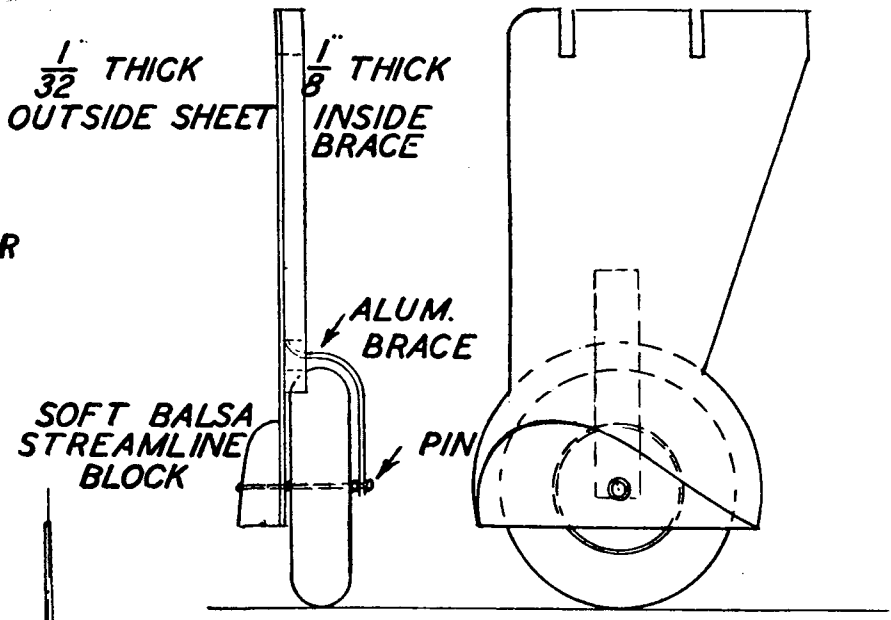
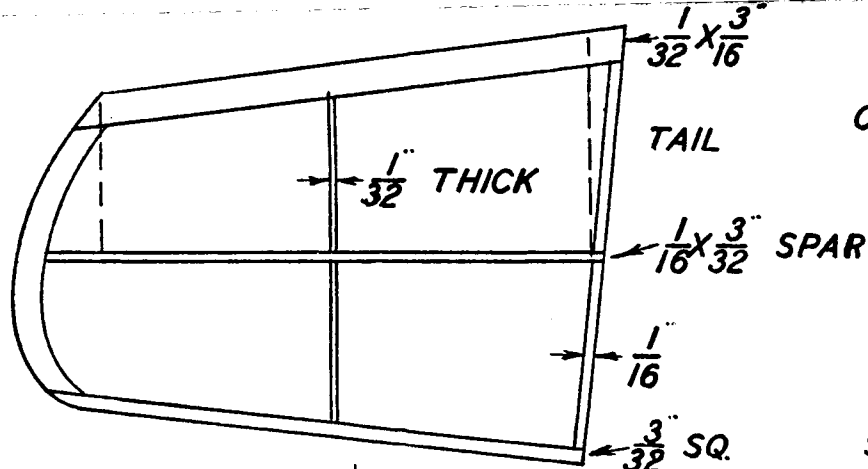
PLATE 2.



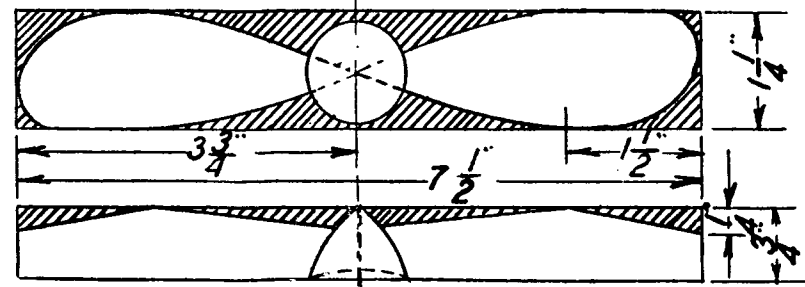
come in handy when using the winder for longer flights. The machine is now set to be tested and this should be done over tall grass or something similarly soft so you won't smash the job right off the bat!

If it stalls, add a little weight inside the nose; if it dives, lighten the nose and bend up the elevators. After it glides perfectly, wind it quite a few turns and let it fly. The amount of incidence of the left wing may have to be

increased due to the torque of the prop and the small wingspan. This can be done by steaming the wing structure and keeping it in the required position for a length of time. Don't be surprised if your model flies extremely fast. It's got to—for it not only weighs quite a lot for its size, but it's also trying to live up to the terrific speed of its prototype! Good luck, and don't break too many speed records!



$1\frac{1}{4}$ DIAM. BALSA WHEEL



FLYING PROPELLER

2 THRUST WASHERS

.029 MUSIC WIRE

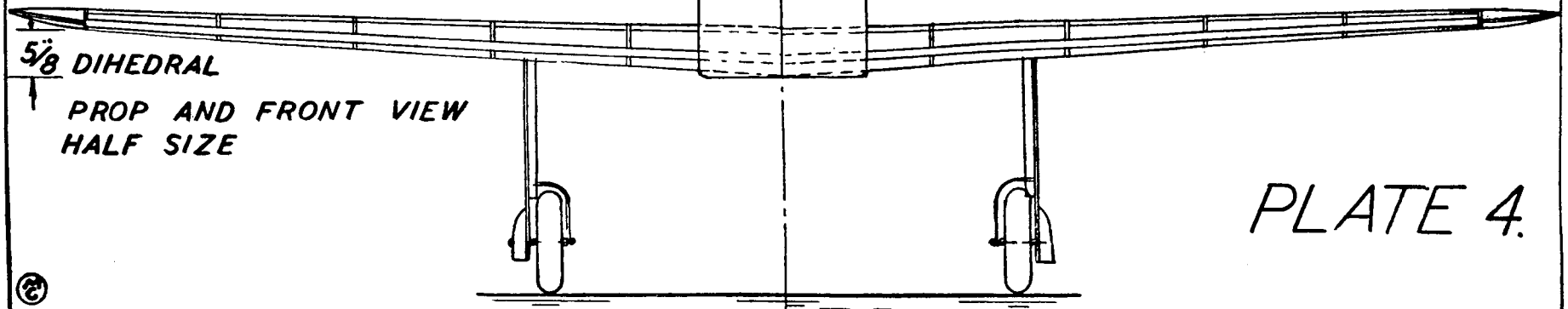


PLATE 4.

