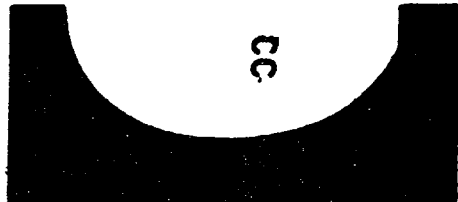


A part of each wing, nearest the root, is painted black (See the front view drawing). Landing gear may be painted silver. The gunsight tube directly in front of the pilot is painted black. The propeller is silver. Ailerons, tabs, and flaps are indicated by black India

A FLYING ACES MAGAZINE PLAN



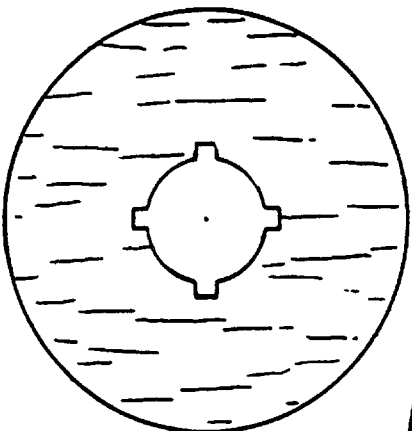
BB



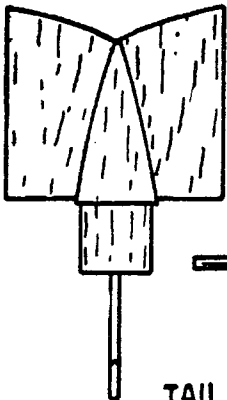
CC



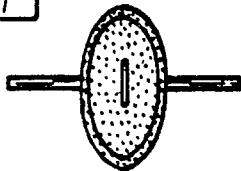
EE



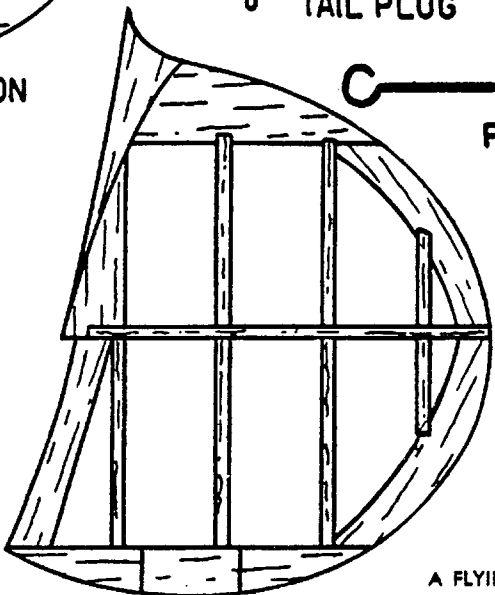
COWL SECTION



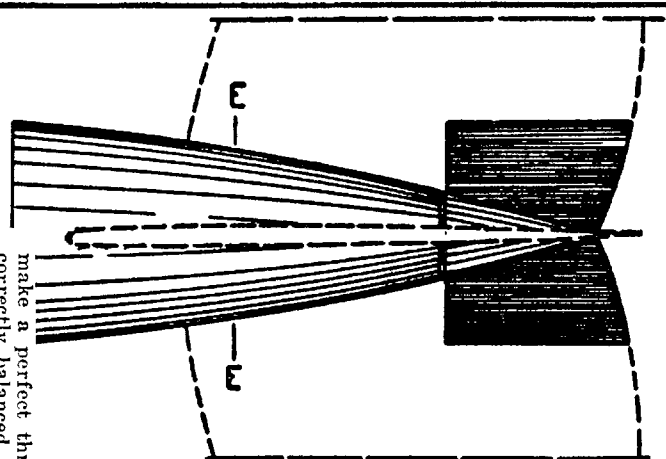
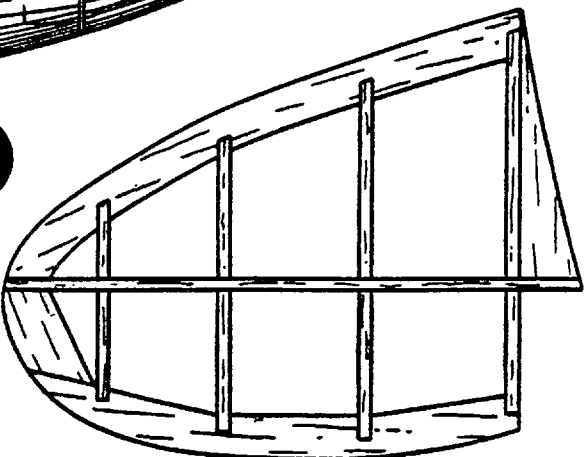
TAIL PLUG



PROP

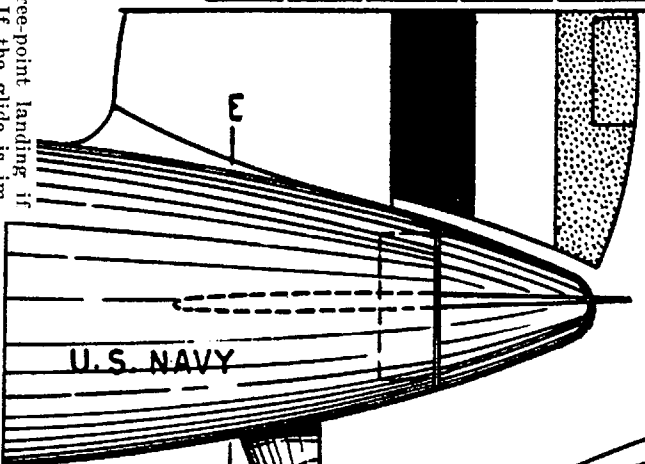


A FLYING ACES MAGAZINE PLAN



E

E



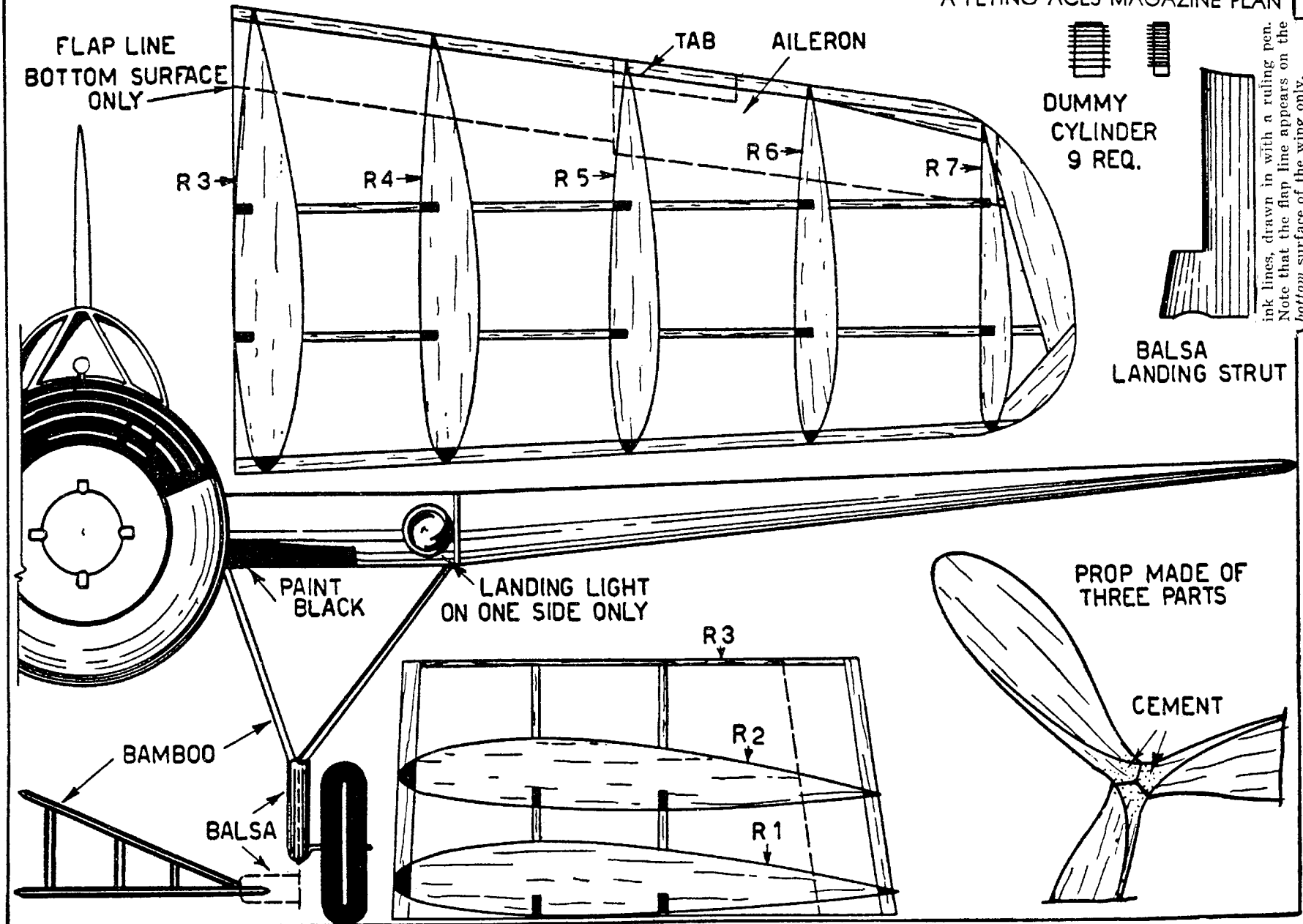
U.S. NAVY

E

TAIL WHEEL
STRUT



make a perfect three-point landing if correctly balanced. If the glide is imperfect, balance the model with clay or correct the line of flight by warping the tail surfaces.
Examine the model after each landing to prolong the life span of the ship.



ink lines, drawn in with a ruling pen. Note that the flap line appears on the bottom surface of the wing only.

To fly the model XSBA-1, use four strands of 3/8" flat rubber with about one inch of slack. Wind, and glide the model into the wind. The ship should