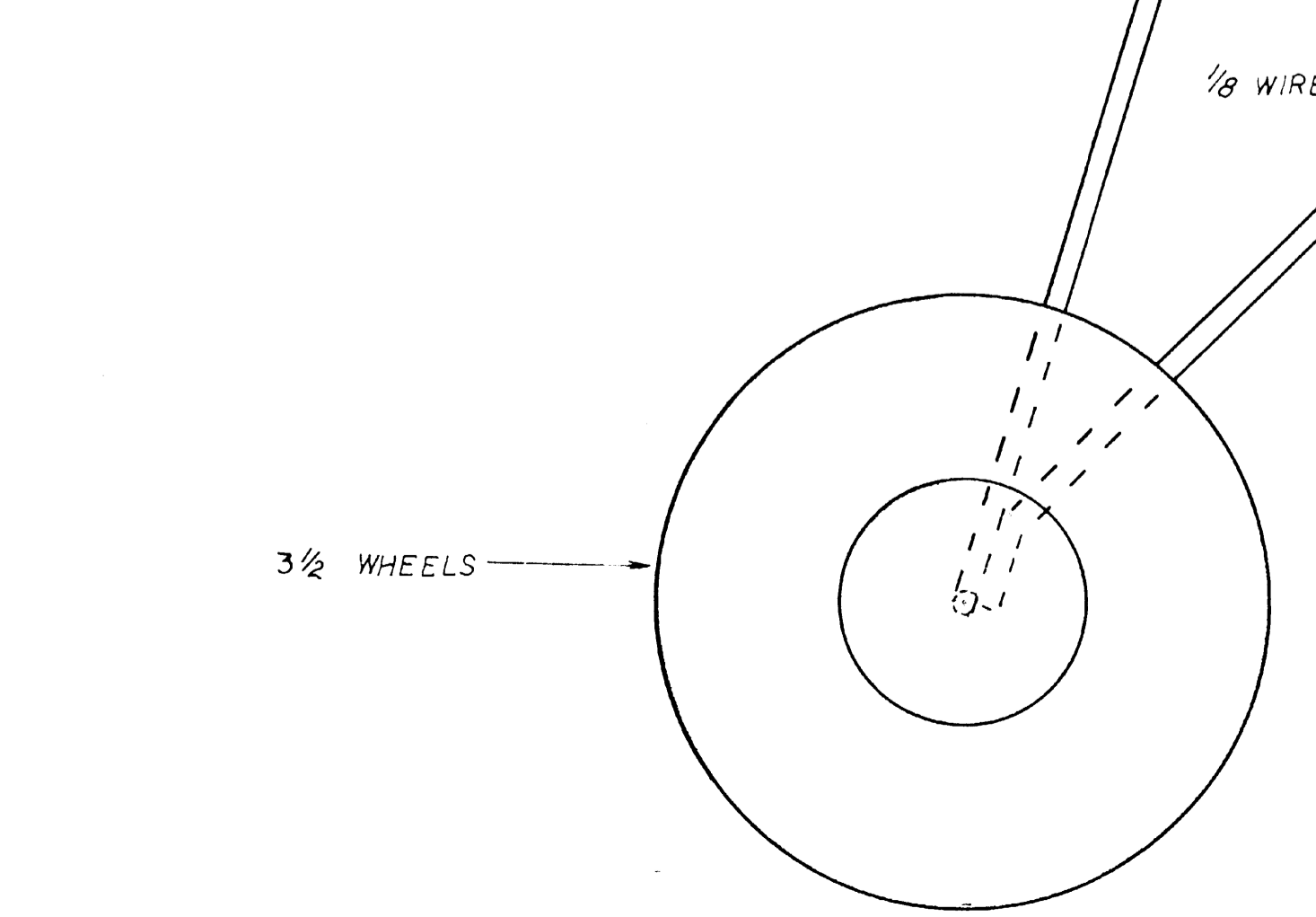
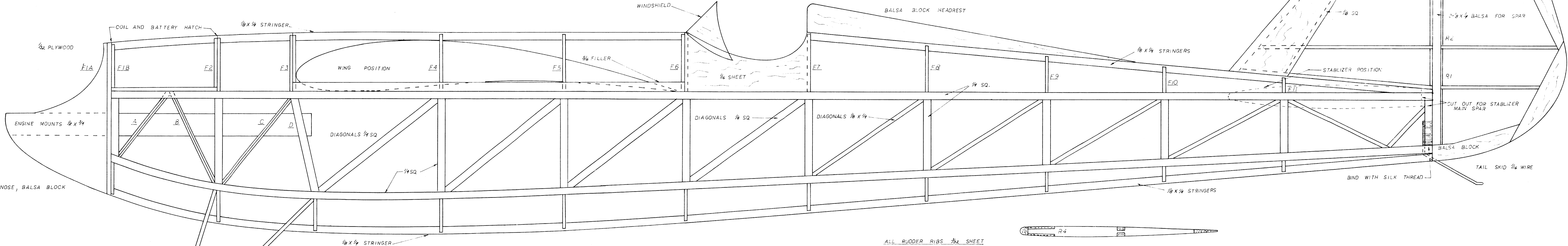
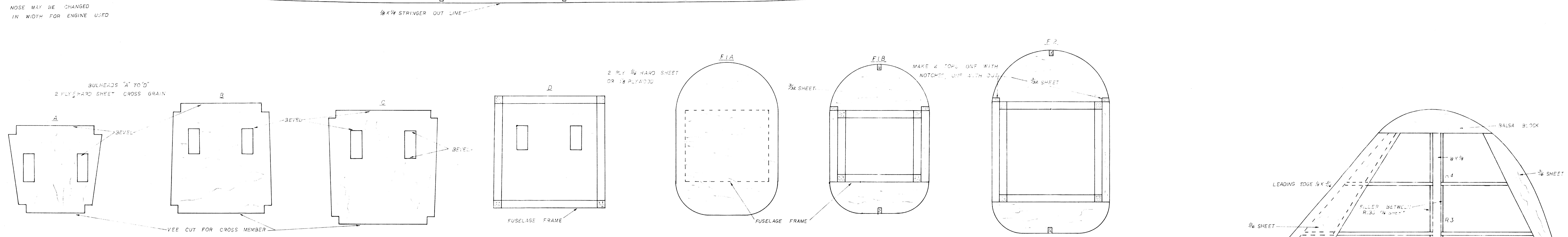


**NOTES**

STRINGER NOTCHES ARE CUT AFTER ALL BULKHEADS ARE CEMENTED IN PLACE. ALL 1/8 x 1/4 STRINGERS ARE PLOTTED FROM BULKHEAD NO. 4. LEAVE 1/8" OF THE STRINGER ABOVE ALL BULKHEADS

DO NOT CEMENT BULKHEADS 3 TO 6 TO TOP OF FUSELAGE FRAME. CHECK SIDE VIEW FOR EXTER 3 AND 6



**THE "CUMULUS"**

DRAWN BY BEN SHERESHAU

FLYING ACES, SEPTEMBER 1937

WING SPAN, 98 INCHES

PLATE 1 OF 2

