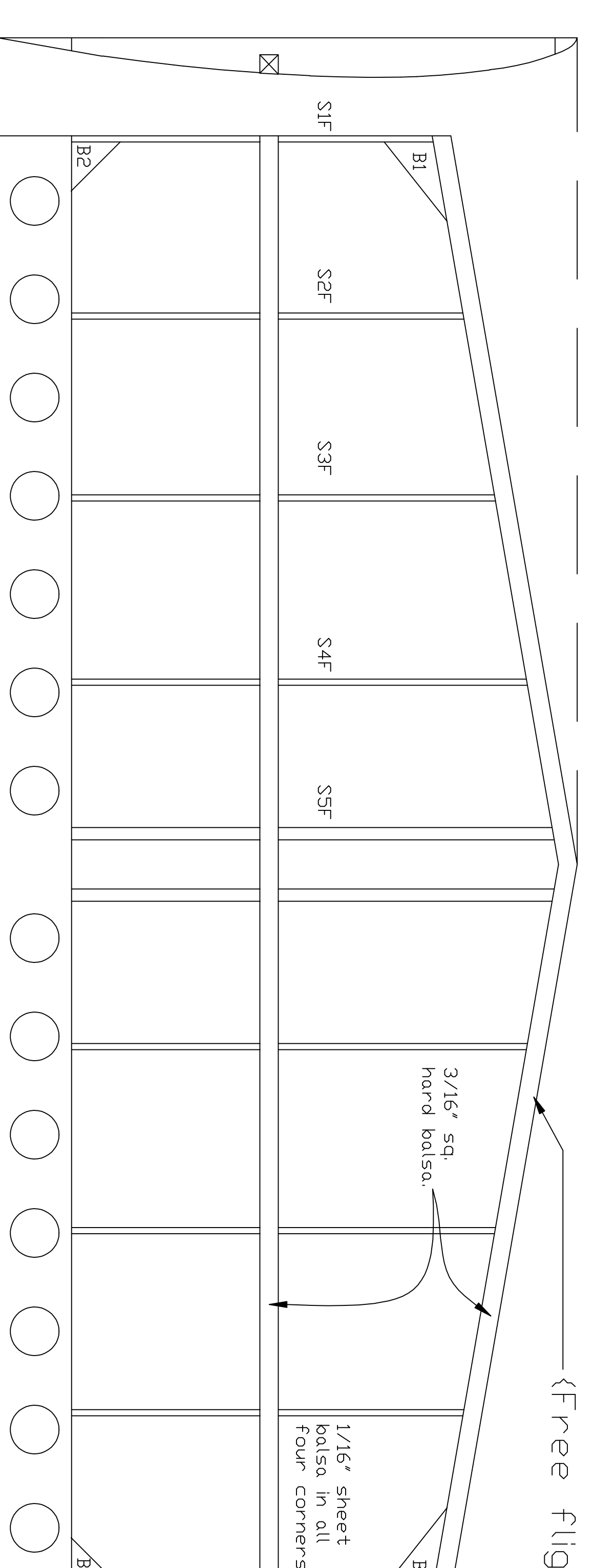
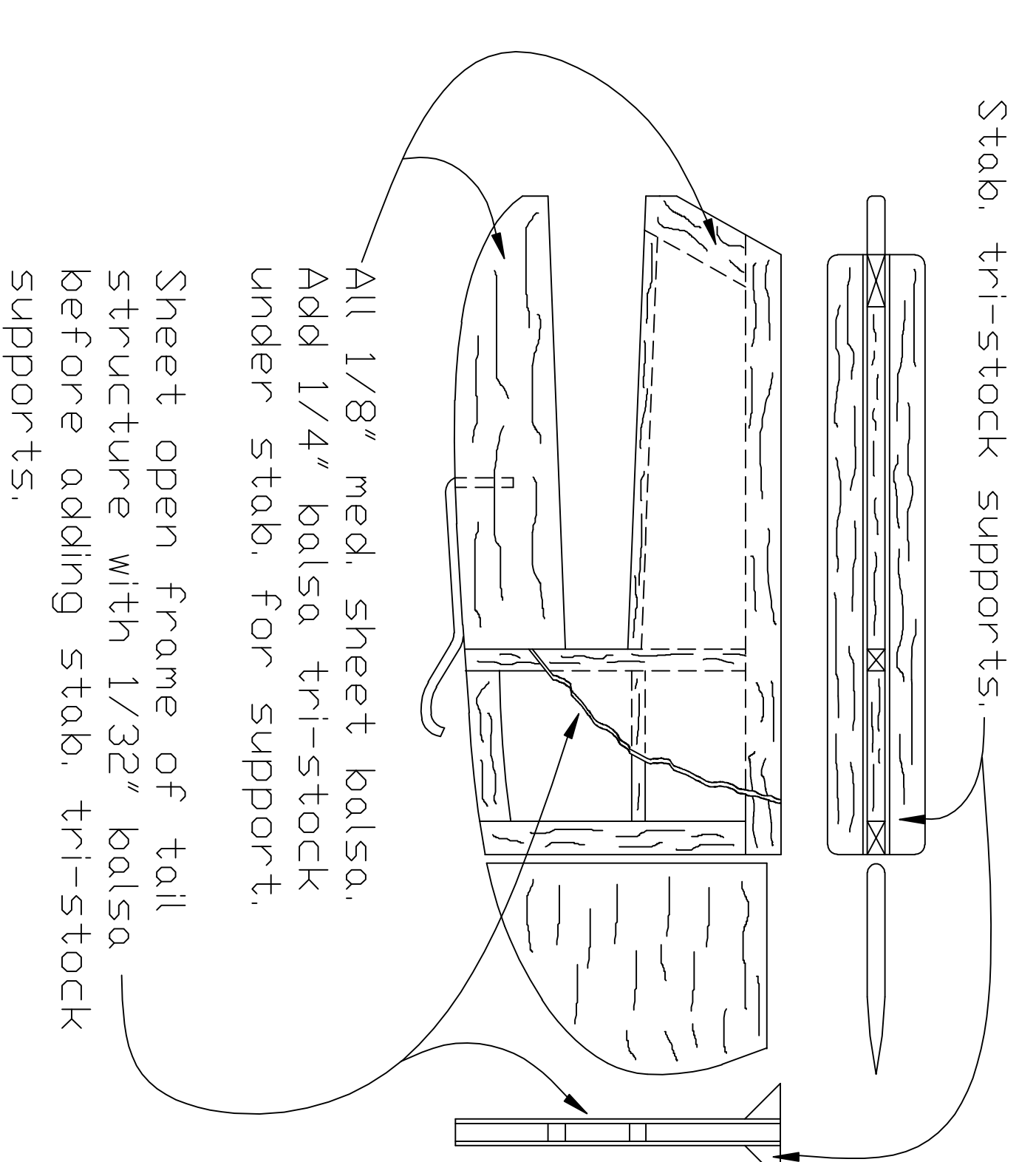
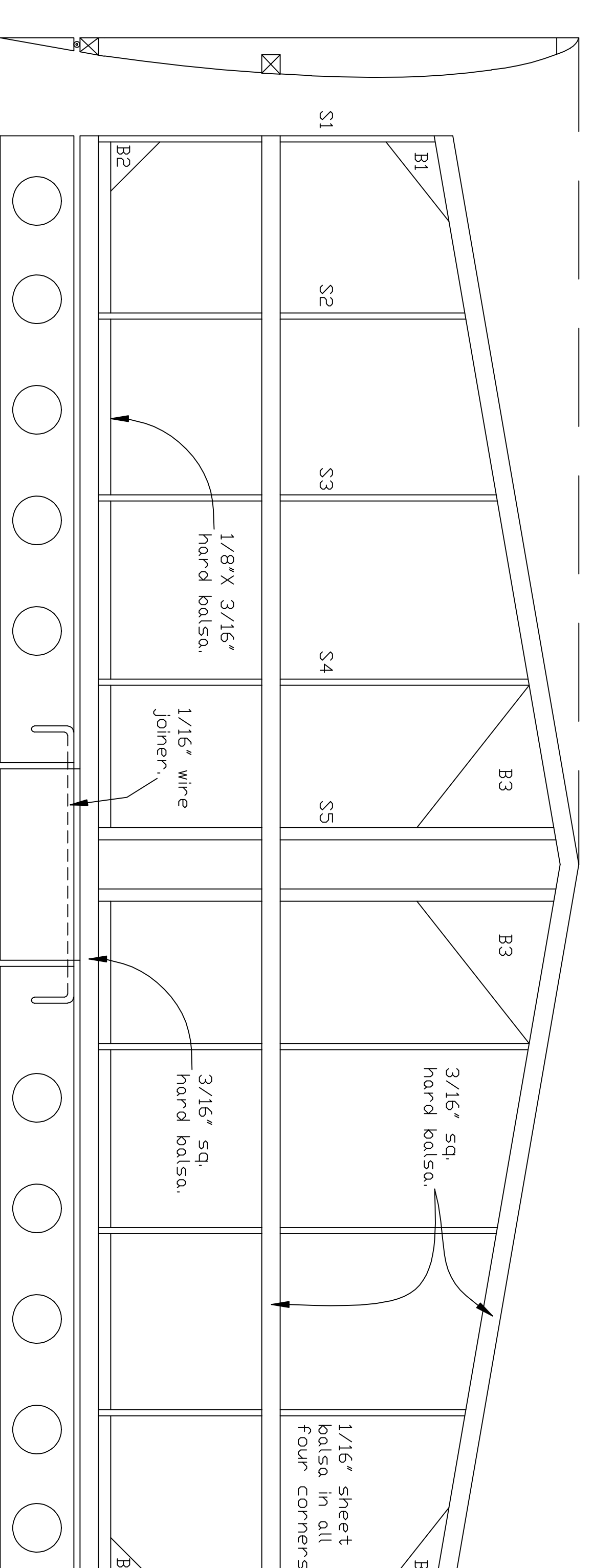
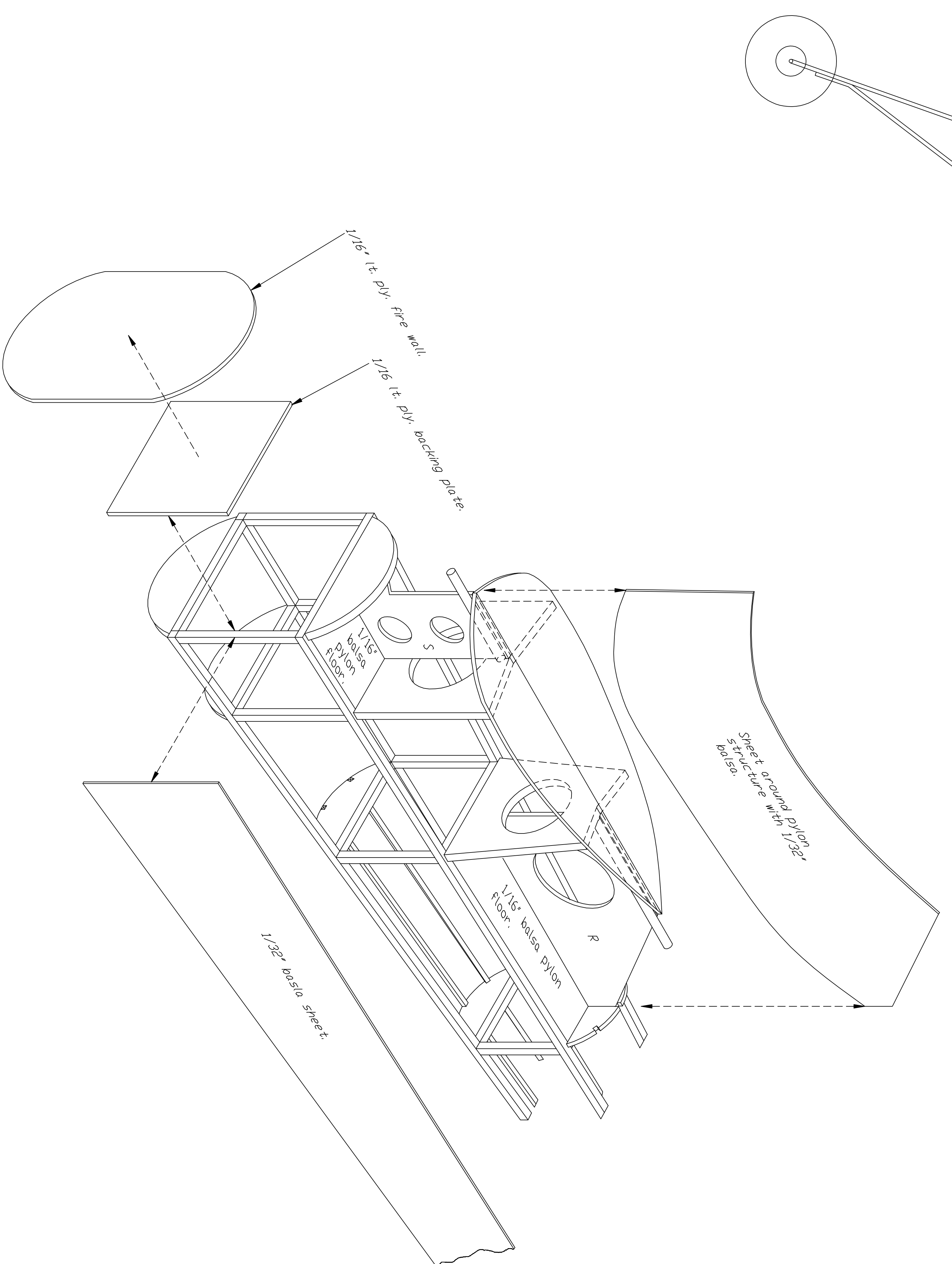
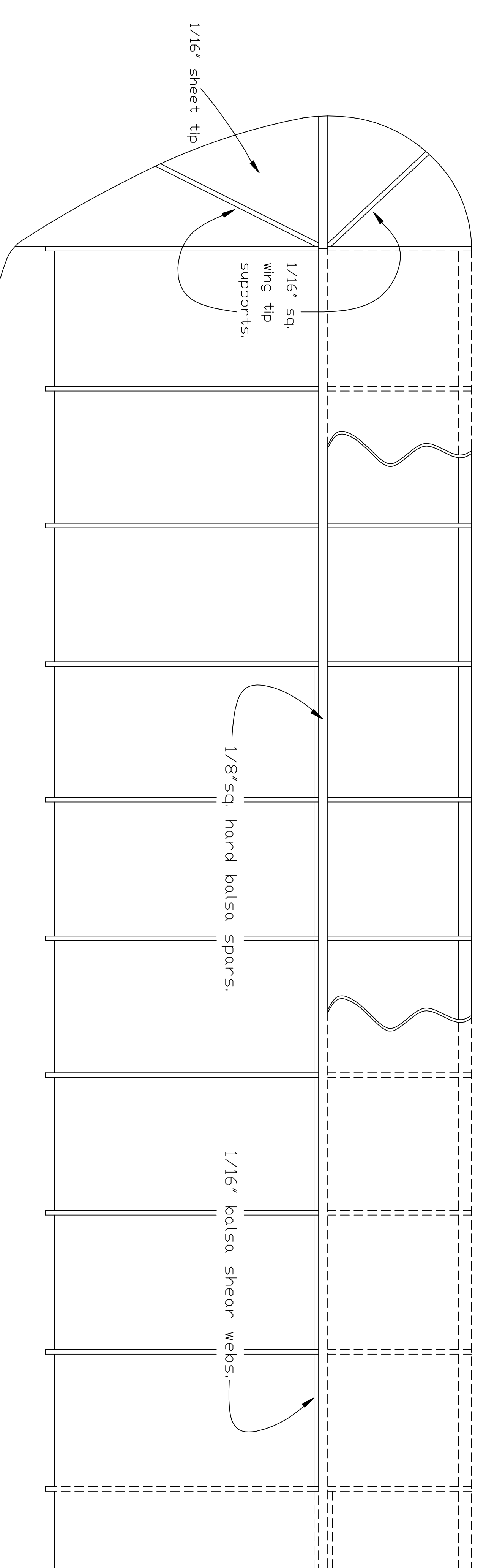
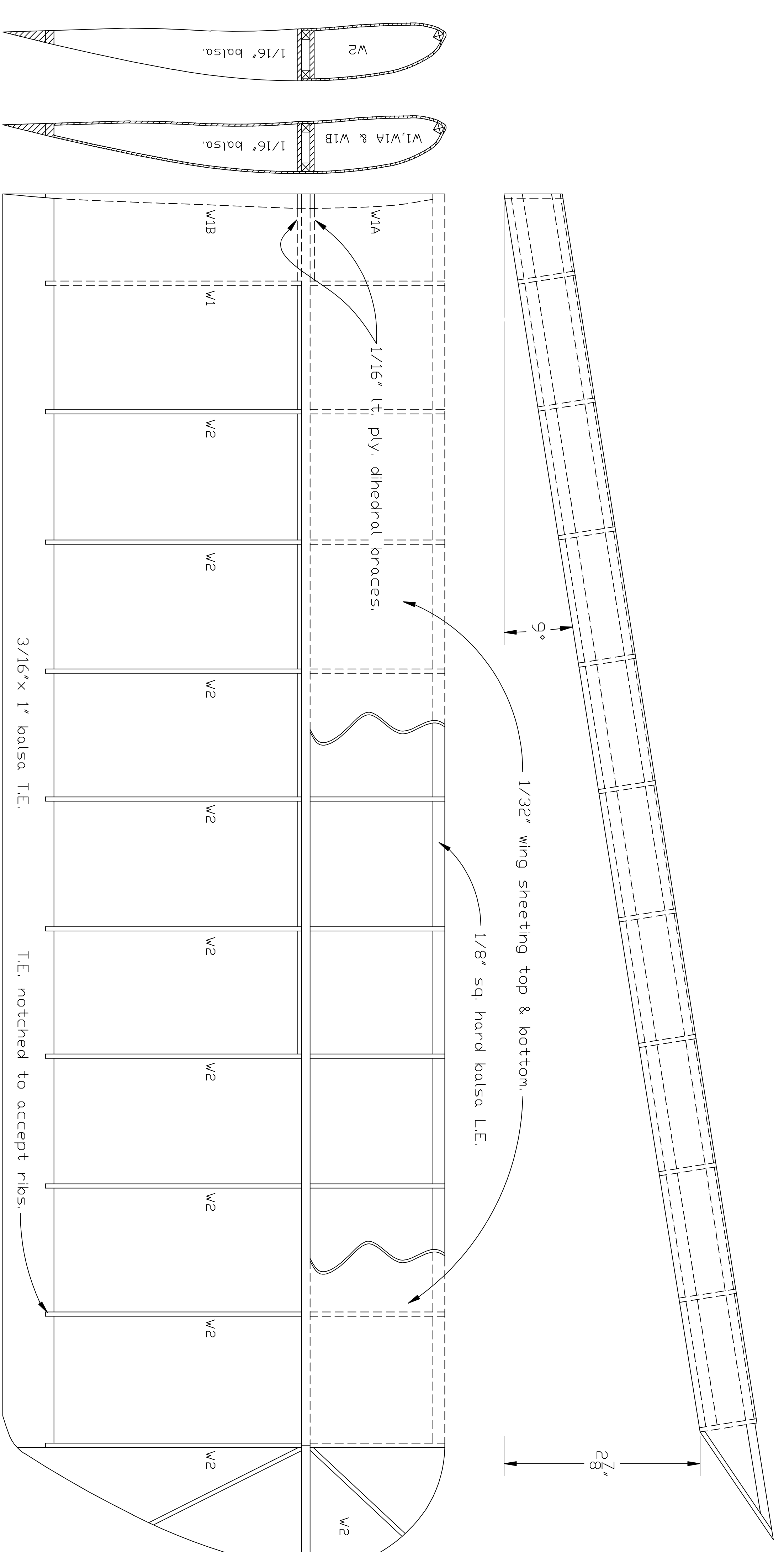
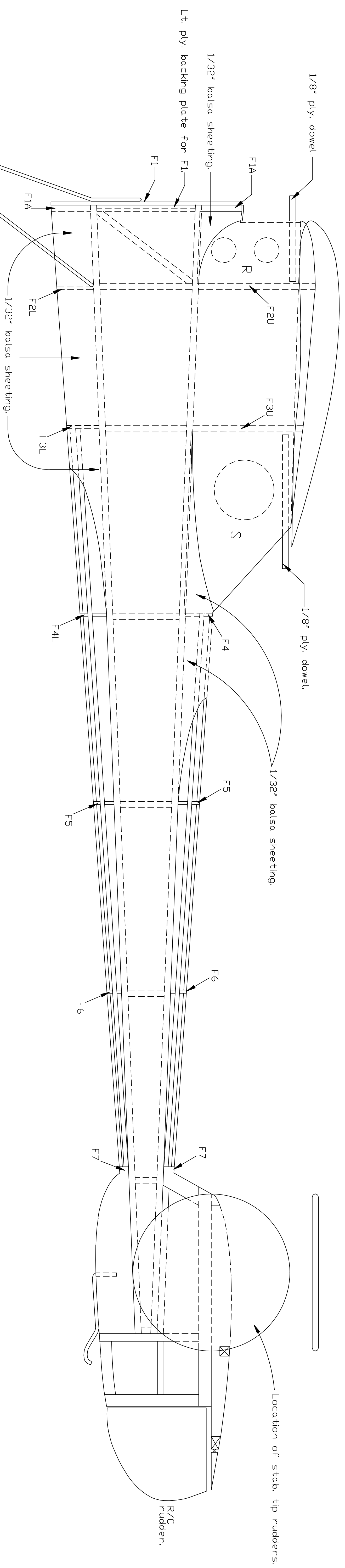


Construction notes:
 Longons are 1/8"sq hard balsa
 & the cross members are med.
 balsa. The stringers are 1/16" hard
 sq balsa. After const. 1/32" balsa
 is added to the fuse sides. Templates
 for this are located on the parts plan.



3/16" x 3/4" balsa TE.

