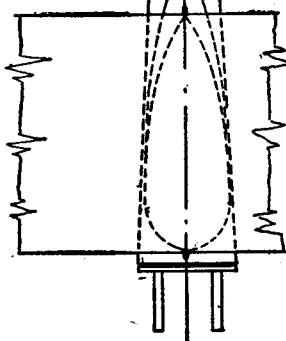
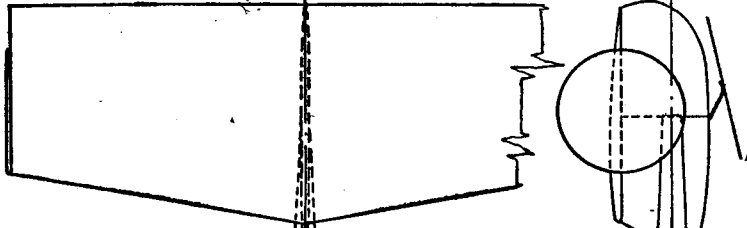
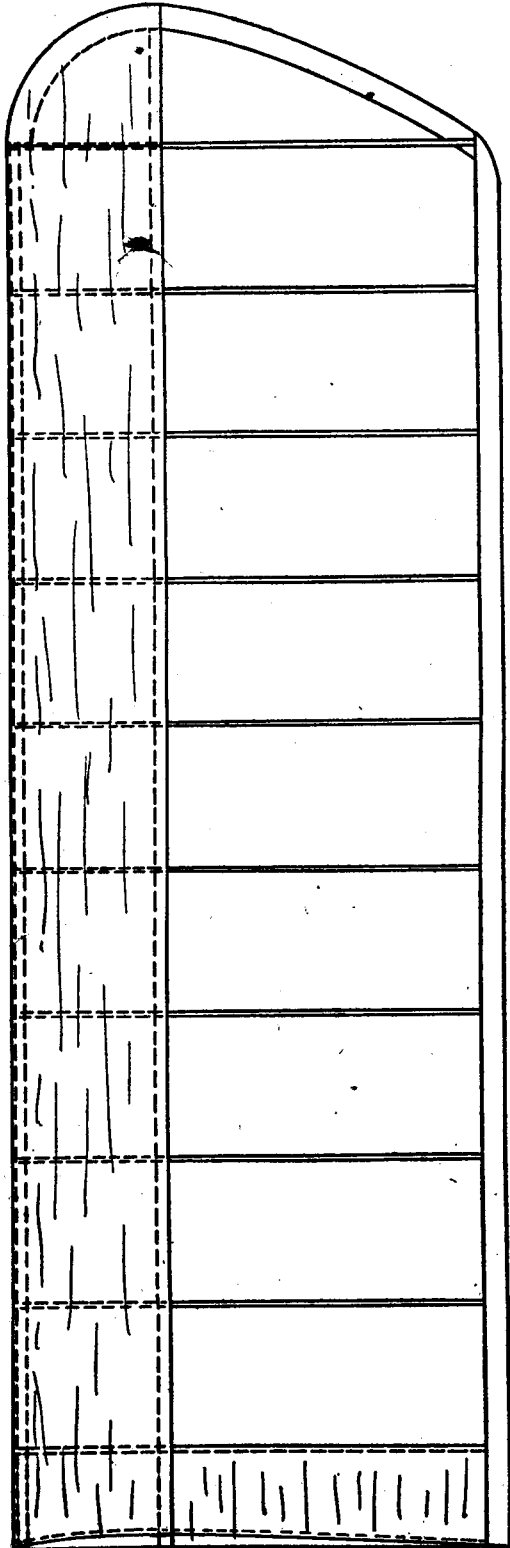
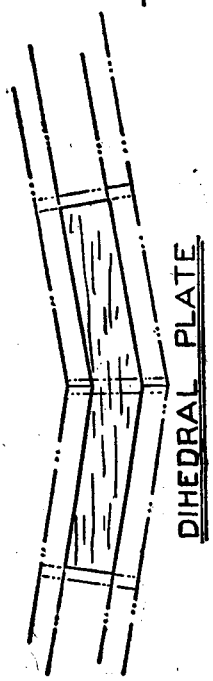
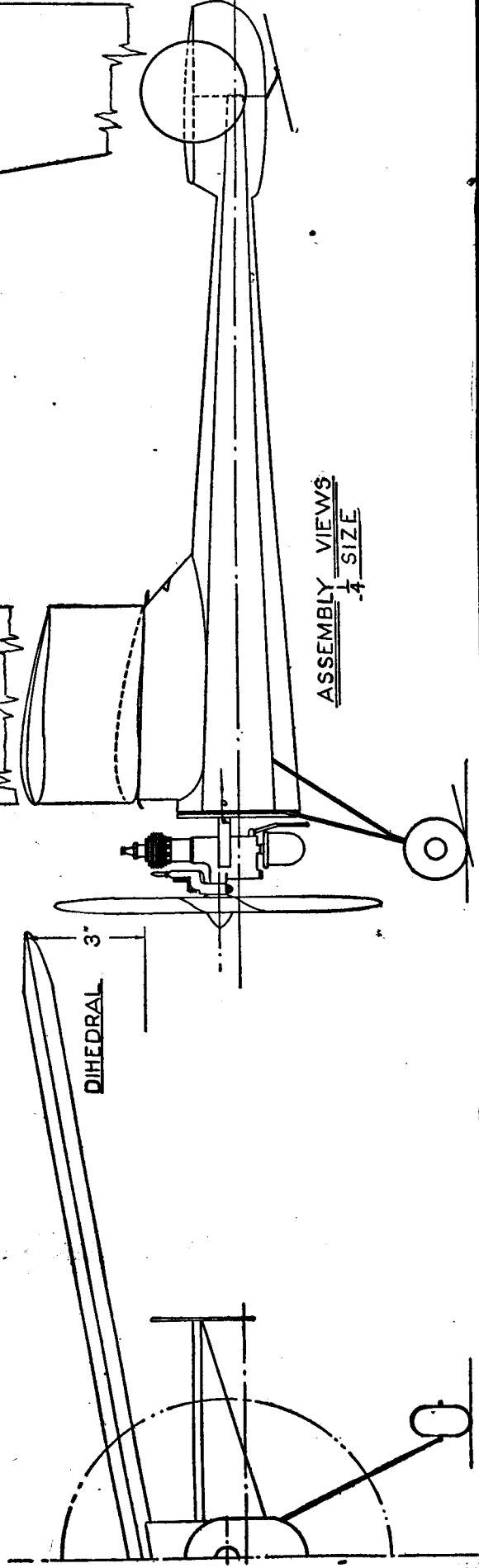


PLANS FOR THE "CHIHUAHUA"—Plate 1

RIGHT WING PLAN  
HALF SIZE



ASSEMBLY VIEWS  
.4 SIZE



DIHEDRAL 3°

