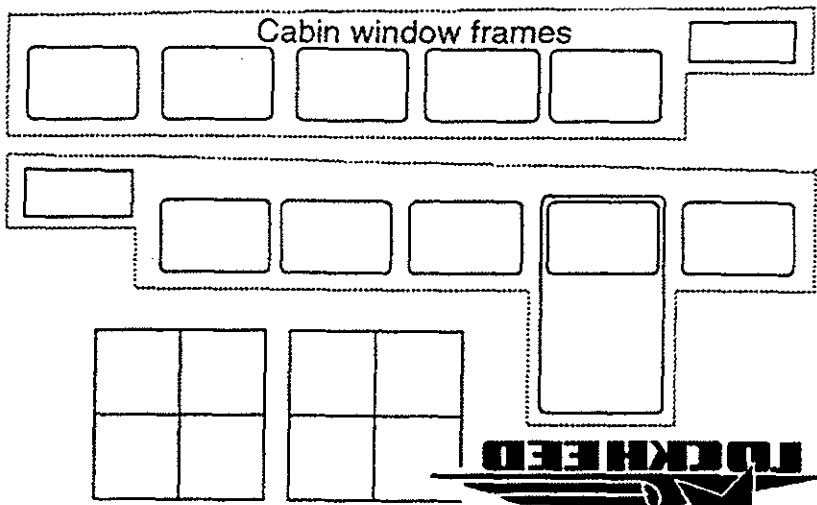
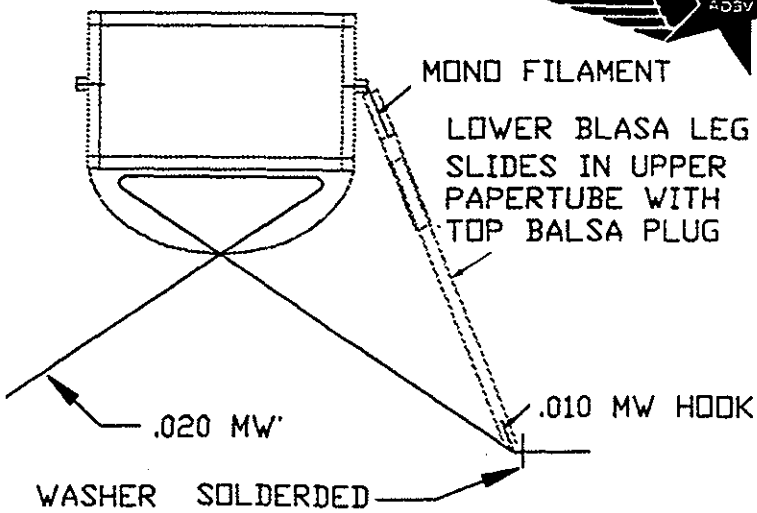


Stew's 1/16" balsa nose pieces



Cabin window frames



Slightly different nose detail on A18 kit version

