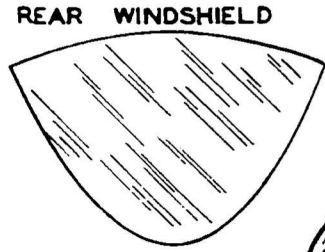
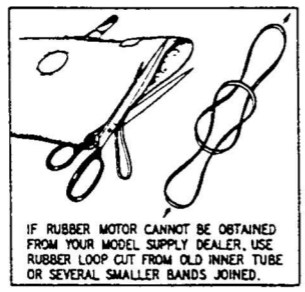
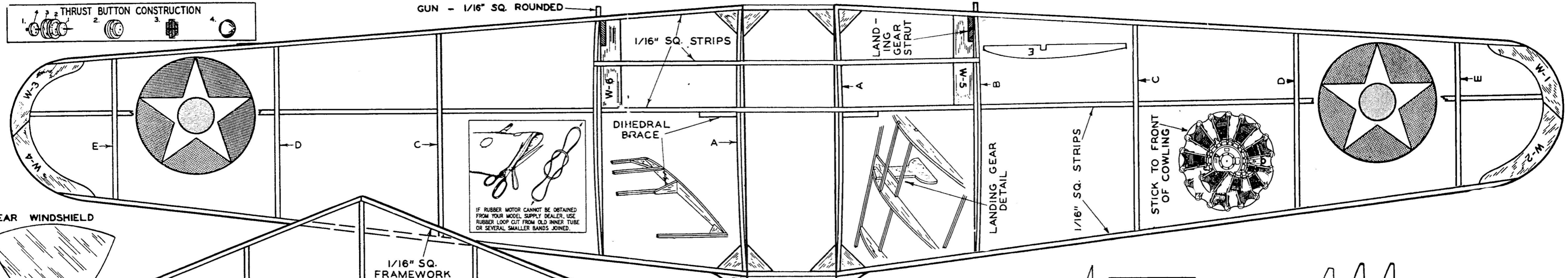
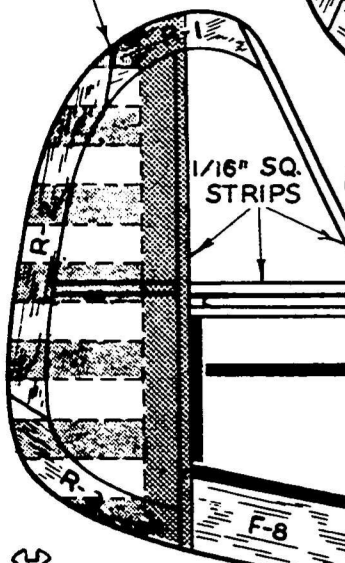


GUN - 1/16" SQ. ROUNDED

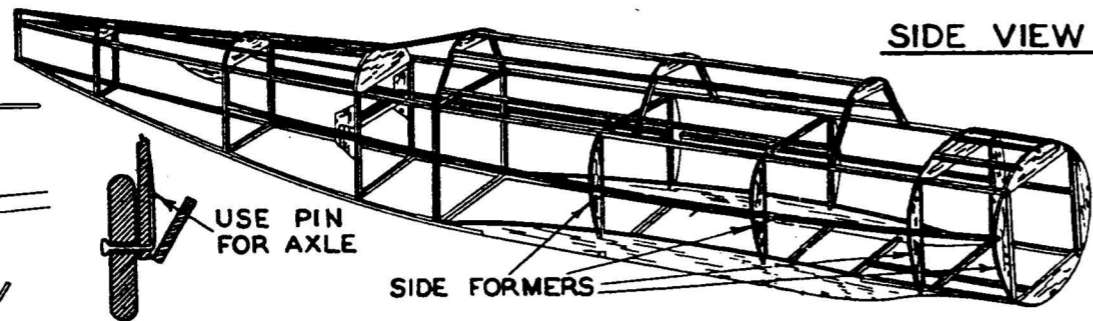
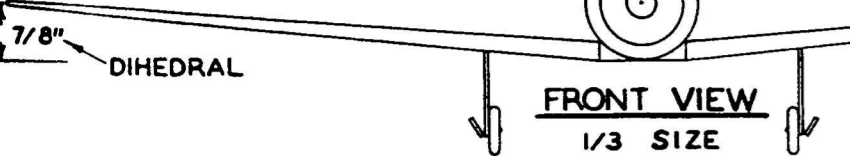


RUDDER

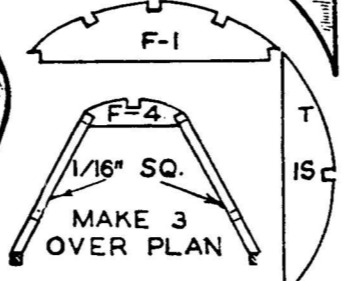


PUT RUBBER IN PLACE BEFORE COVERING BODY

CROSS BRACES FOR BOTTOM OF FUSELAGE CUT TO SAME SIZE AS TOP FORMER



SIDE VIEW

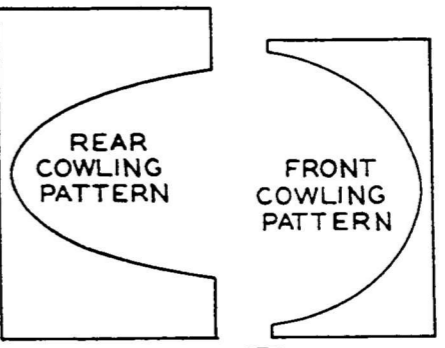


GLUE INSTRUMENT PANEL TO F-3

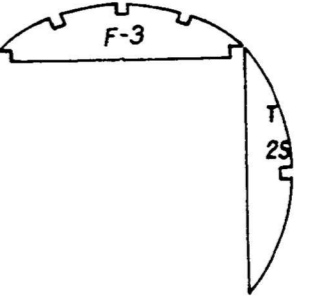


THRUST BUTTON

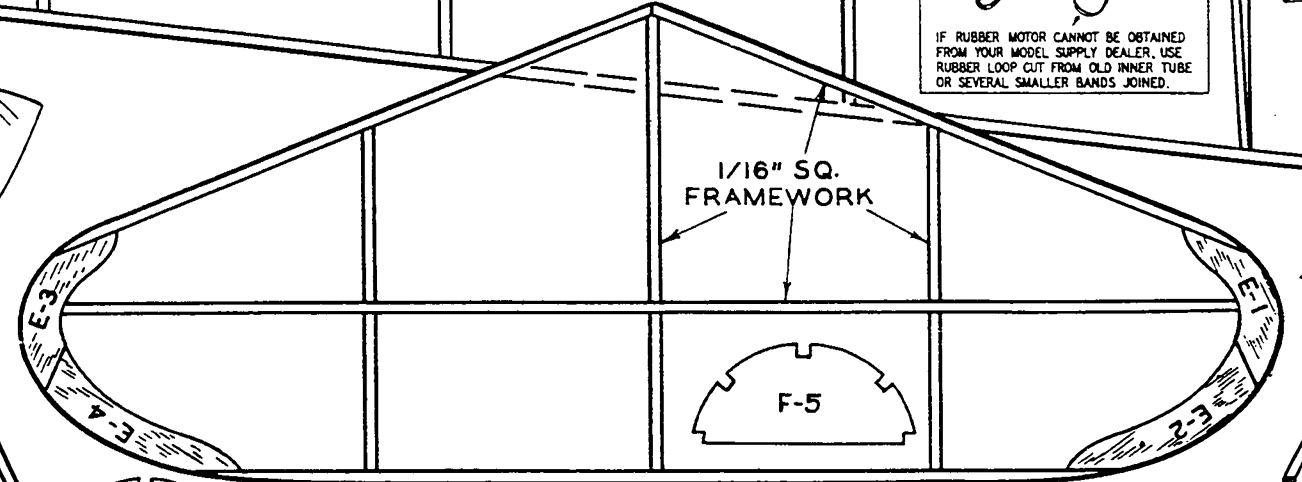
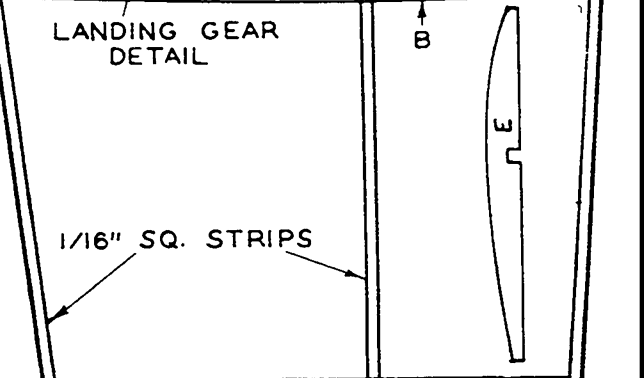
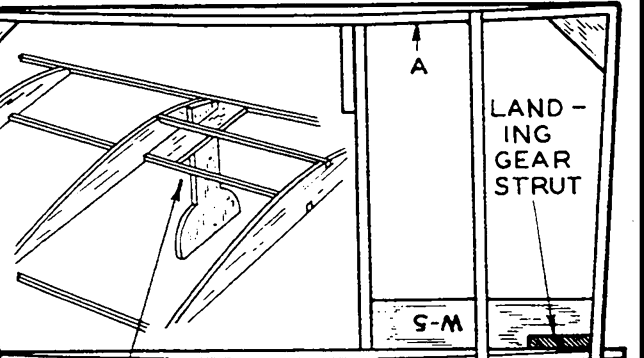
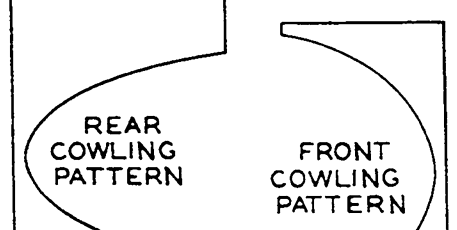
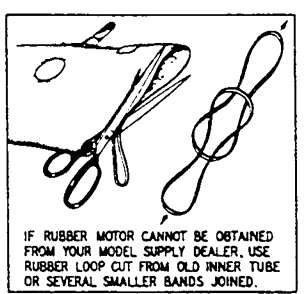
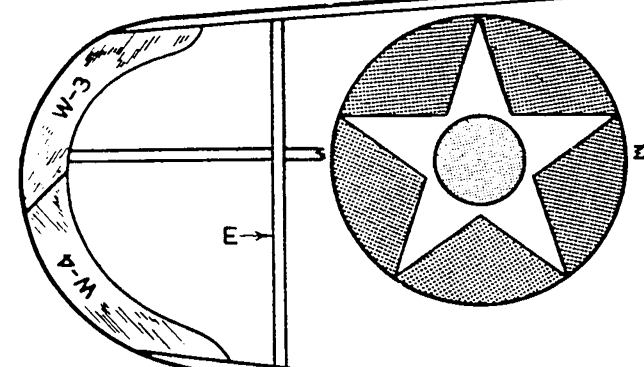
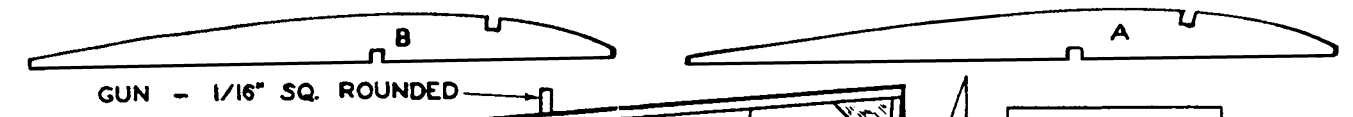
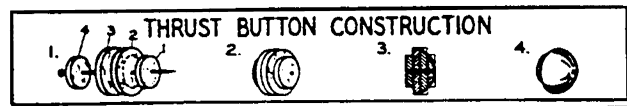
COLOR SCHEME
BODY- LIGHT BLUE
WING, STABILIZER,
AND RUDDER -
YELLOW.



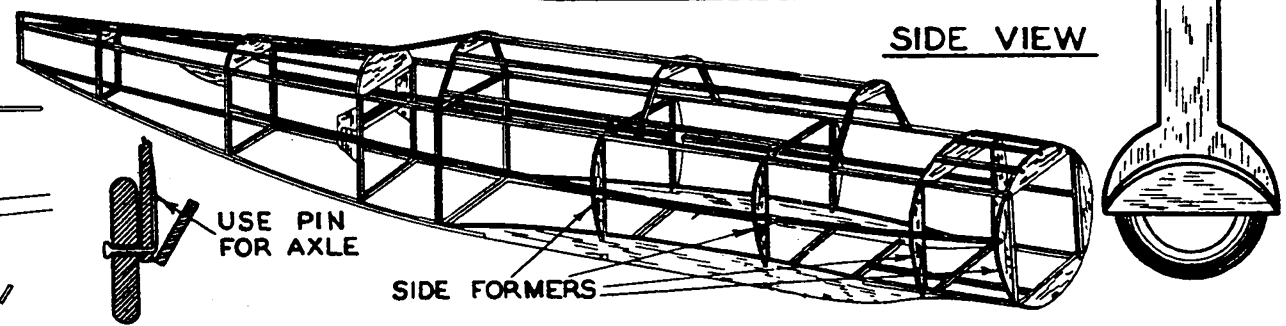
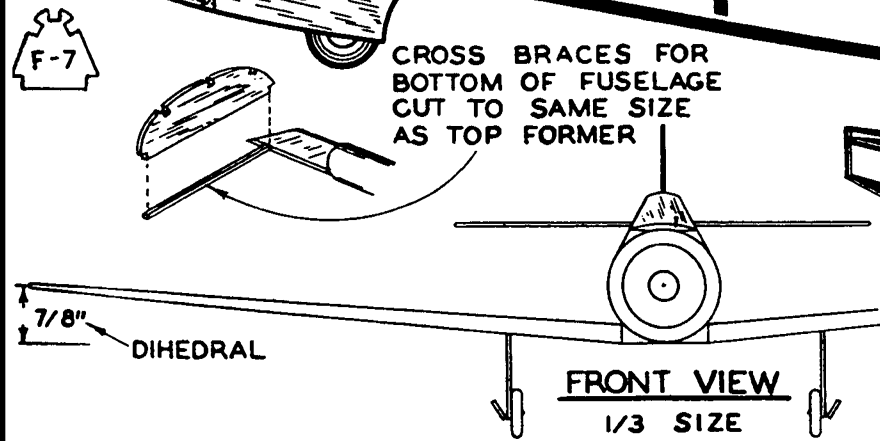
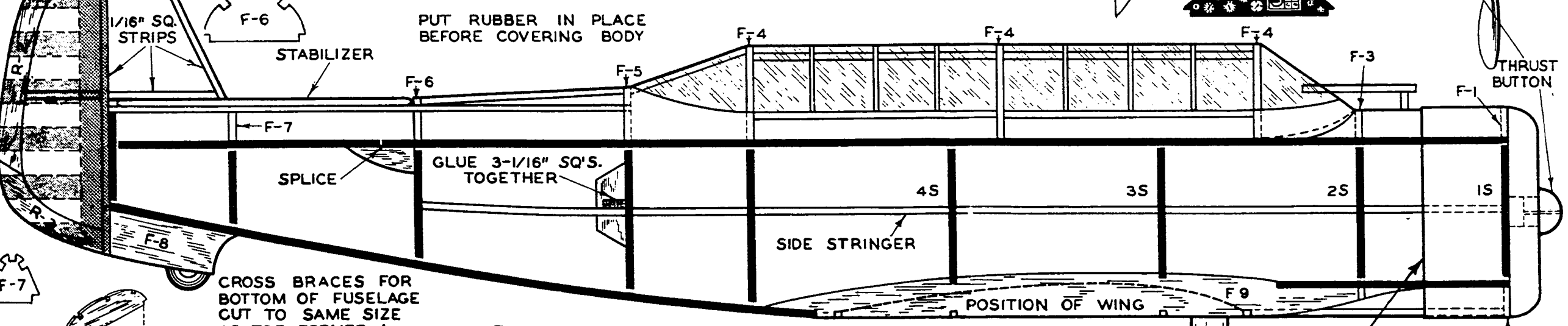
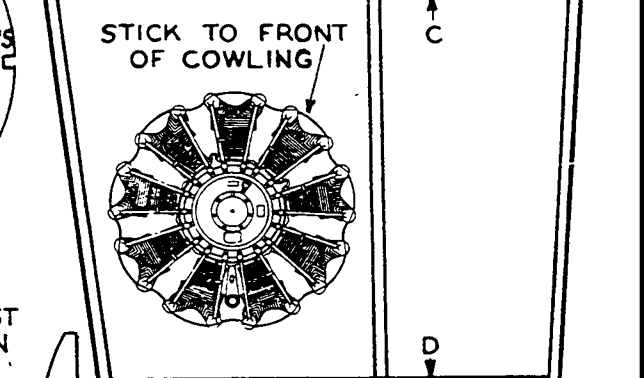
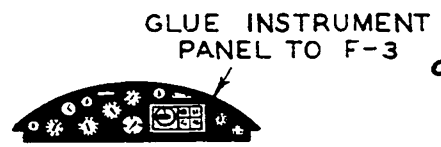
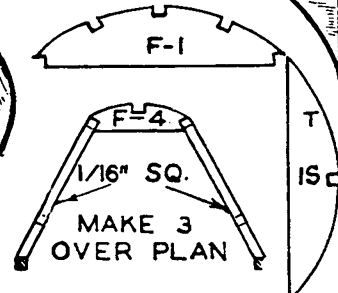
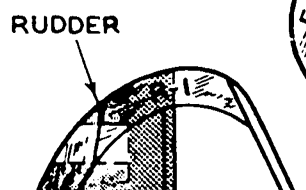
FRONT COWLING PATTERN



VULTEE ATTACK
WINGSPAN 20" | LENGTH 13"
DRAWN BY *[Signature]* | KIT NO. A35



COLOR SCHEME
BODY - LIGHT BLUE
WING, STABILIZER,
AND RUDDER -
YELLOW.



VULTEE ATTACK
WINGSPAN 20" | LENGTH 13"
DRAWN BY *[Signature]* | KIT NO. A 35