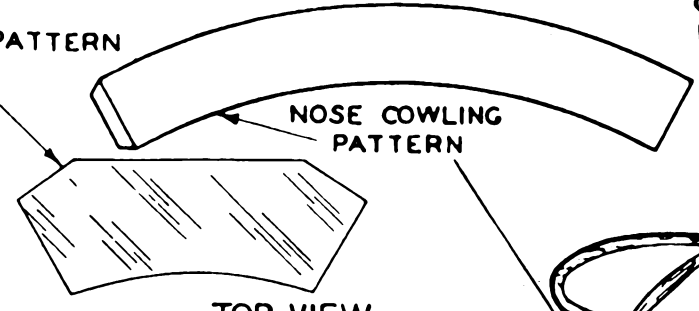
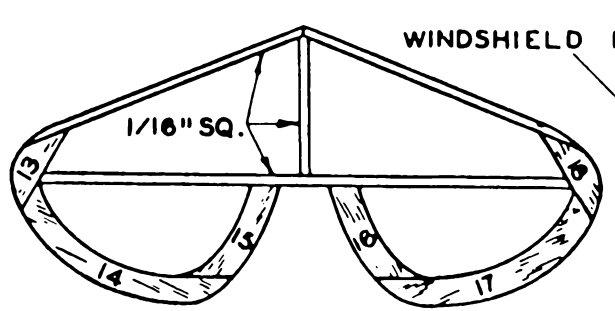
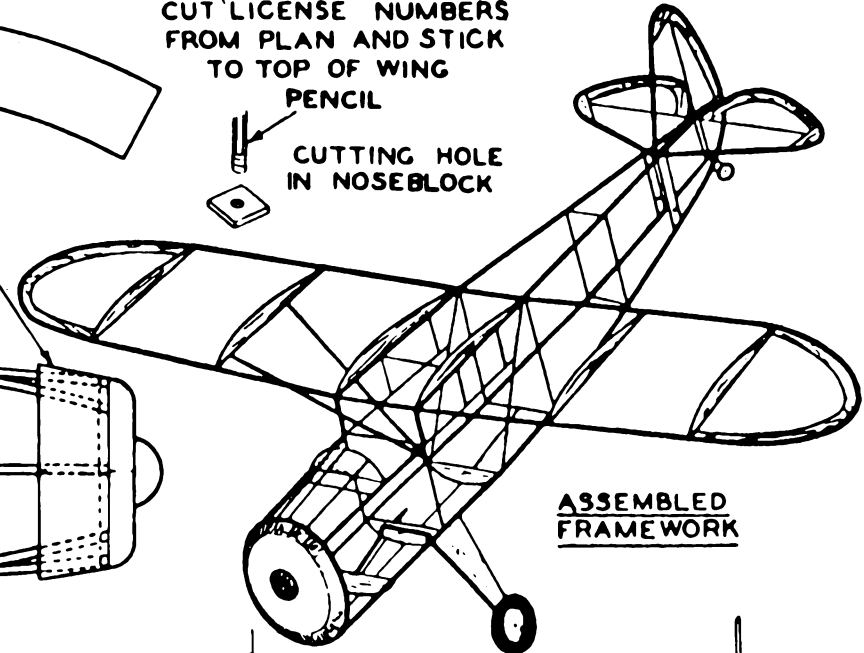
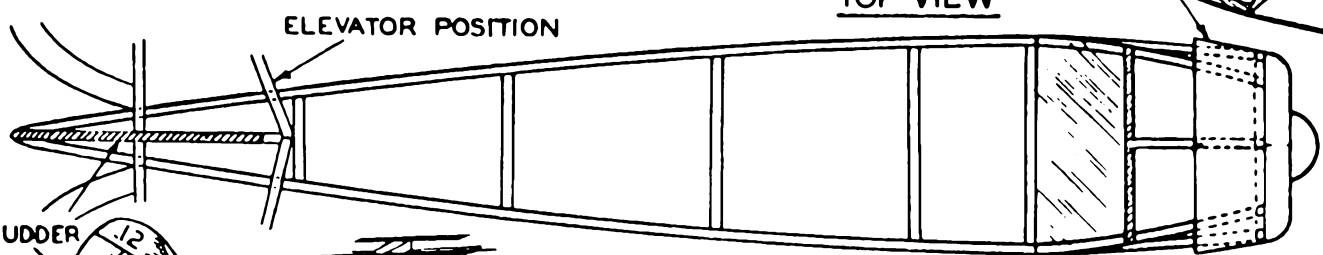
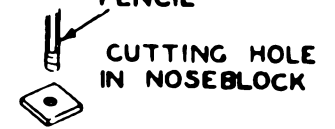


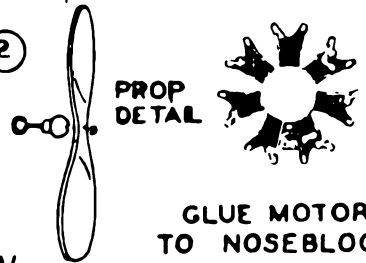
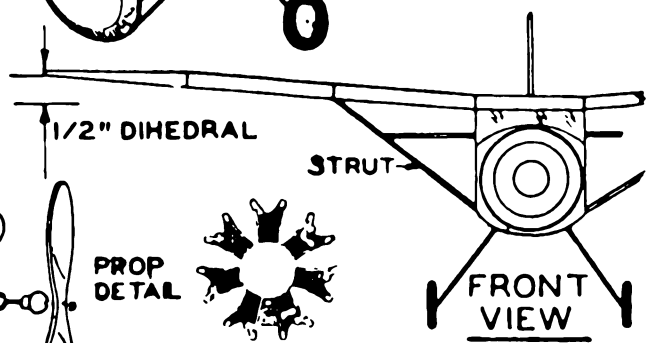
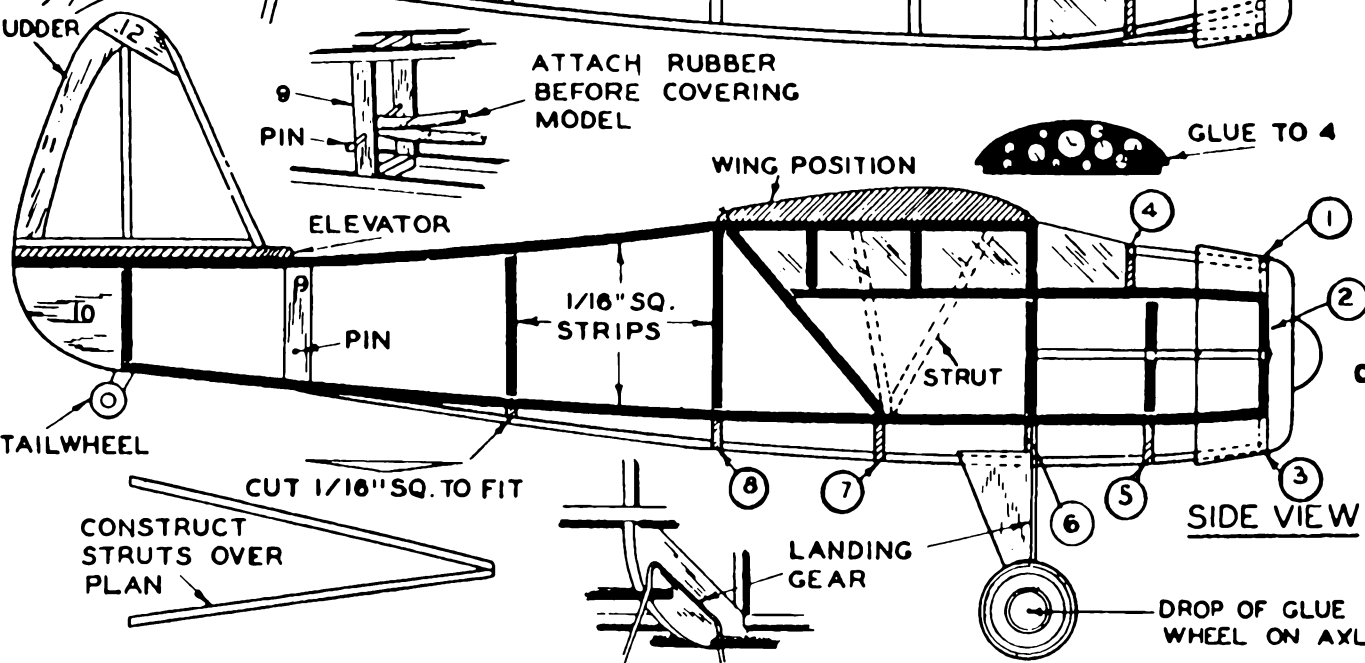
NC 16417



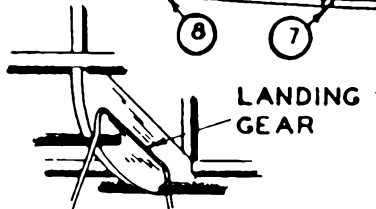
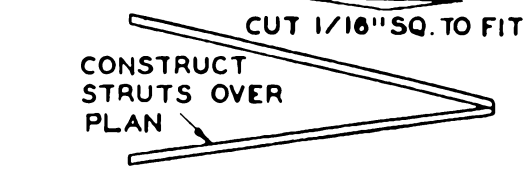
CUT LICENSE NUMBERS FROM PLAN AND STICK TO TOP OF WING PENCIL



ASSEMBLED FRAMEWORK



GLUE MOTOR TO NOSEBLOCK



HOWARD
 WINGSPAN 10" | LENGTH 6 1/2"
 DRAWN BY *Walter* | KIT NO. W 12