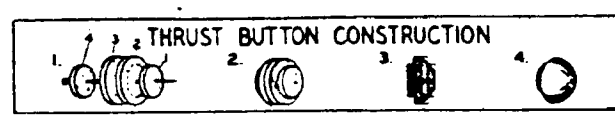
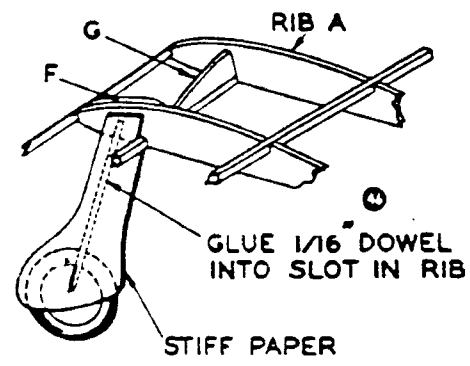
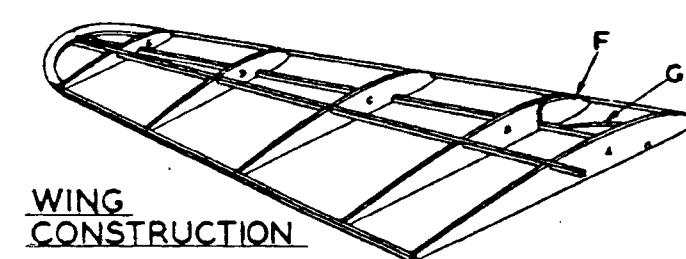
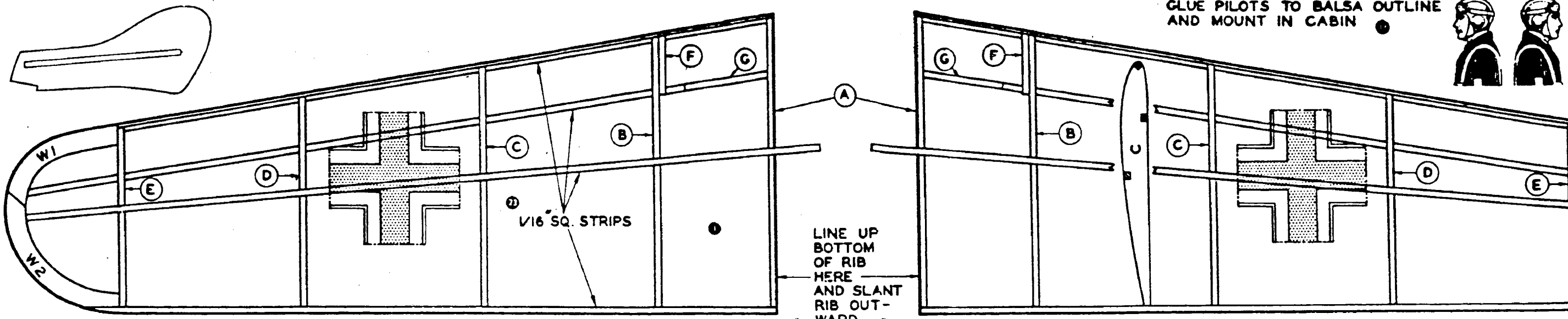
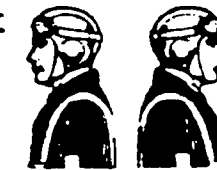


GLUE PILOTS TO BALSA OUTLINE AND MOUNT IN CABIN

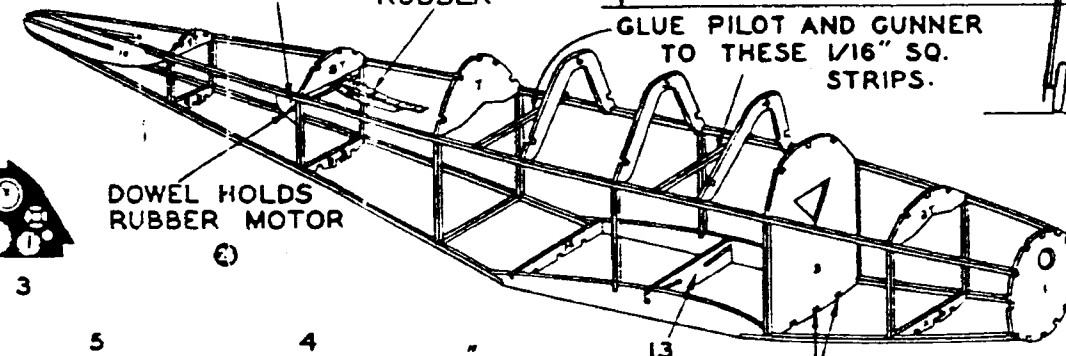


FRONT VIEW

1-1/8\"/>

RUBBER

GLUE PILOT AND GUNNER TO THESE 1/16\"/>



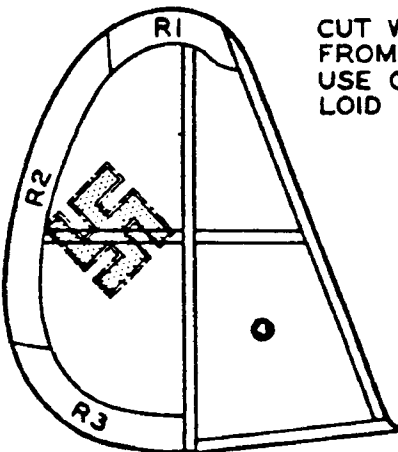
DOWEL HOLDS RUBBER MOTOR



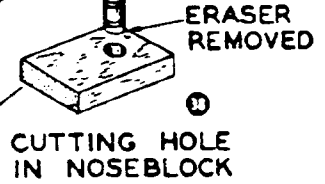
GLUE TO 3

GLUE THIS END OF COCKPIT COAMING AROUND 3

CUT WINDSHIELD FROM PLAN OR USE CELLULOID



PENCIL



CUTTING HOLE IN NOSEBLOCK

THRUST BUTTON

PROP

PROP SHAFT

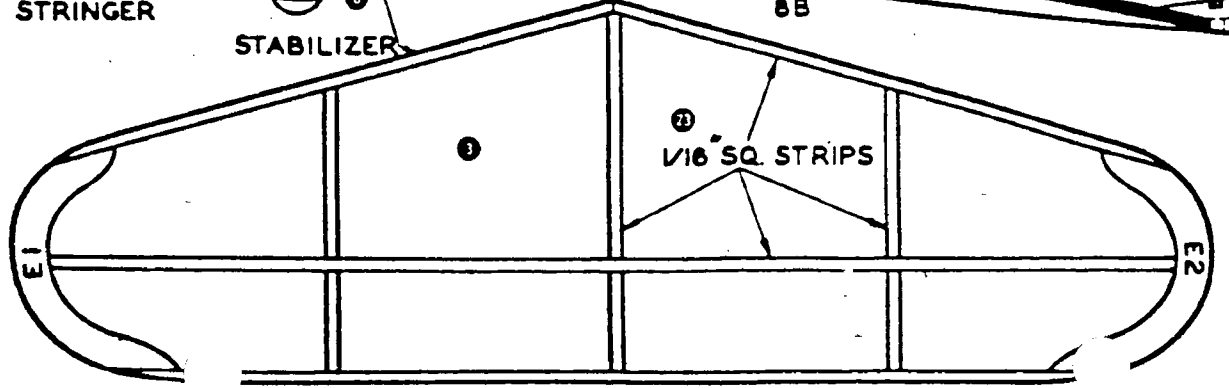
PAPER

SHAPE FROM SCRAP

1/16\"/>

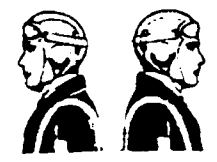
GLUE TO CENTER STRINGER

STABILIZER



MAIN FRAMEWORK

1/16\"/>

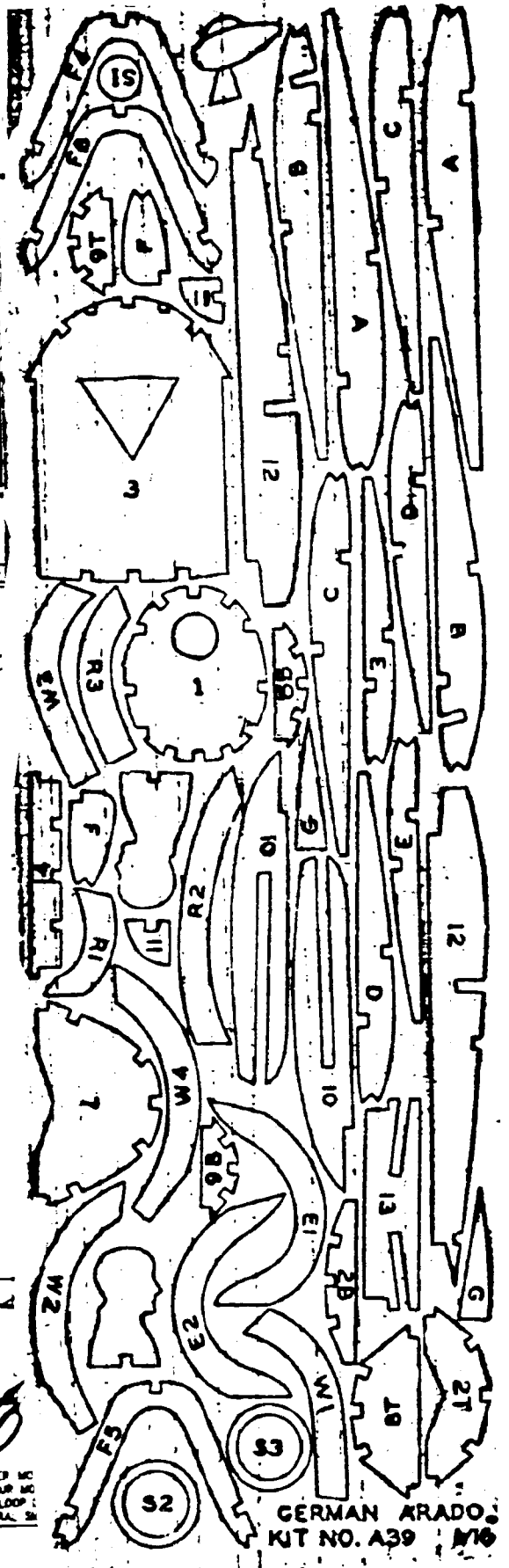


GLUE TO BALSA OUTLINE AND MOUNT ON 1/16\"/>

GLUE 1/16\"/>

BEND PIN WITH WHEEL ON

TOP VIEW OF FUSELAGE



GERMAN ARADO KIT NO. A39

GERMAN ARADO

WINGSPAN 16\"/>

KIT NO. A39 | DRAWN BY