

COLOR SCHEME
 FUSELAGE - KHAKI
 WINGS & TAIL ASSEMBLY - YELLOW

WINGS ARE SINGLE SURFACED

RIB SECTION
 (MAKE 6)

CENTER
 SECTION RIB
 (MAKE 1)

1/16" SQ. LEADING EDGE

1/16" SQ. CENTER SPAR

CUT INSIGNIA FROM PLAN
 AND GLUE TO UPPER WING.

CUT FROM PRINTED SHEET

CENTER SPAR
 CEMENTED IN PLACE AFTER
 WING IS REMOVED FROM
 PLAN.

MORE STRINGERS
 MAY BE ADDED TO FUSELAGE
 IF DESIRED.

CUT FROM THE
 PRINTED SHEET

1/16" SQ. TRAILING EDGE

THREAD REPRESENTSAILERONS

1/16" SQ. LEADING EDGE

RIB SECTION
 (MAKE 6)

1/16" SQ. CENTER SPAR
 FOR ONE HALF OF LOWER
 WING USE SOLID LINES. FOR
 THE OTHER HALF USE THE
 BROKEN TIP, AND OMIT THE
 OTHER

1/16" SQ. TRAILING EDGE

CUT FROM PRINTED SHEET

WINDSHIELD PATTERNS ARE CUT FROM
 PLAN AND GLUED IN POSITION ON COCKPIT
 COWLING.
 PENCIL ROLLED OVER 1/16" SQ. FORMS THIS CURVE.

CUT FROM PRINTED SHEET

RAZOR BLADE
 BROKEN TO ABOVE
 SHAPE WITH AID OF
 PLIERS MAKES A
 GOOD TOOL FOR
 CUTTING RIBS, ETC.

CUT INSIGNIA FROM
 PLAN AND GLUE TO
 SIDES OF FUSELAGE.

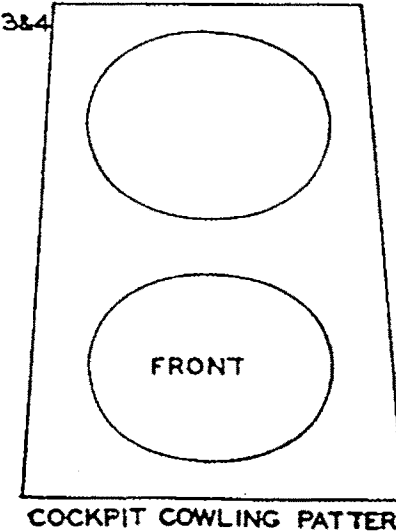
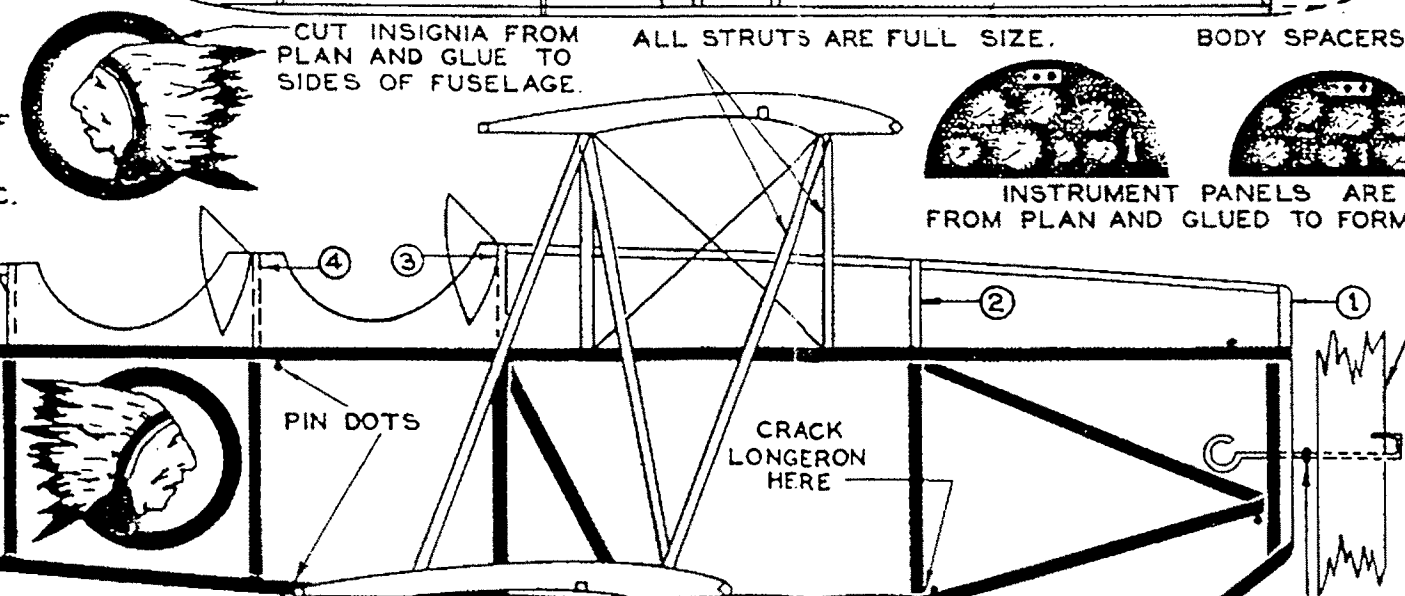
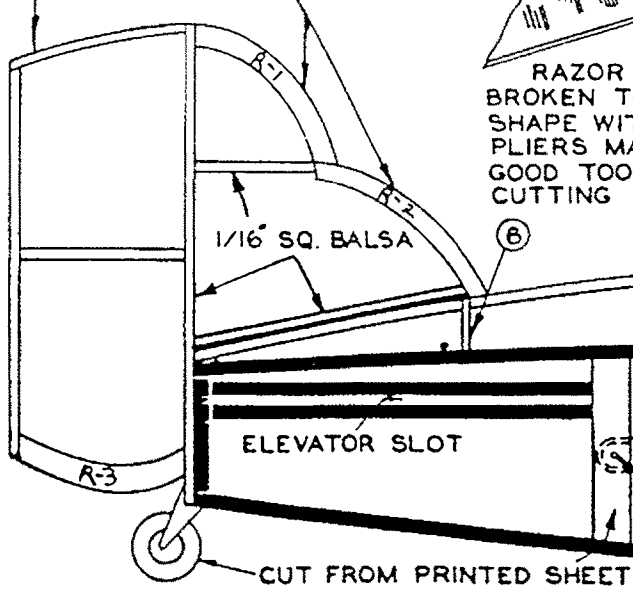
ALL STRUTS ARE FULL SIZE.

BODY SPACERS

FUSELAGE
 FORMERS

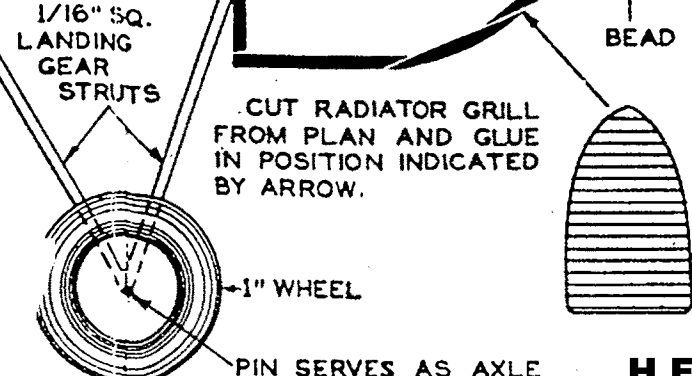
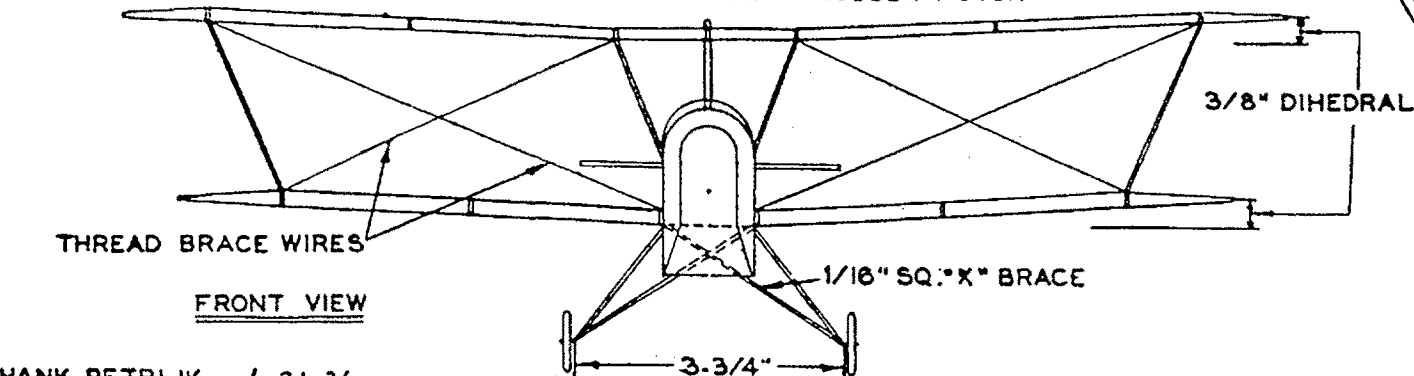
1/16" SQ.
 STRIPS

INSTRUMENT PANELS ARE CUT
 FROM PLAN AND GLUED TO FORMERS 3 & 4



BUILD ELEVATOR IN ONE PIECE
 OVER PLAN AND GLUE
 INTO SLOT AT REAR OF
 FUSELAGE

CUT FROM PRINTED SHEET



CUT RADIATOR GRILL
 FROM PLAN AND GLUE
 IN POSITION INDICATED
 BY ARROW.

USE 4" MACHINE-CUT PROP

THREAD BRACE WIRES
 FRONT VIEW

CURTISS FALCON
 UNITED STATES ARMY ATTACK PLANE
 WINGSPAN-16" LENGTH-10-5/8"
 DIHEDRAL-8" BOTH WINGS
 KIT NO. A-141
 AMERICAN MODEL CRAFT CO.
 DIVISION OF COMET MODEL AIRPLANE CO. 2509 W. CERMAK RD. CHICAGO.