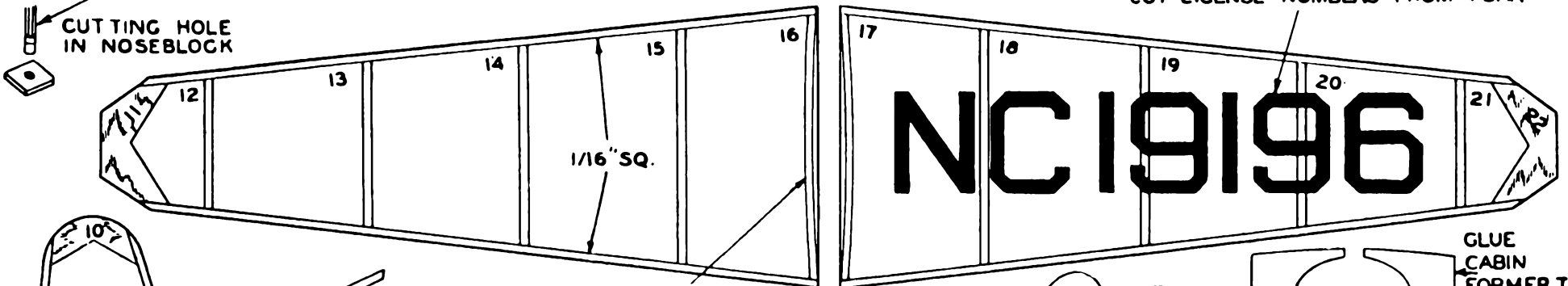


PENCIL

CUTTING HOLE
IN NOSEBLOCK

CUT LICENSE NUMBERS FROM PLAN



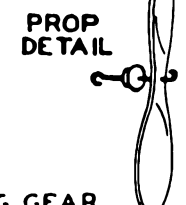
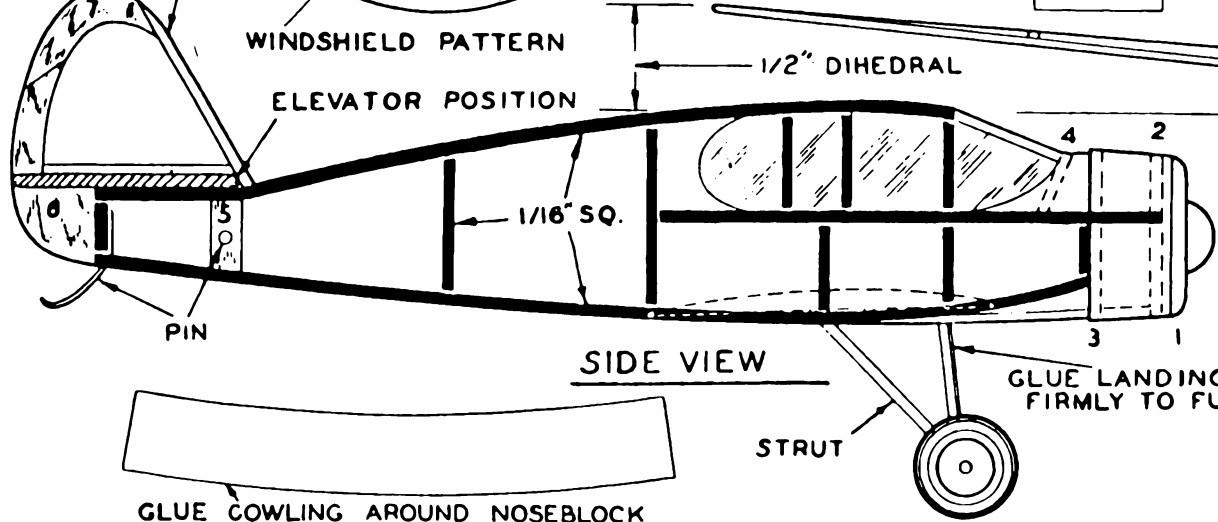
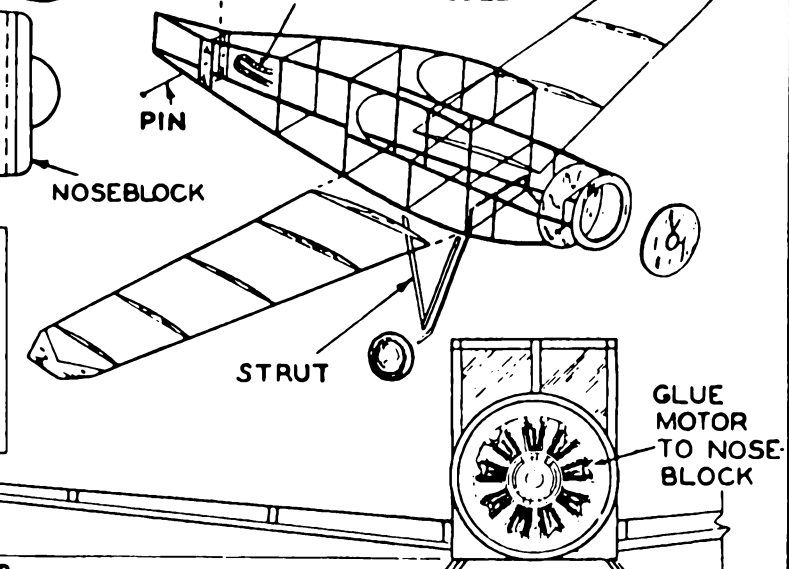
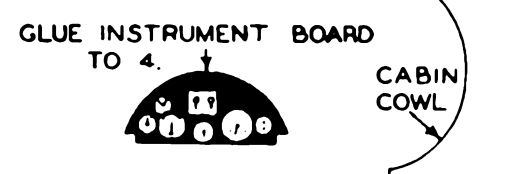
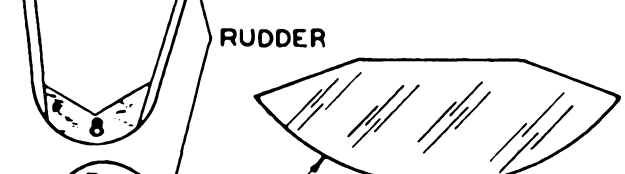
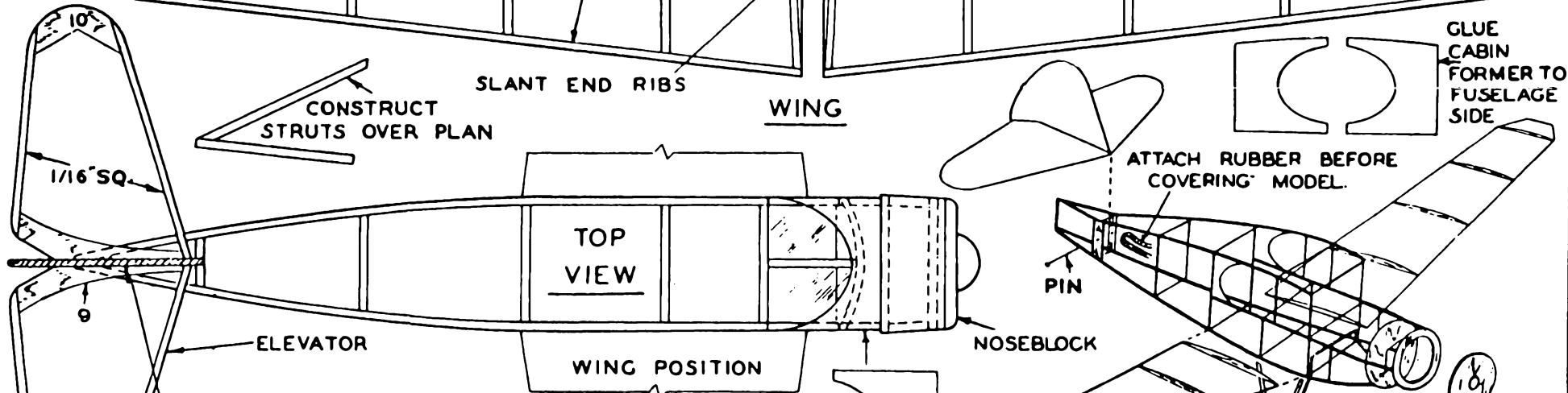
SLANT END RIBS

CONSTRUCT
STRUTS OVER PLAN

WING

GLUE
CABIN
FORMER TO
FUSELAGE
SIDE

ATTACH RUBBER BEFORE
COVERING MODEL.



DROP OF GLUE HOLDS
WHEEL ON AXLE.

GLUE COWLING AROUND NOSEBLOCK

BELLANCA

WING SPAN 10" LENGTH 8-1/8"

DRAWN BY Edward Lillard KIT. NO. W 9