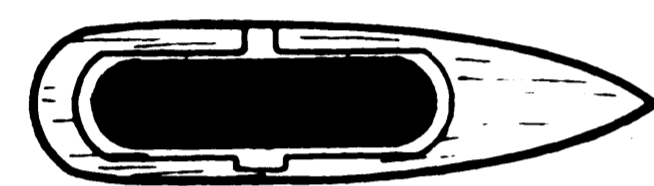
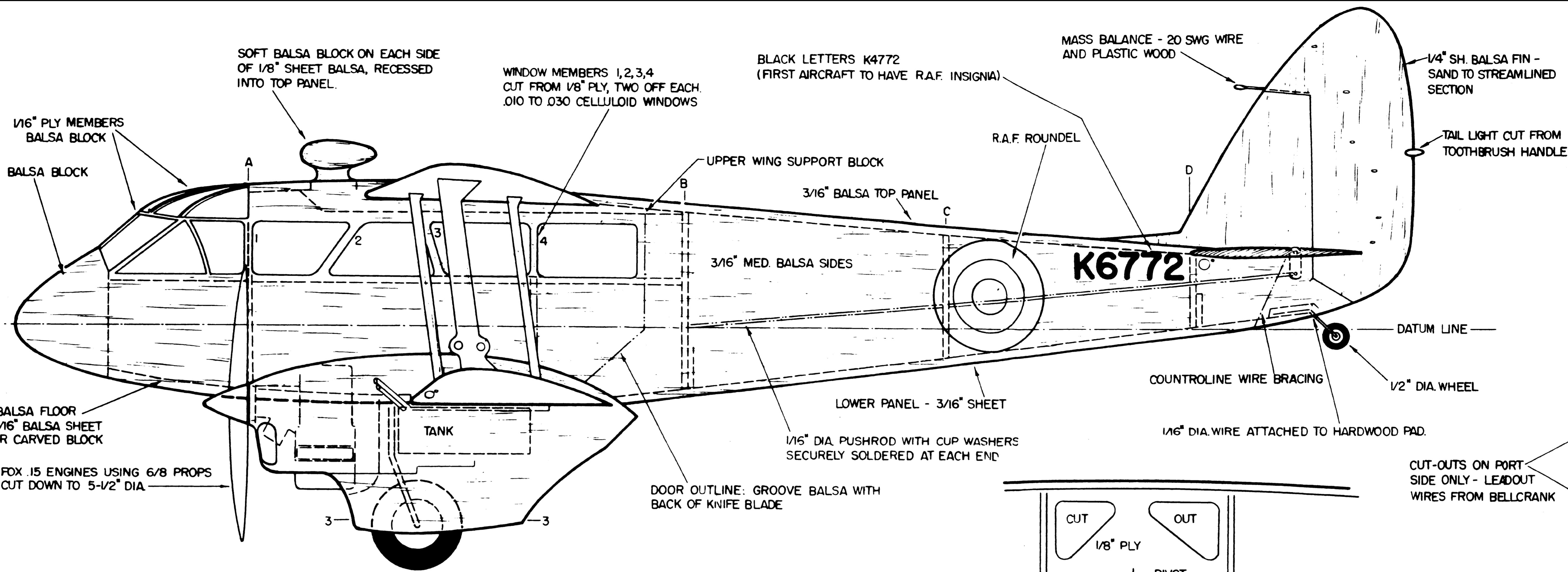
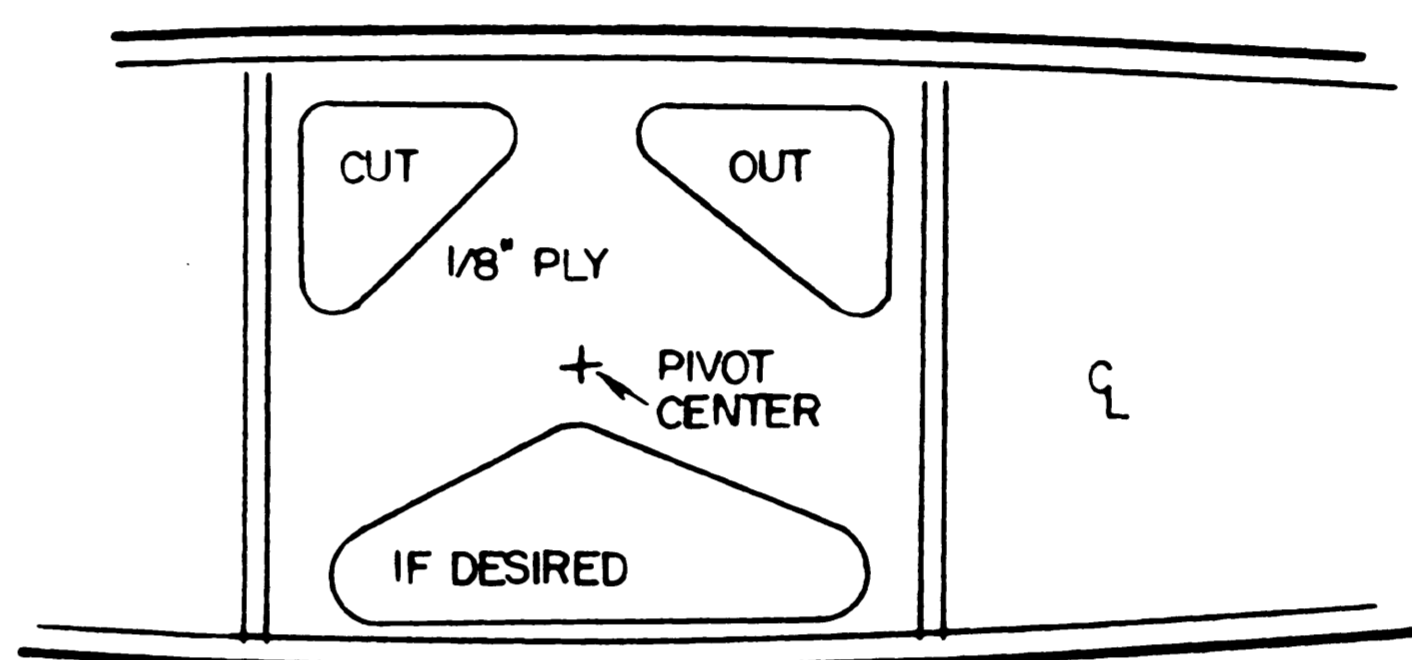


THE DH 89A DEHAVILLAND "DOMINIE" WAS A 5/6 SEAT NAVIGATION TRAINER. THE POWER WAS TWO 200 H.P. GIPSY SIX ENGINES. MAX SPEED 157 M.P.H. RANGE 570 MILES.

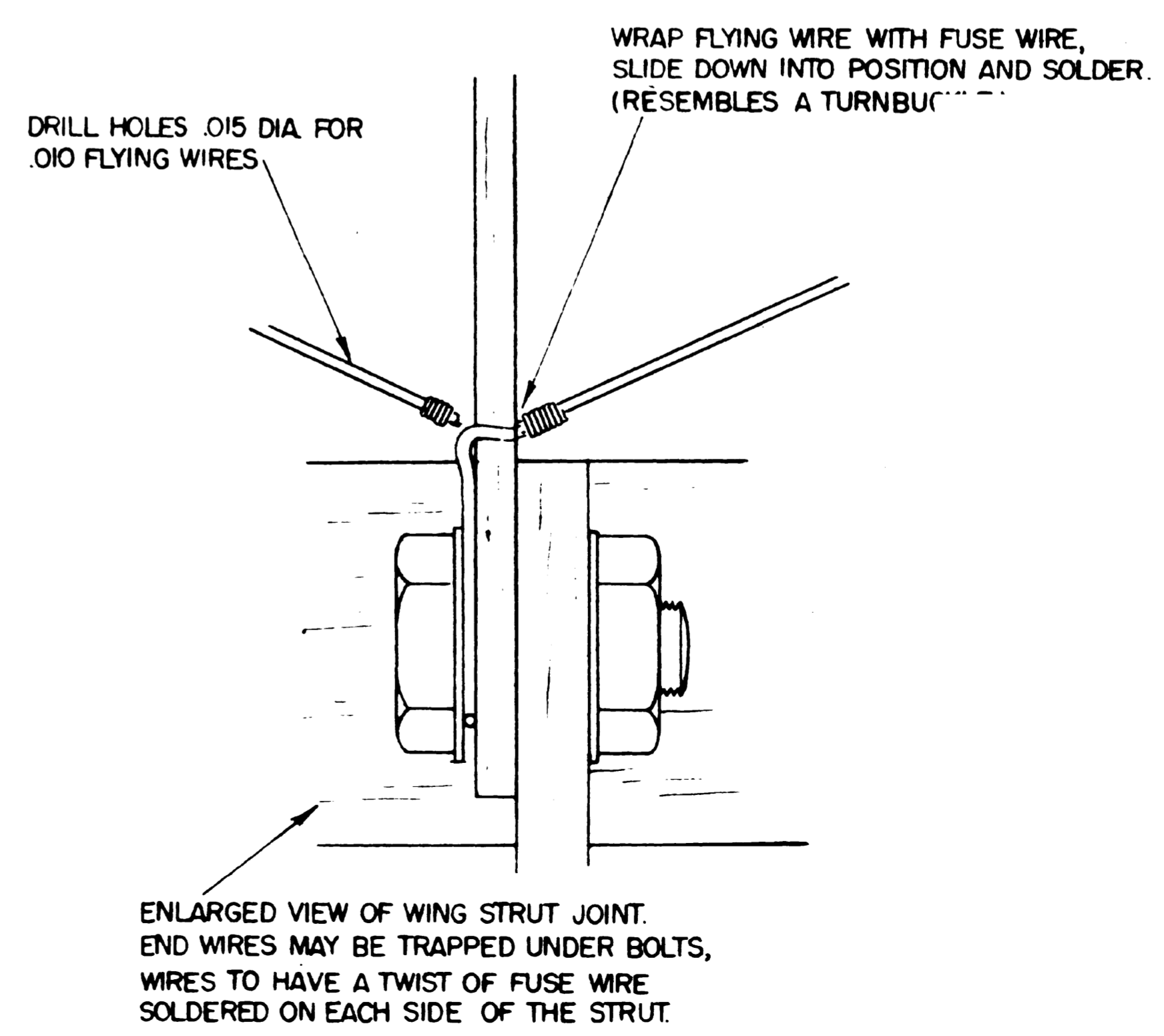
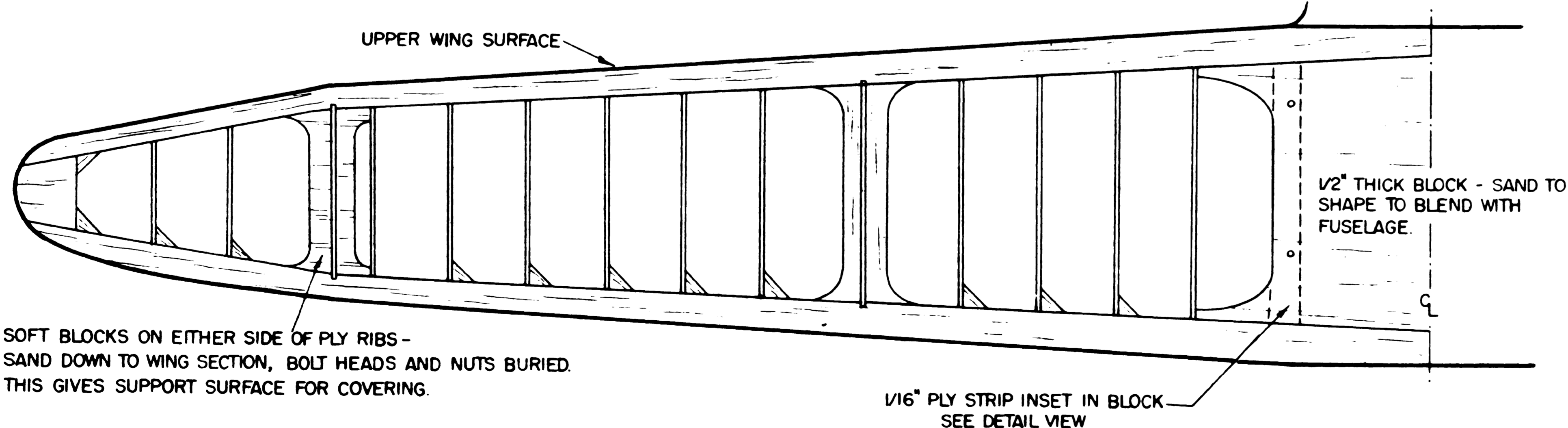
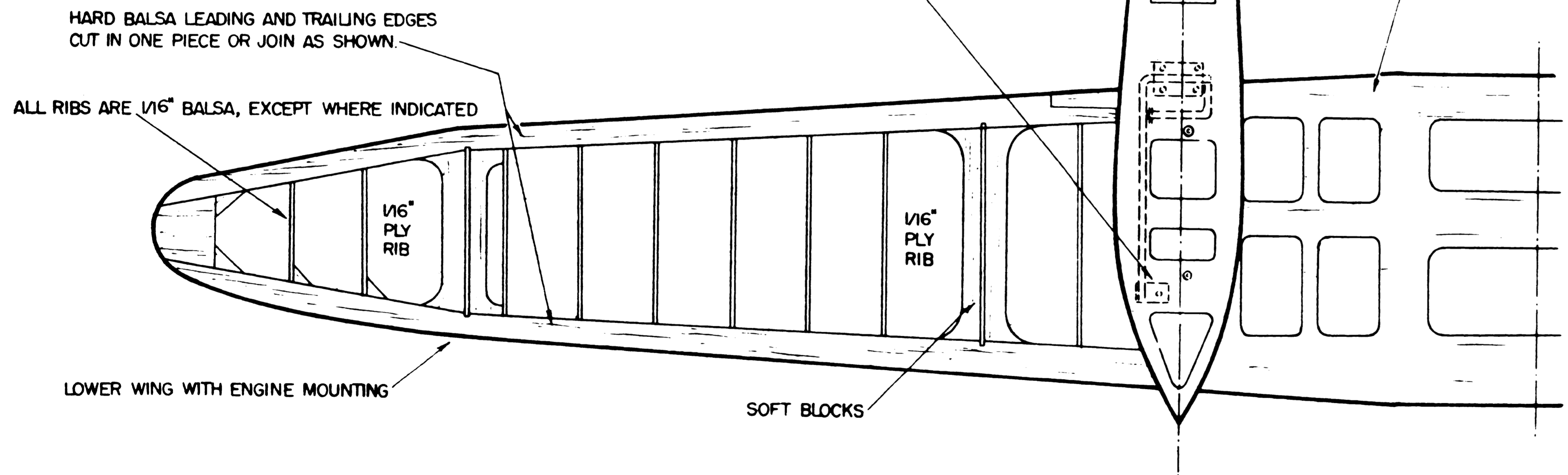


SECTION 3-3

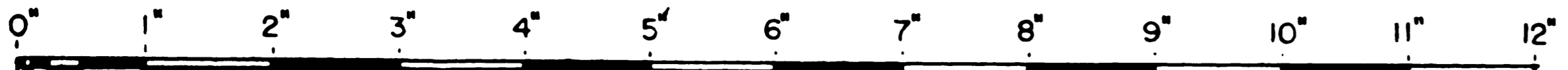


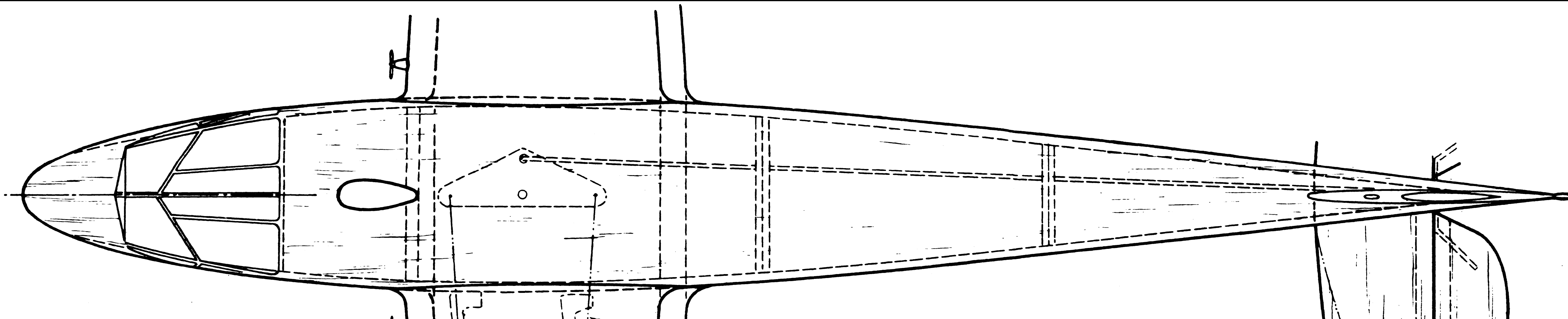
VIEW OF BELLCRANK MOUNTING IN FUSELAGE

PROTOTYPE MODEL BUILT BY: EDGAR SPENCER, ALLESTREE, DERBY, ENGLAND
DESIGNED BY: A.B. SWANSTON

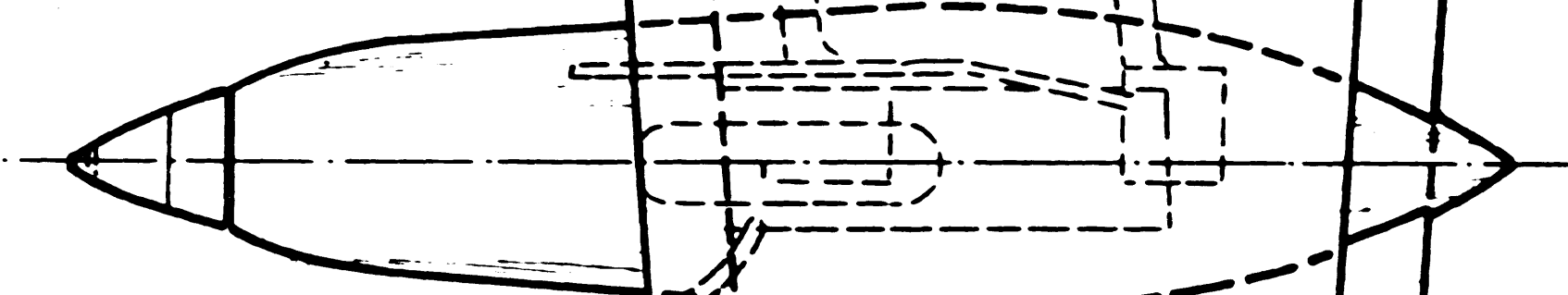


BASIC FUSELAGE SIDE OF 3/16" MEDIUM Balsa

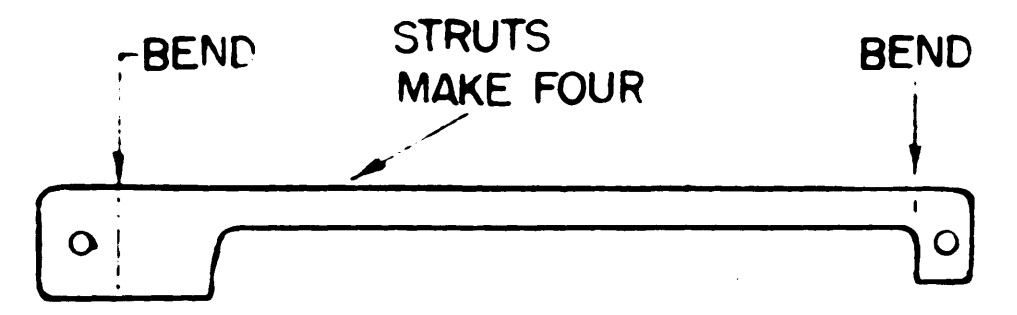




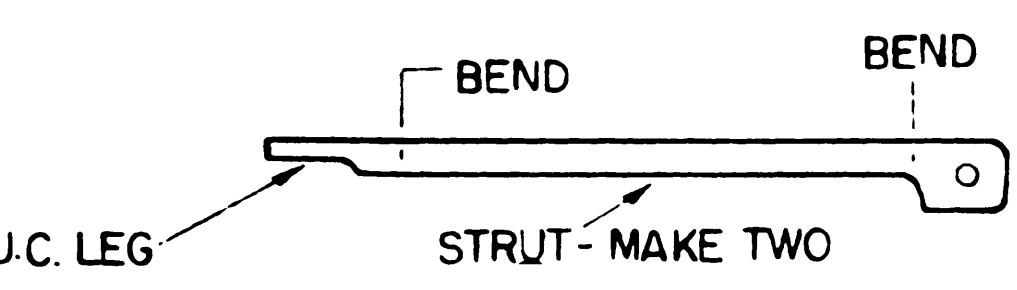
.036 DIA. WIRE LEADOUTS



TANK FILL AND OVERFLOW

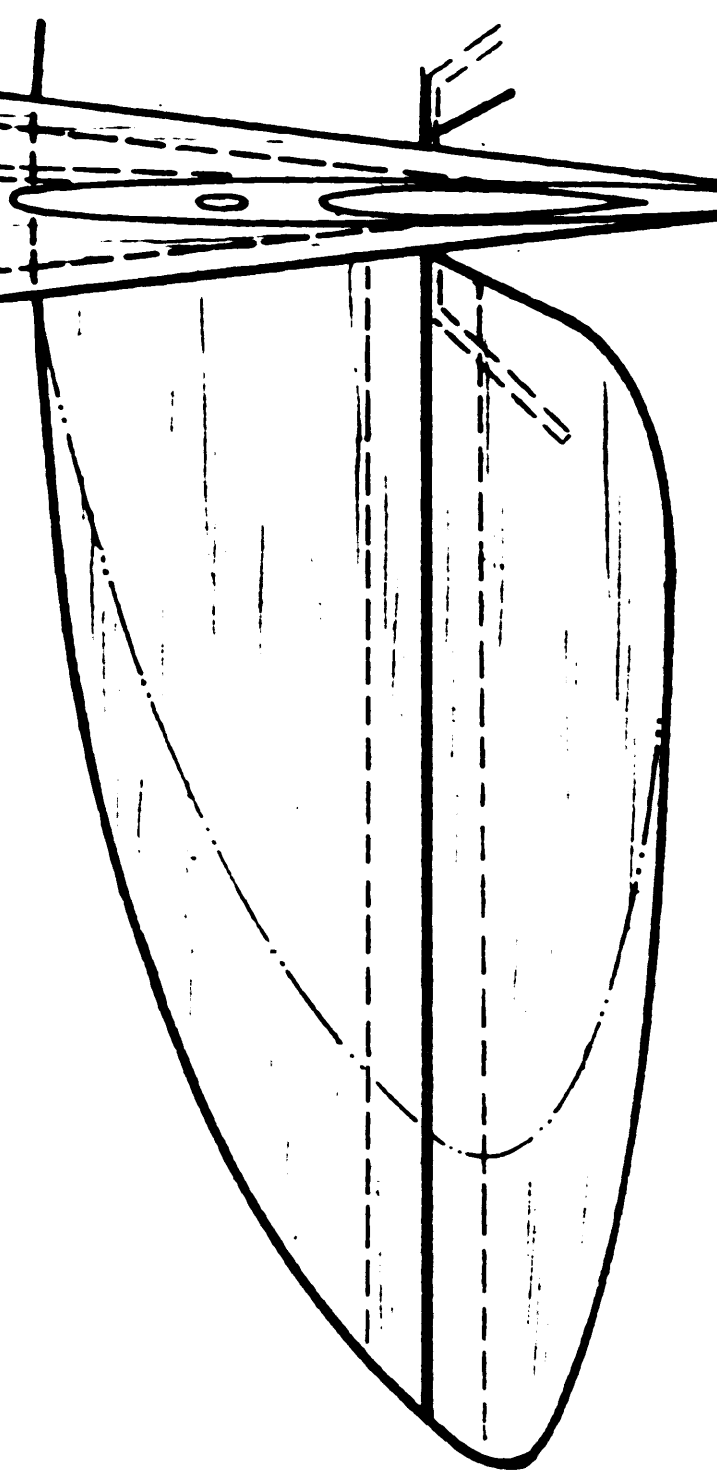


BEND STRUTS MAKE FOUR BEND



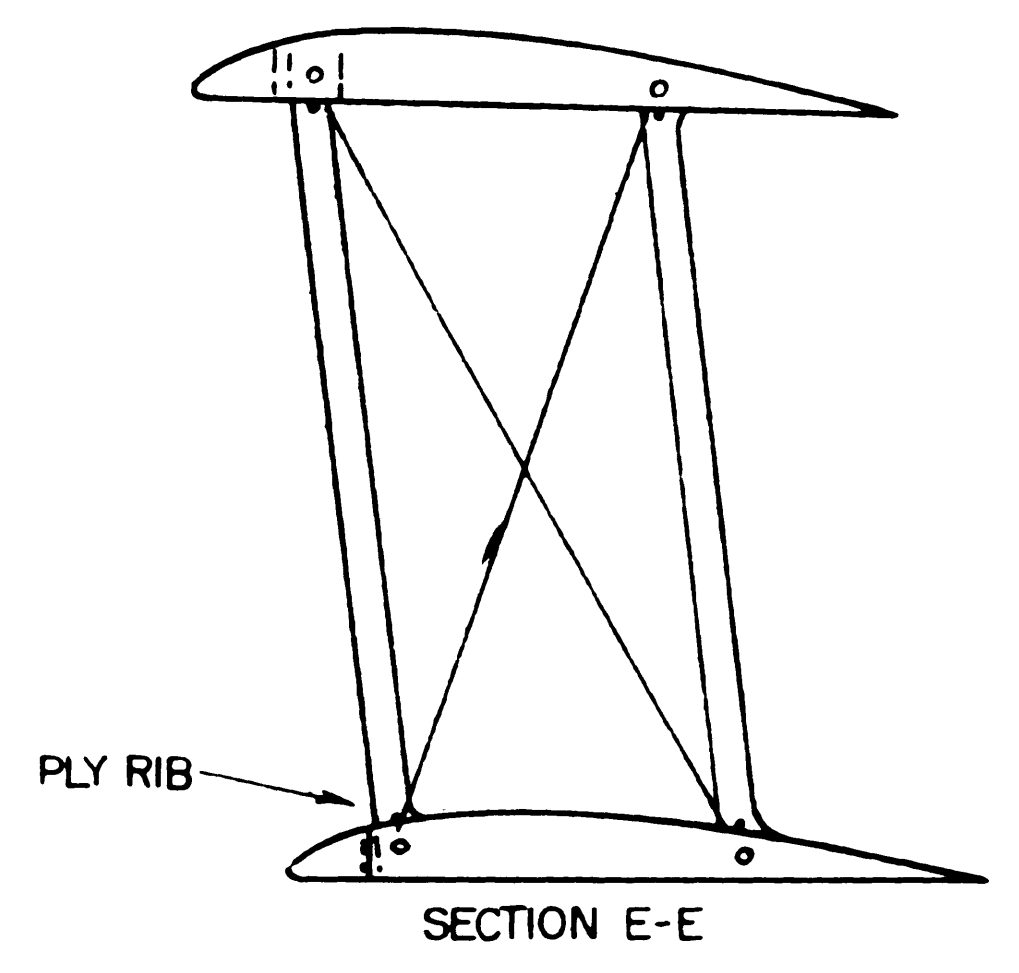
BEND BEND STRUT - MAKE TWO BIND TO WIRE U.C. LEG

ALL STRUTS CUT FROM 20 SWG (.036) DURAL FILE TO OVAL SECTION AND POLISH, LEAVE NATURAL FINISH.



SCALE OUTLINE

LINEN TAPE HINGE, SANDWICHED BETWEEN 3/32" SHEETS. SAND TO SECTION SHOWN.

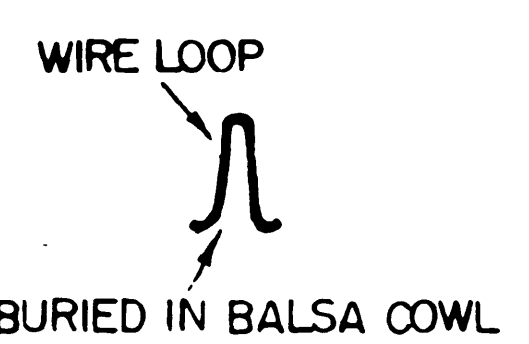


SECTION E-E

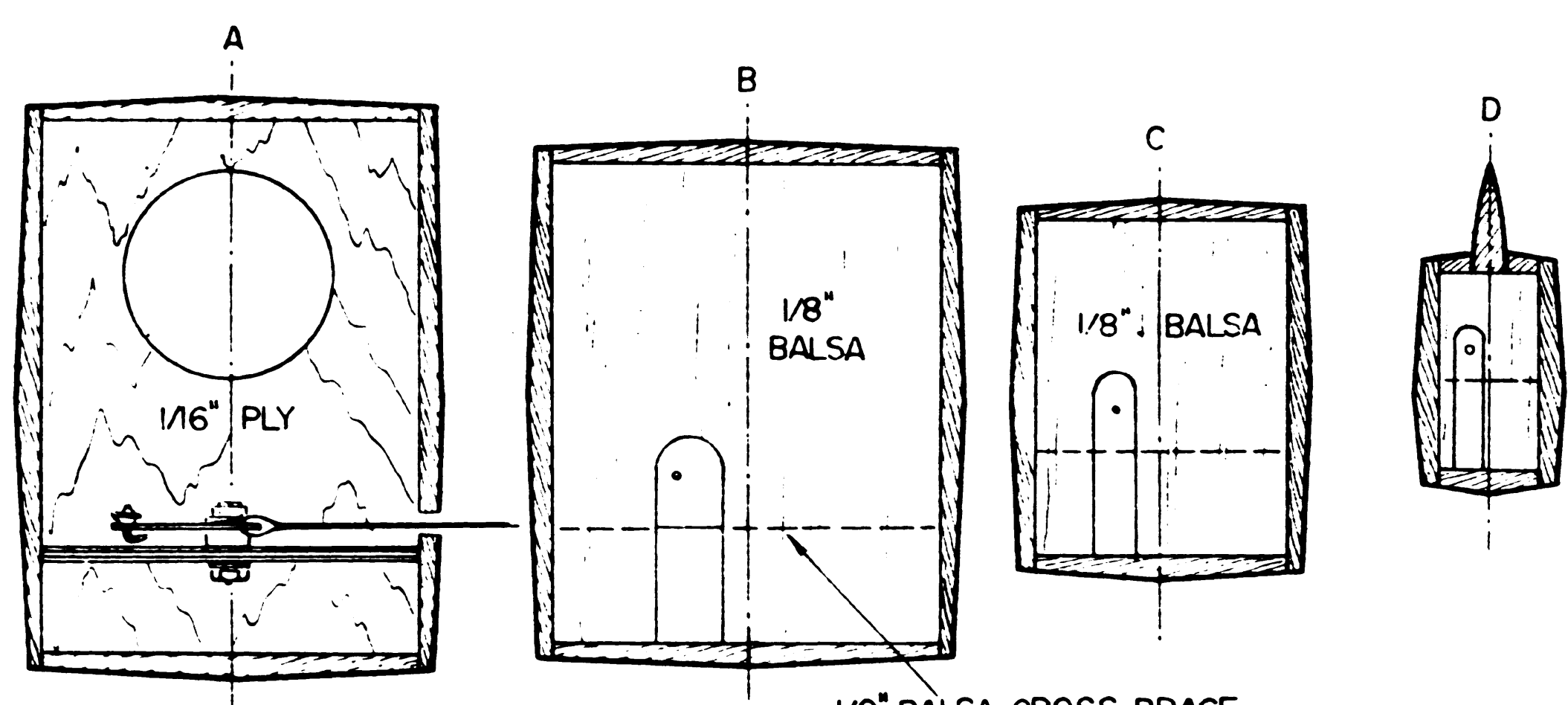
PLY RIB

E

E



WIRE LOOP BURIED IN Balsa COWL



1/16" PLY

1/8" Balsa

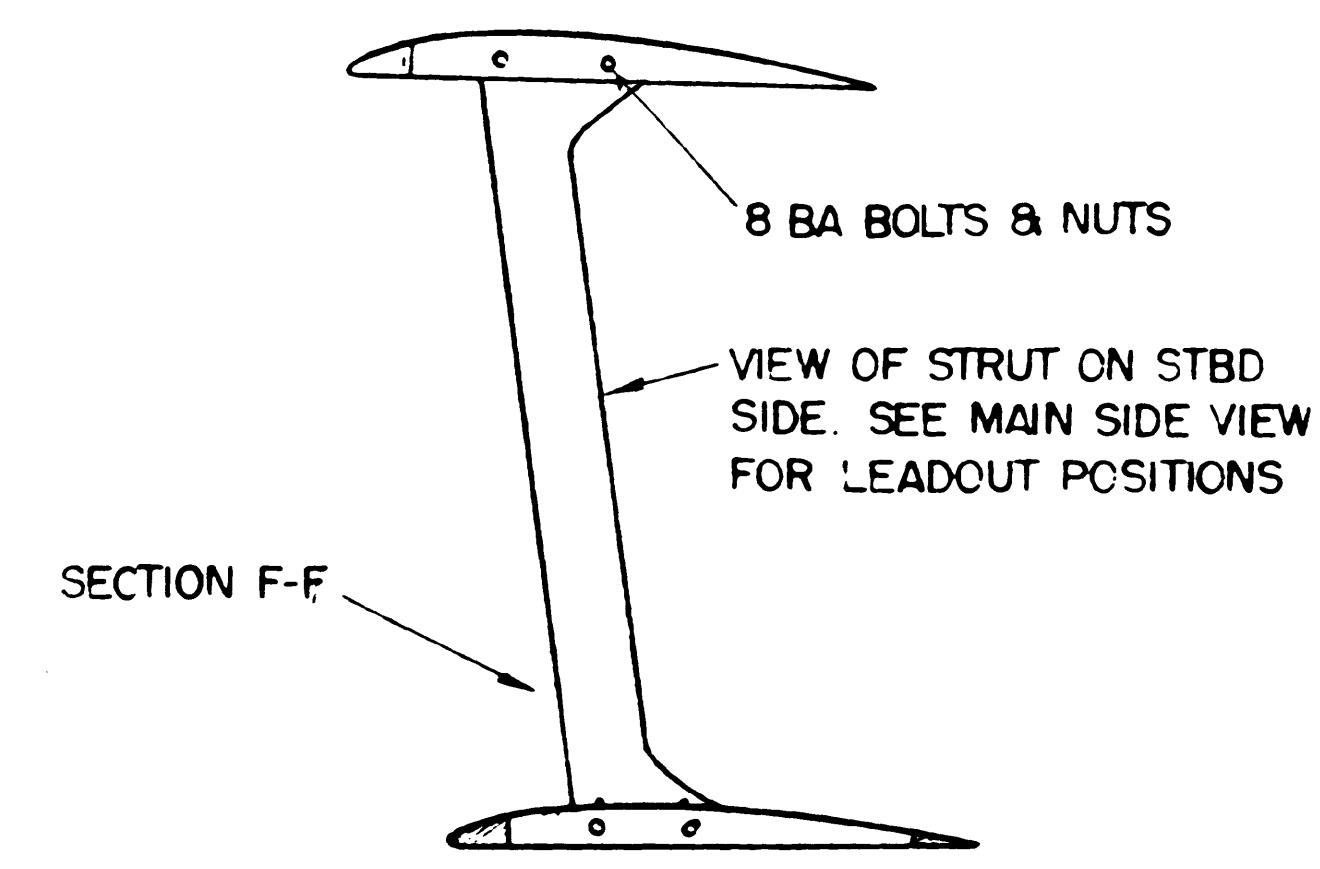
1/8" Balsa

1/8" Balsa CROSS BRACE FIT IN AFTER ASSEMBLY OF PUSHROD

AILERON OUTLINE - BOTH WINGS

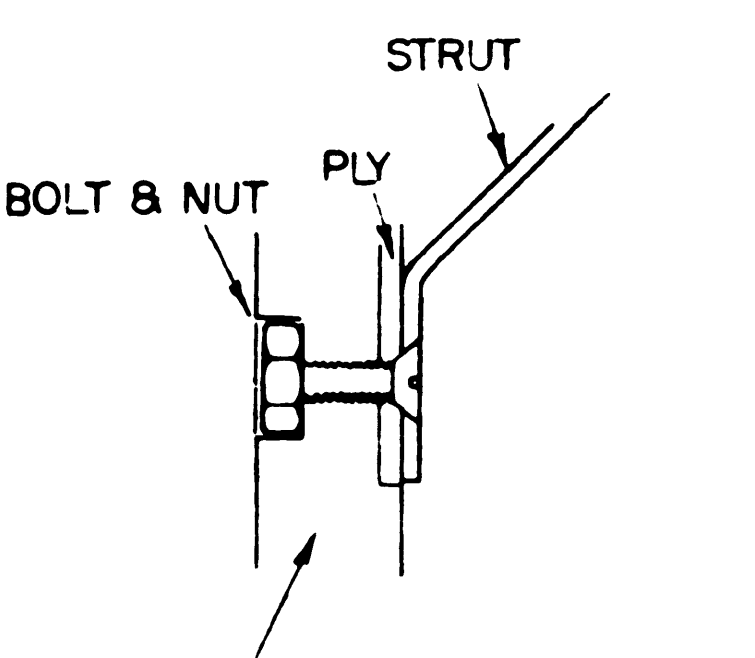
F

F



SECTION F-F

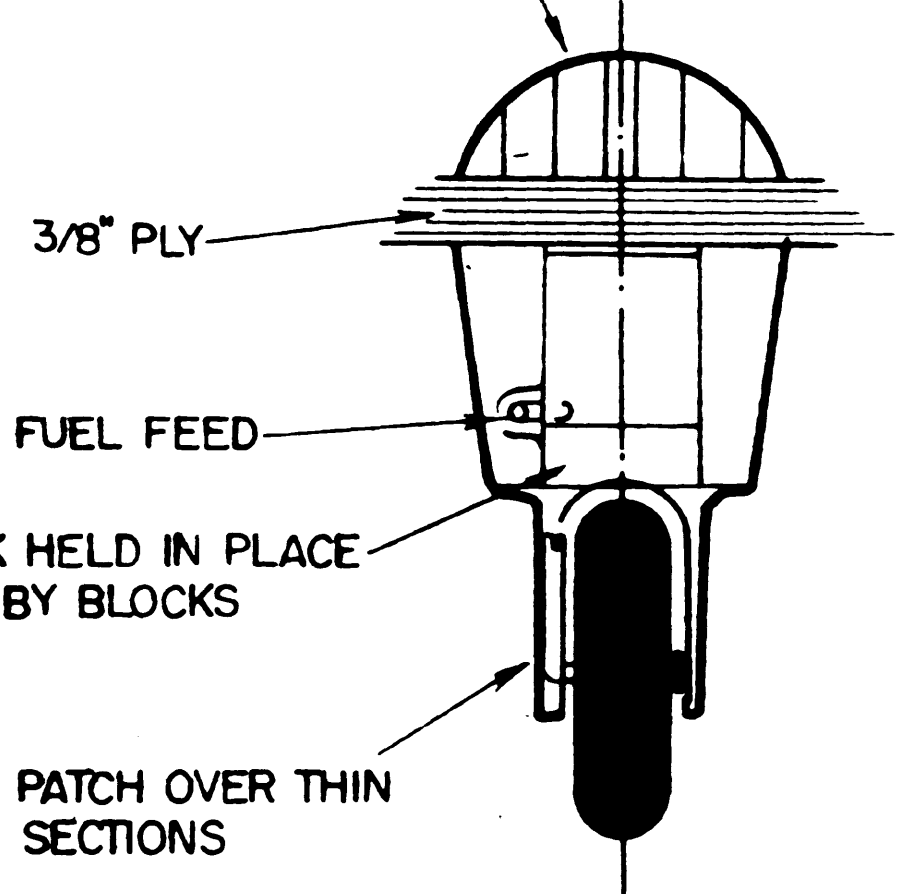
8 BA BOLTS & NUTS
VIEW OF STRUT ON STBD SIDE. SEE MAIN SIDE VIEW FOR LEADOUT POSITIONS



STRUT BOLT & NUT PLY
DETAIL OF STRUT TO WING FITTING

WING LIGHTS OF COLORED PLASTIC - RED PORT, GREEN STARBOARD

NACELLE BUILT UP USING Balsa LAYERS OR BLOCKS



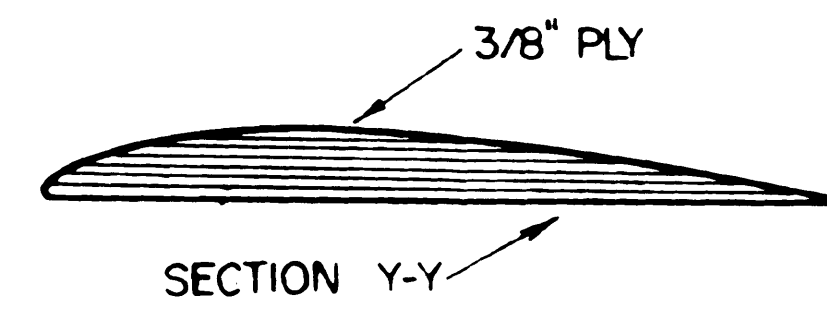
SECTION AT X-X

3/8" PLY

FUEL FEED

TANK HELD IN PLACE BY BLOCKS

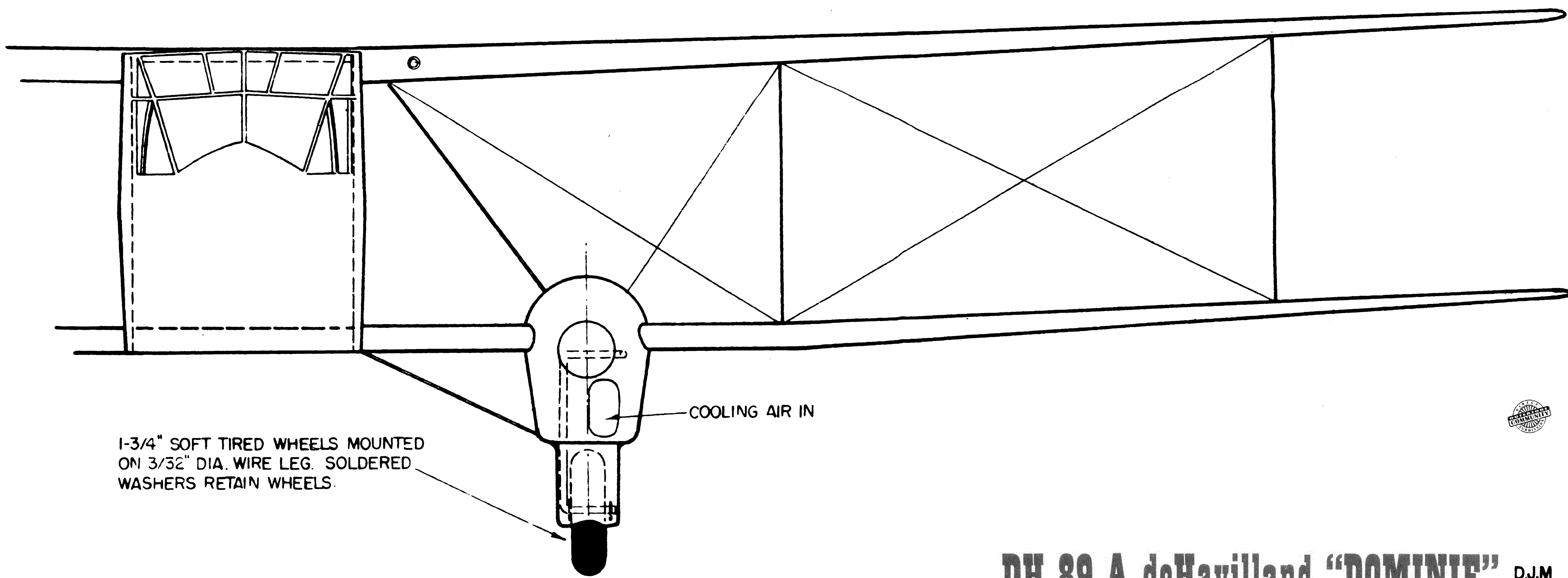
SILK PATCH OVER THIN SECTIONS



SECTION Y-Y

3/8" PLY

MODEL SHOULD BE WELL SANDED DOWN, GRAIN FILLED, SANDED AGAIN, FUSELAGE COVERED WITH LIGHT TISSUE, WINGS COVERED WITH LIGHT NYLON. TWO COATS OF CLEAR DOPE AND TWO OF SILVER. STRUTS MAY BE LEFT NATURAL.



1-3/4" SOFT TIRED WHEELS MOUNTED ON 3/32" DIA. WIRE LEG. SOLDERED WASHERS RETAIN WHEELS.

COOLING AIR IN