

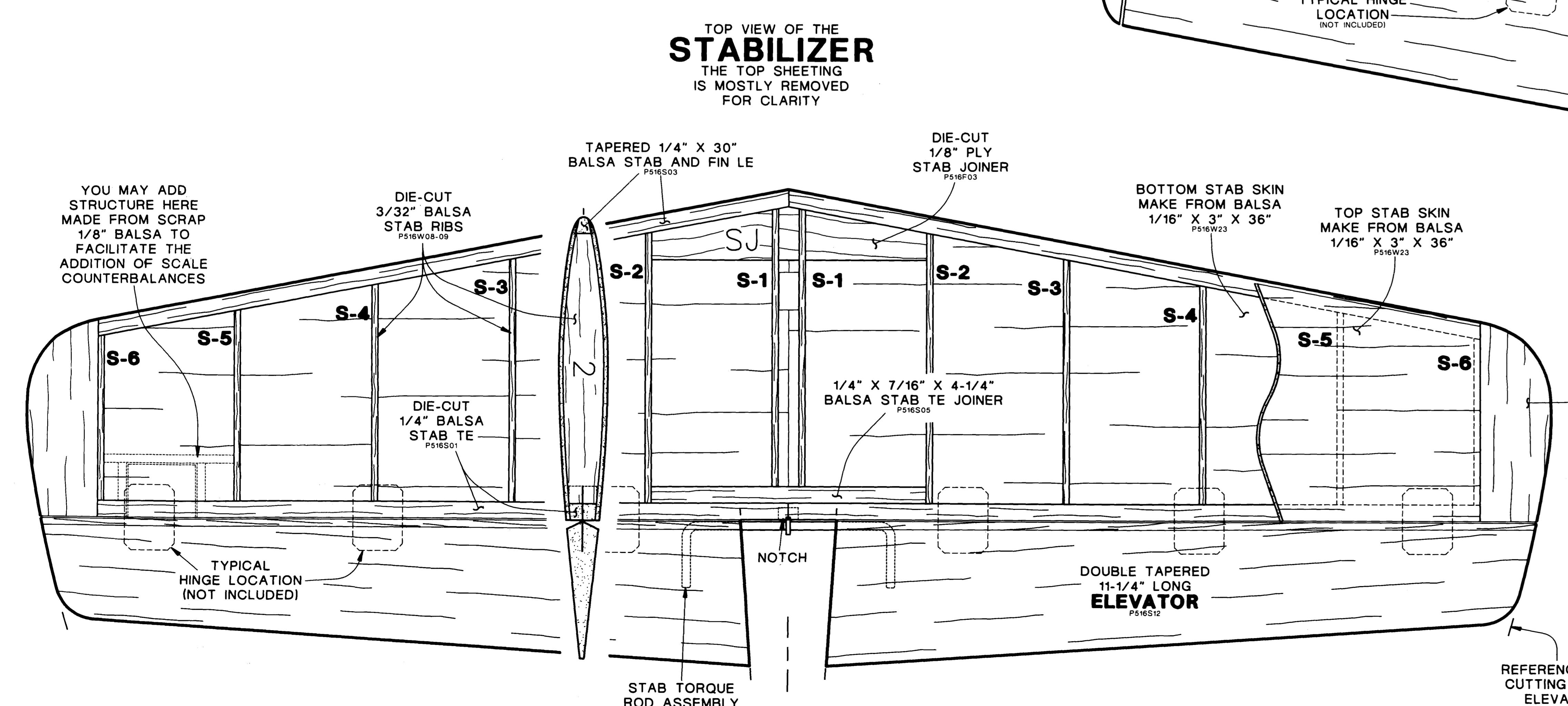
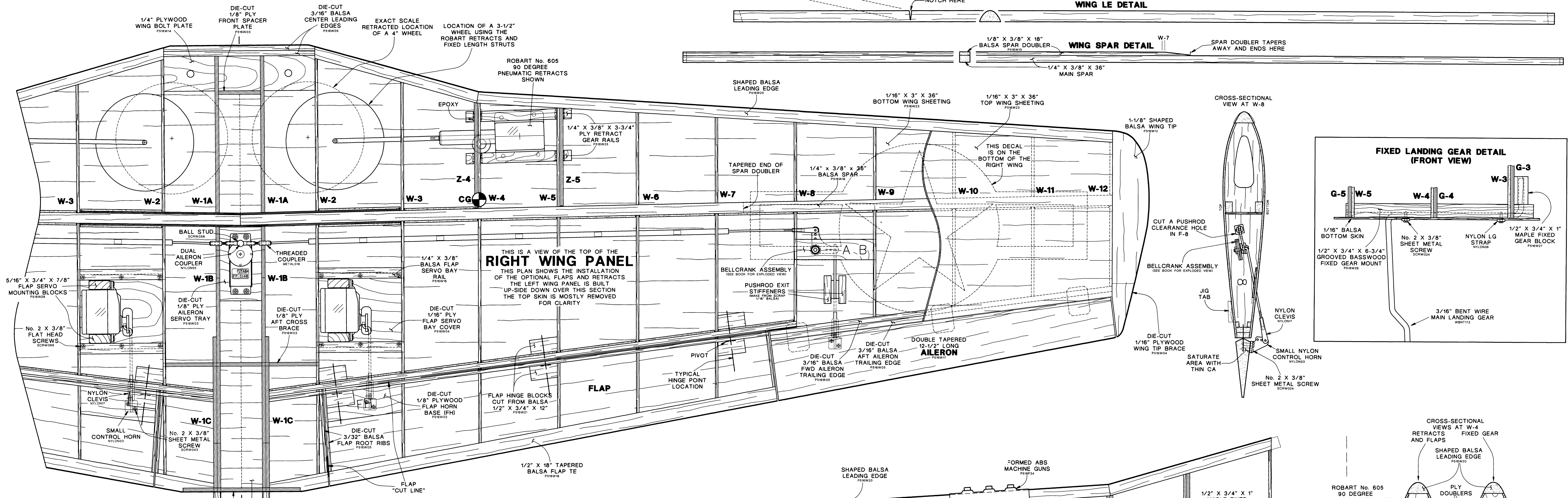
ALL COMMERCIAL RIGHTS RESERVED FUSE PLAN No. P516P02

P-51D MUSTANG

DESIGNED AND DRAWN BY: DAVID J. RIBBE

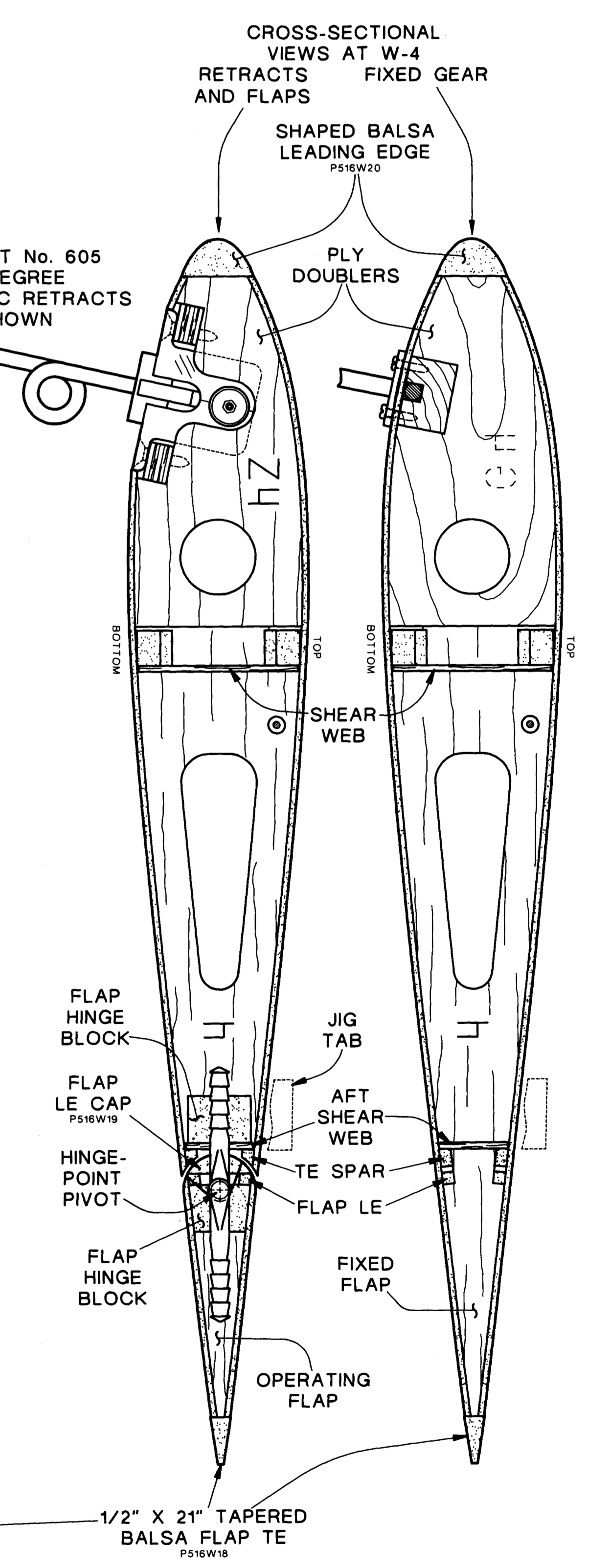
TOP FLITE MODELS

PO BOX 721 URBANA, IL 61801



SPECIFICATIONS

WING SPAN	65"
WING AREA	734 sq. in.
WING LOADING	25-30 oz./sq. ft.
WEIGHT	8-10 lbs.
ENGINE	60-90 2C 90-120 4C
RADIO	4-6 CHANNEL



ALL COMMERCIAL RIGHTS RESERVED WING PLAN No. P516P01

P-51D MUSTANG

DESIGNED AND DRAWN BY: DAVID J. RIBBE

TOP FLITE MODELS

PO BOX 721 URBANA, IL 61801