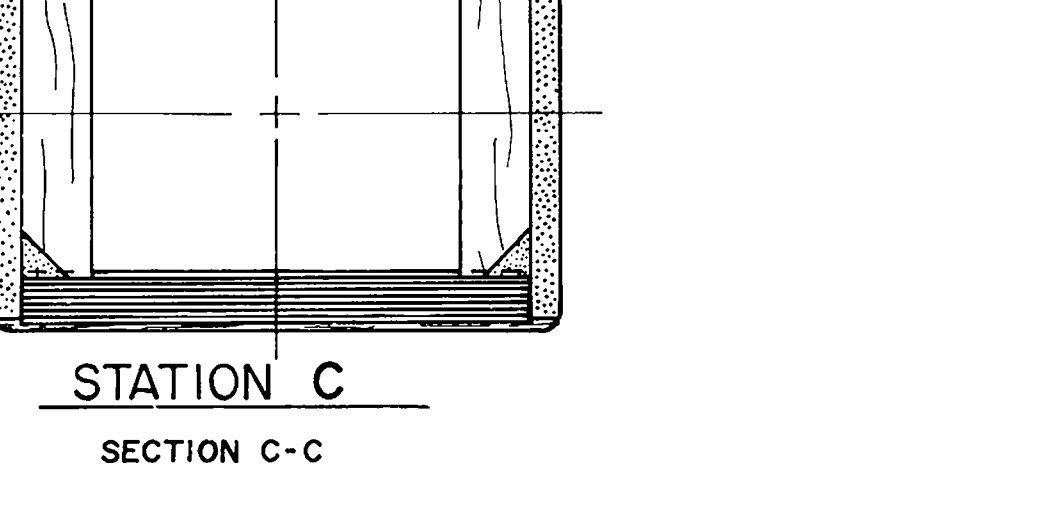
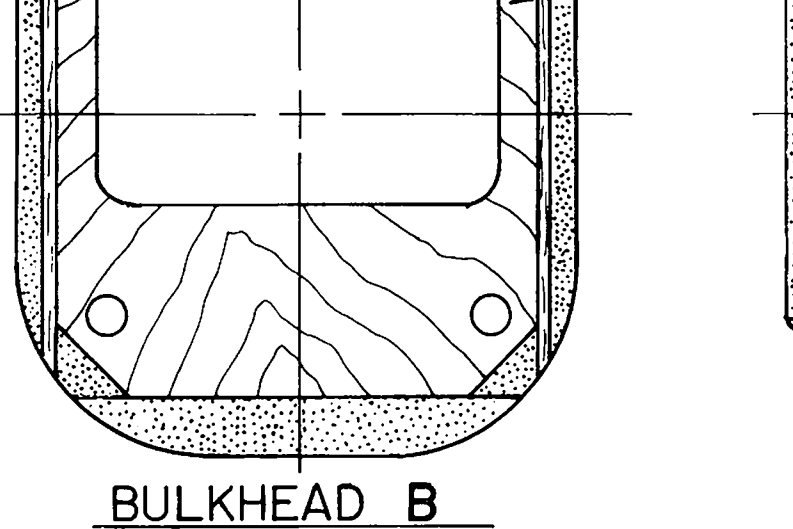
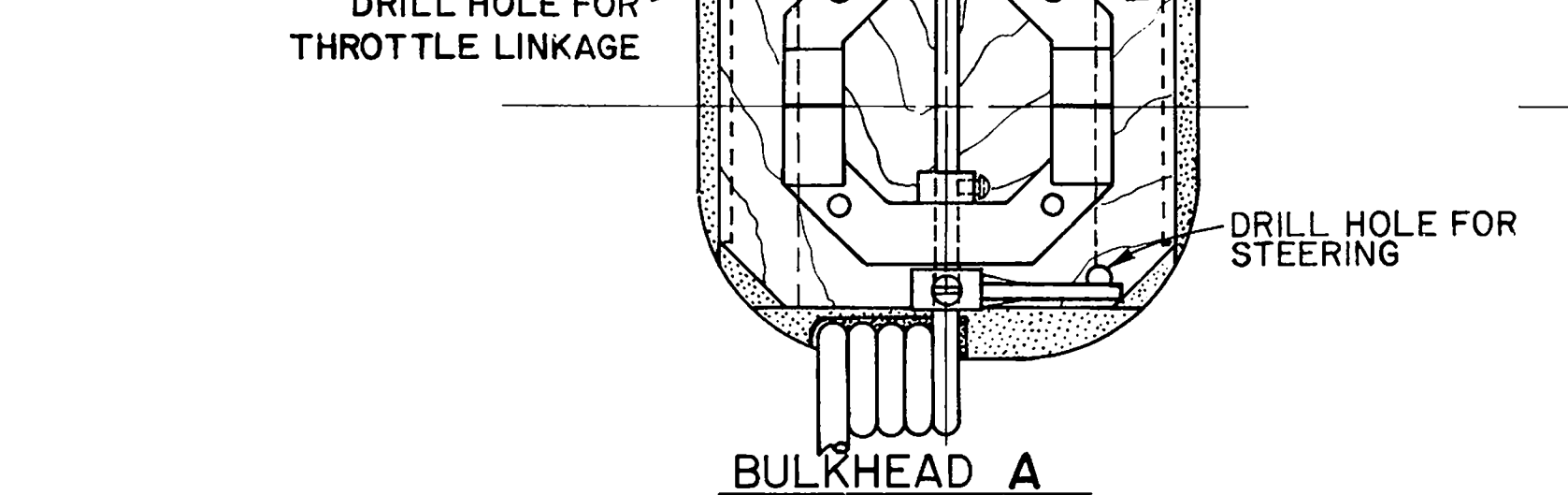
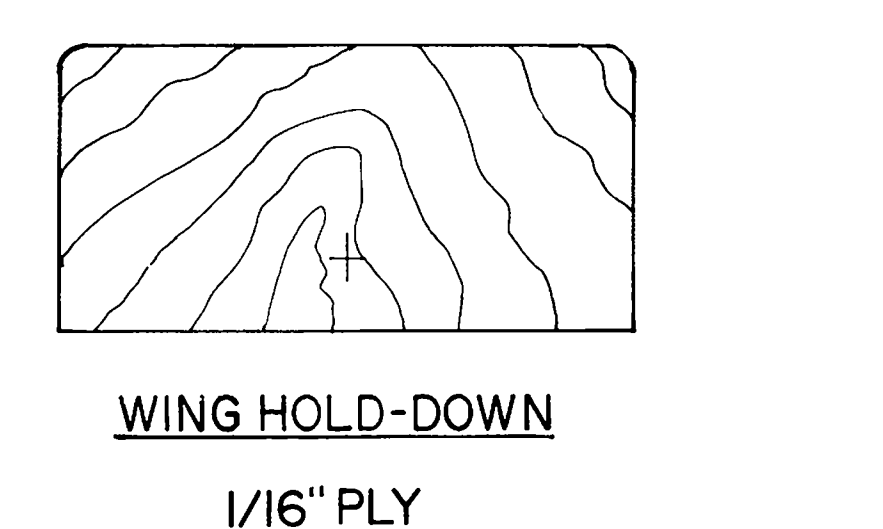
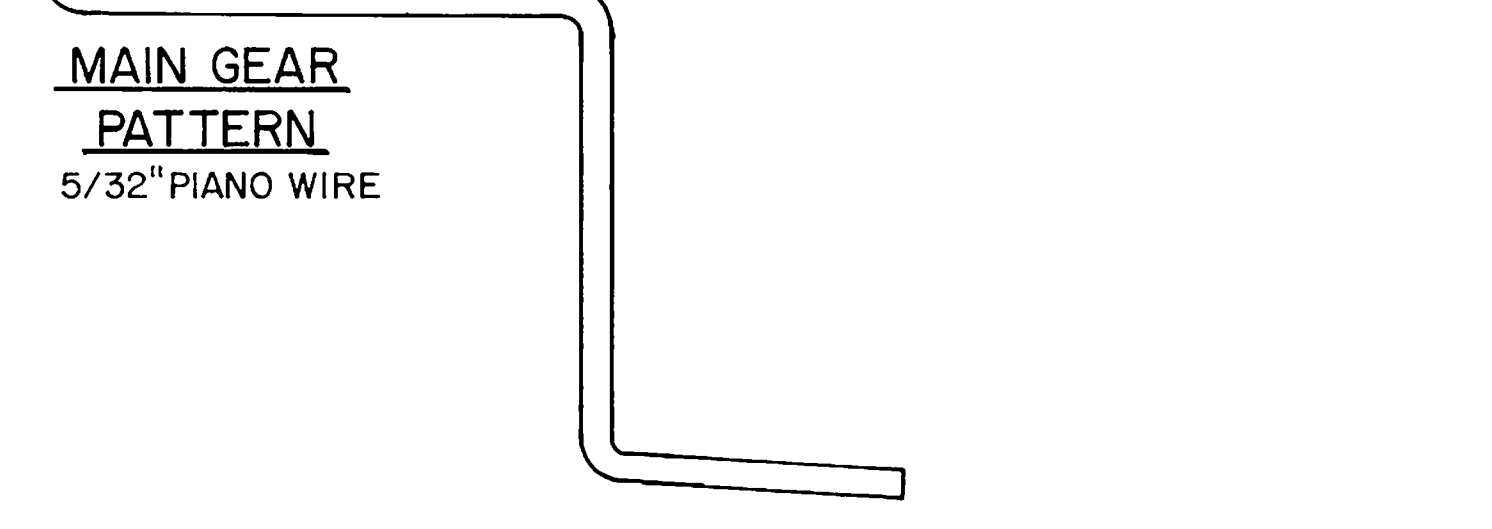
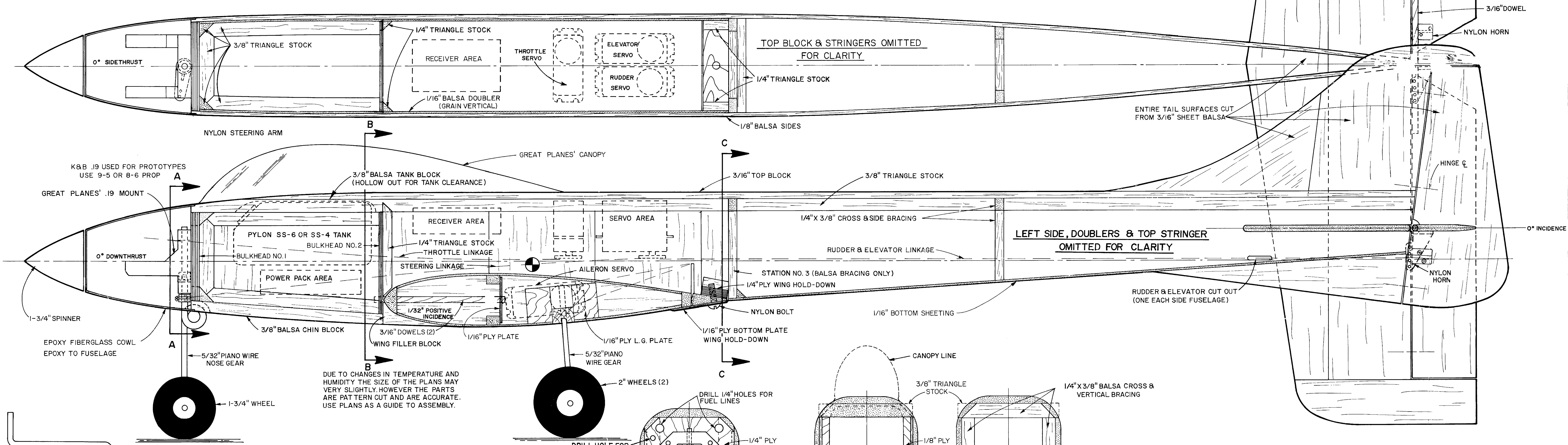
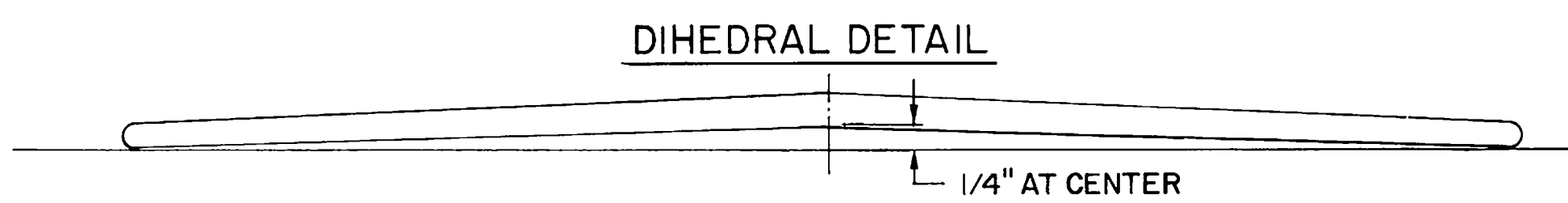
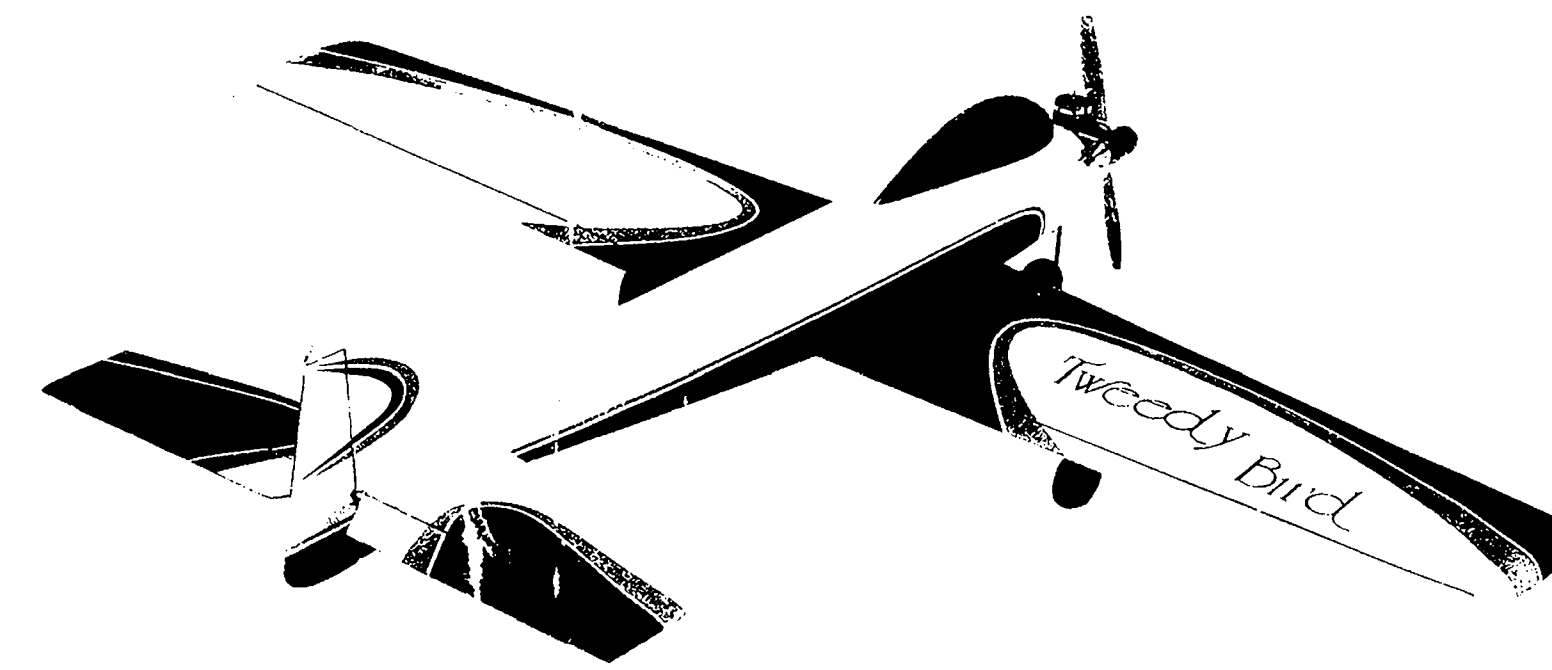
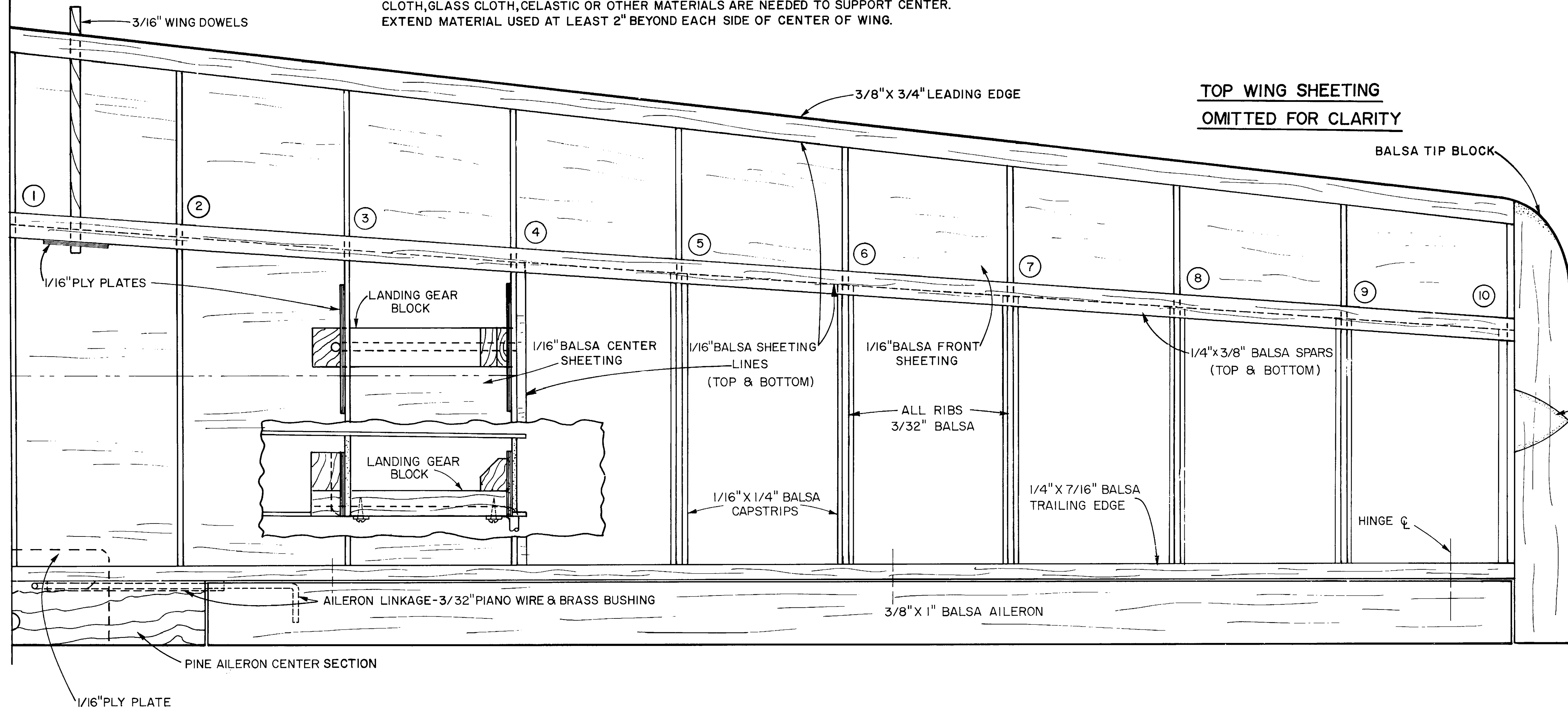


NOTE: CENTER SECTION BUTTS TOGETHER ONLY, NO CENTER DIHEDRAL BRACES ARE NEEDED.  
CLOTH, GLASS CLOTH, CELASTIC OR OTHER MATERIALS ARE NEEDED TO SUPPORT CENTER.  
EXTEND MATERIAL USED AT LEAST 2" BEYOND EACH SIDE OF CENTER OF WING.



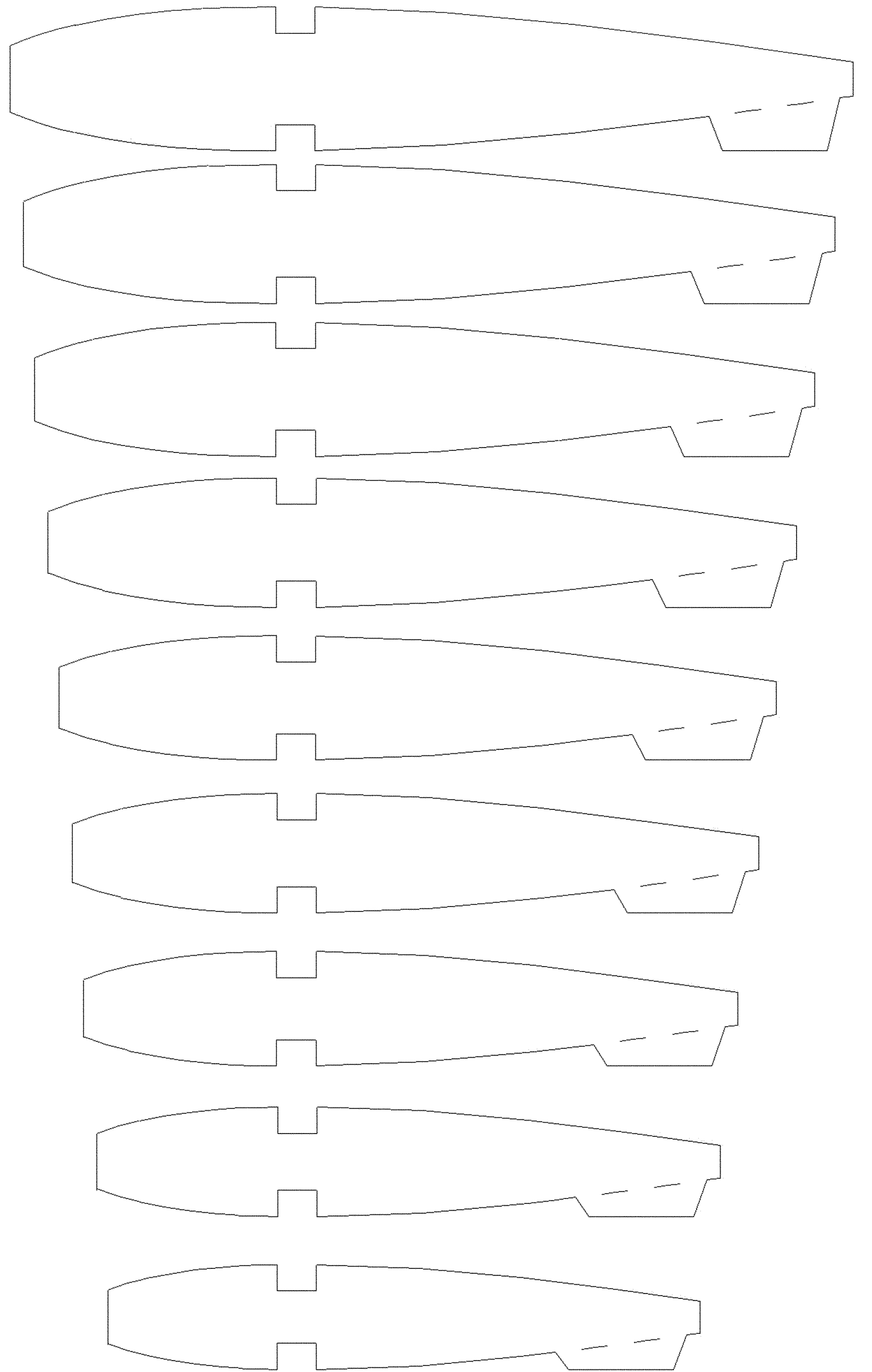
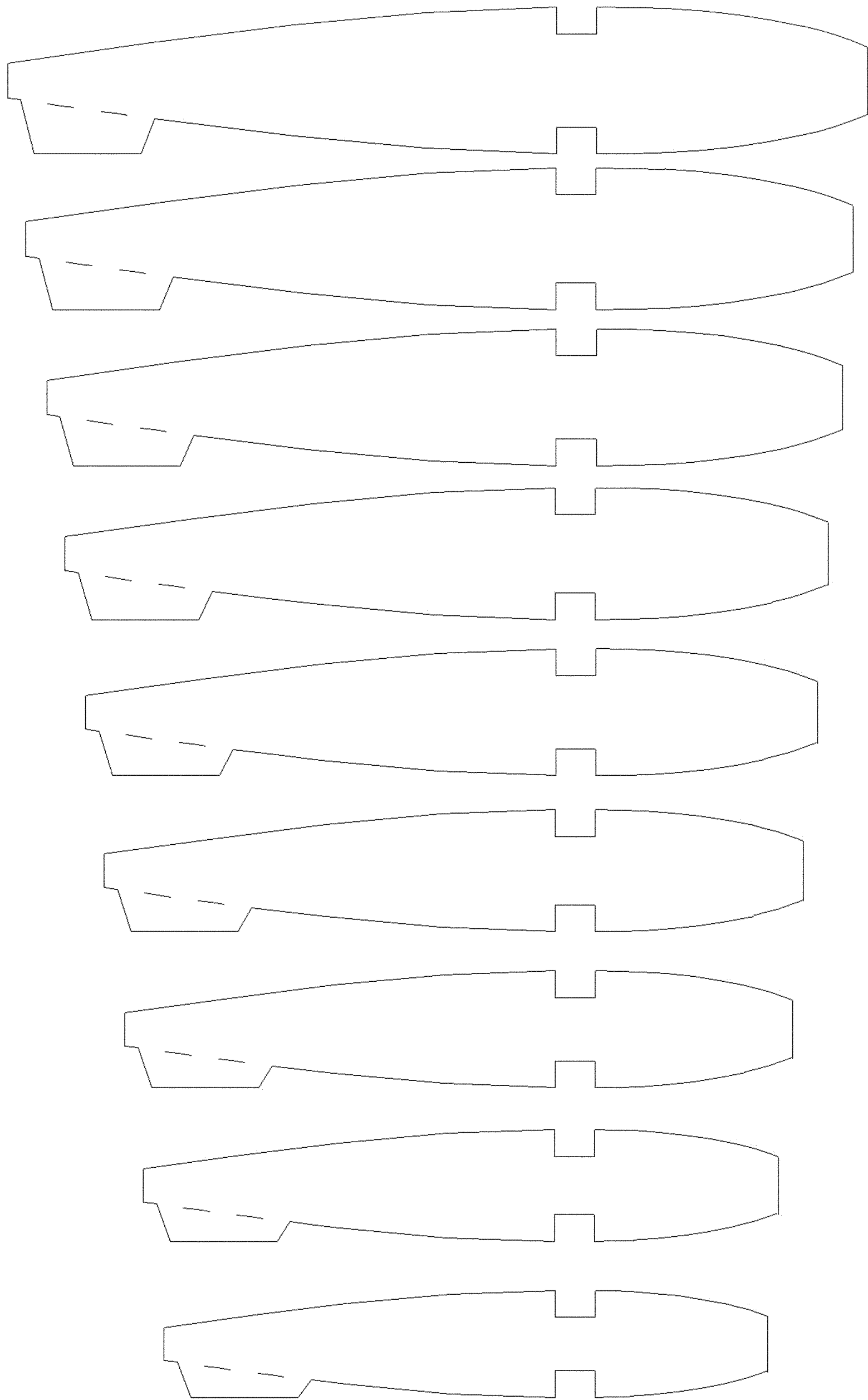
WING AREA 400 SQ. IN.  
WING SPAN 48-3/4"  
FUSELAGE LENGTH 42"  
ENGINE DISP 15-.30  
WEIGHT 3-1/2 LBS.  
DESIGNED FOR SPORT FLYING

ALL RIGHTS RESERVED. COMMERCIAL USE OF THIS PLAN STRICTLY INTERDICTED.

**Tweedy Bird**

DESIGNED & DRAWN BY JOSEPH BRIDI INKED BY TONY JOHNSON

**GREAT PLANES**  
MODEL MANUFACTURING CO.  
P.O. BOX 721 RBANA, ILL. 61801



Tweedy Bird Rib Templates