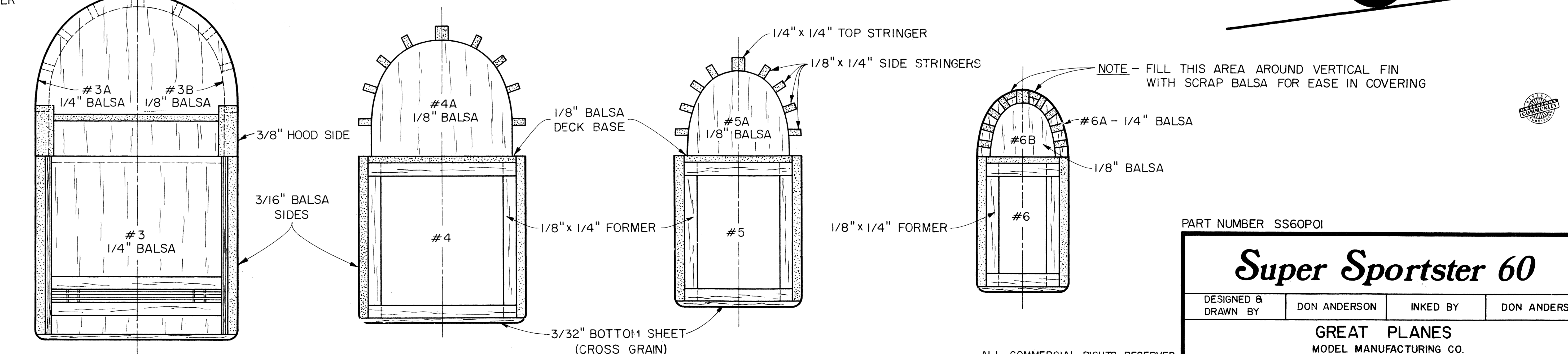
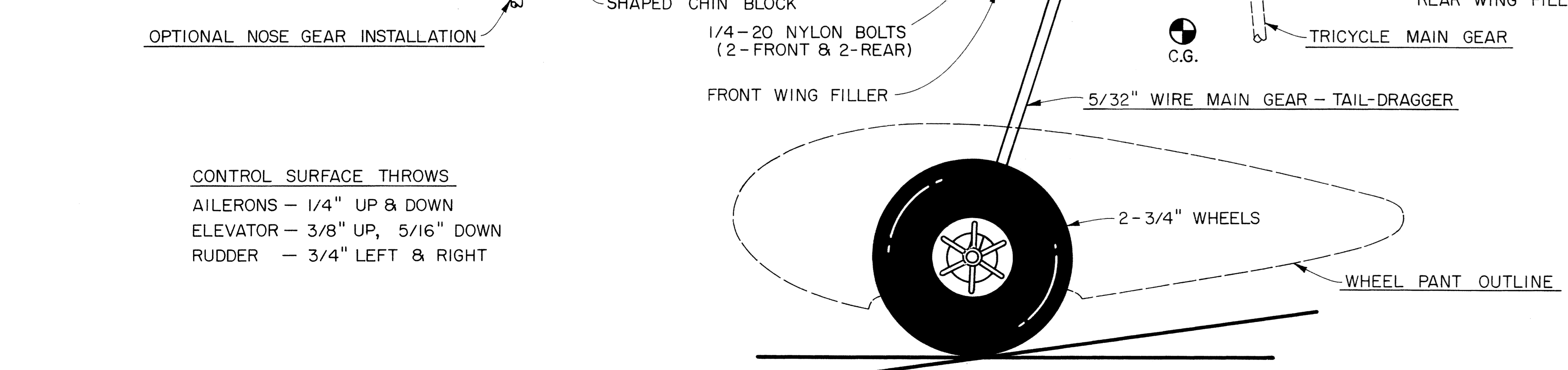
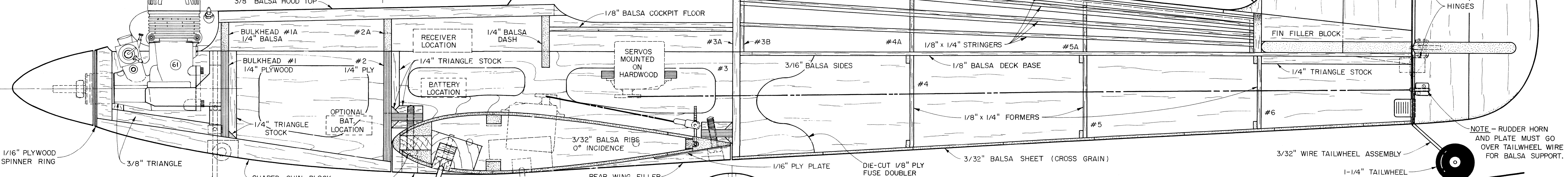
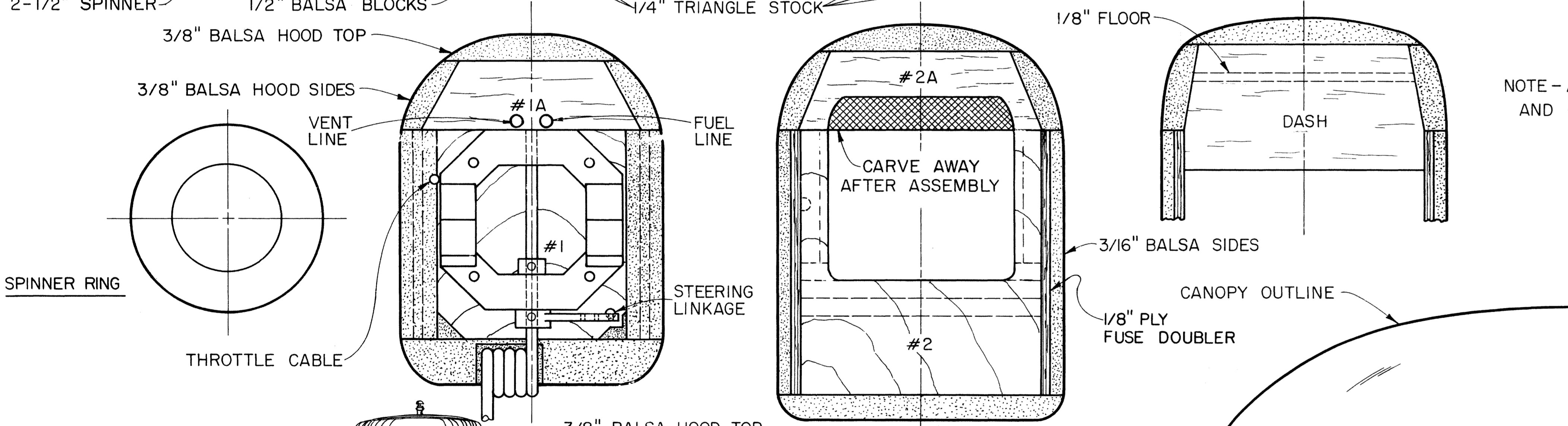
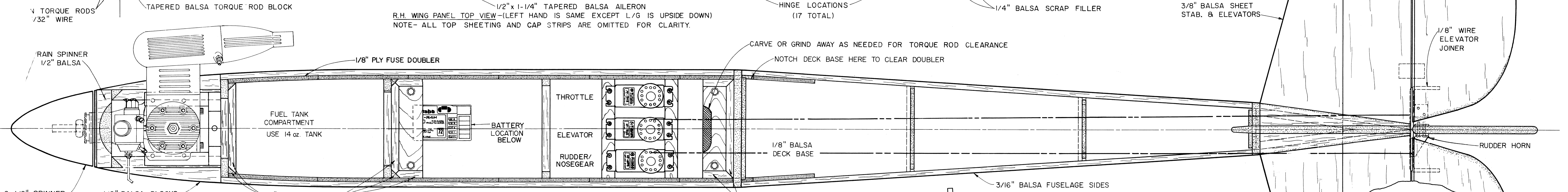


NOTE - CENTER SECTION BUTTS TOGETHER ONLY. FIBERGLASS CLOTH APPLIED WITH RESIN MUST BE USED. FAILURE TO FOLLOW INSTRUCTIONS COVERING THIS STEP WILL RESULT IN A CRASH AND ENDANGER OTHERS.



CONTROL SURFACE THROWS
 AILERONS - 1/4" UP & DOWN
 ELEVATOR - 3/8" UP, 5/16" DOWN
 RUDDER - 3/4" LEFT & RIGHT

FUSELAGE SIDE VIEW
 NOTE - ALL L. H. SIDE SHEETING IS OMITTED FOR CLARITY

PART NUMBER SS60P01

Super Sportster 60

DESIGNED & DRAWN BY DON ANDERSON INKED BY DON ANDERSON

GREAT PLANES MODEL MANUFACTURING CO. URBANA, ILL. 61801

ALL COMMERCIAL RIGHTS RESERVED