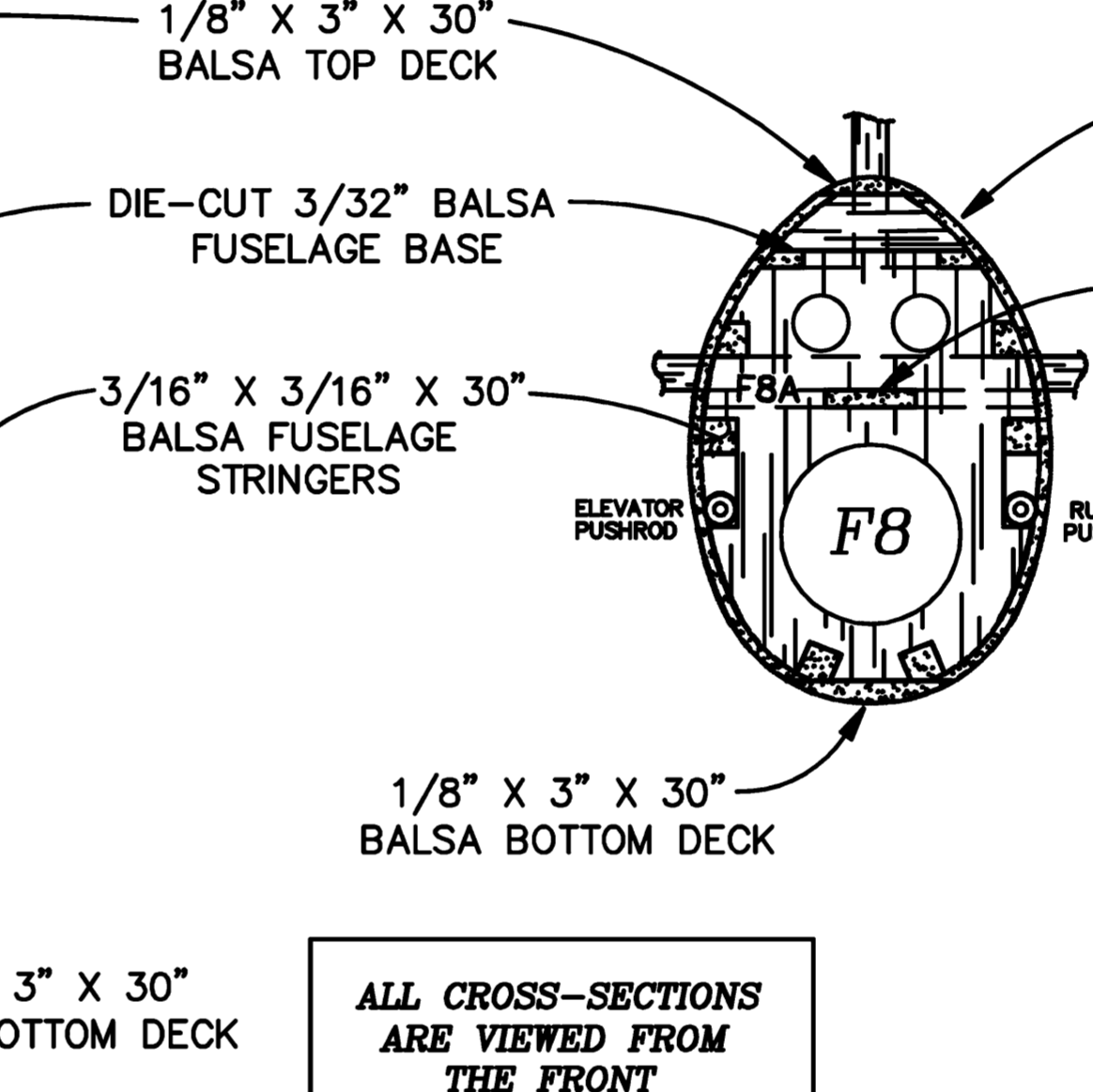
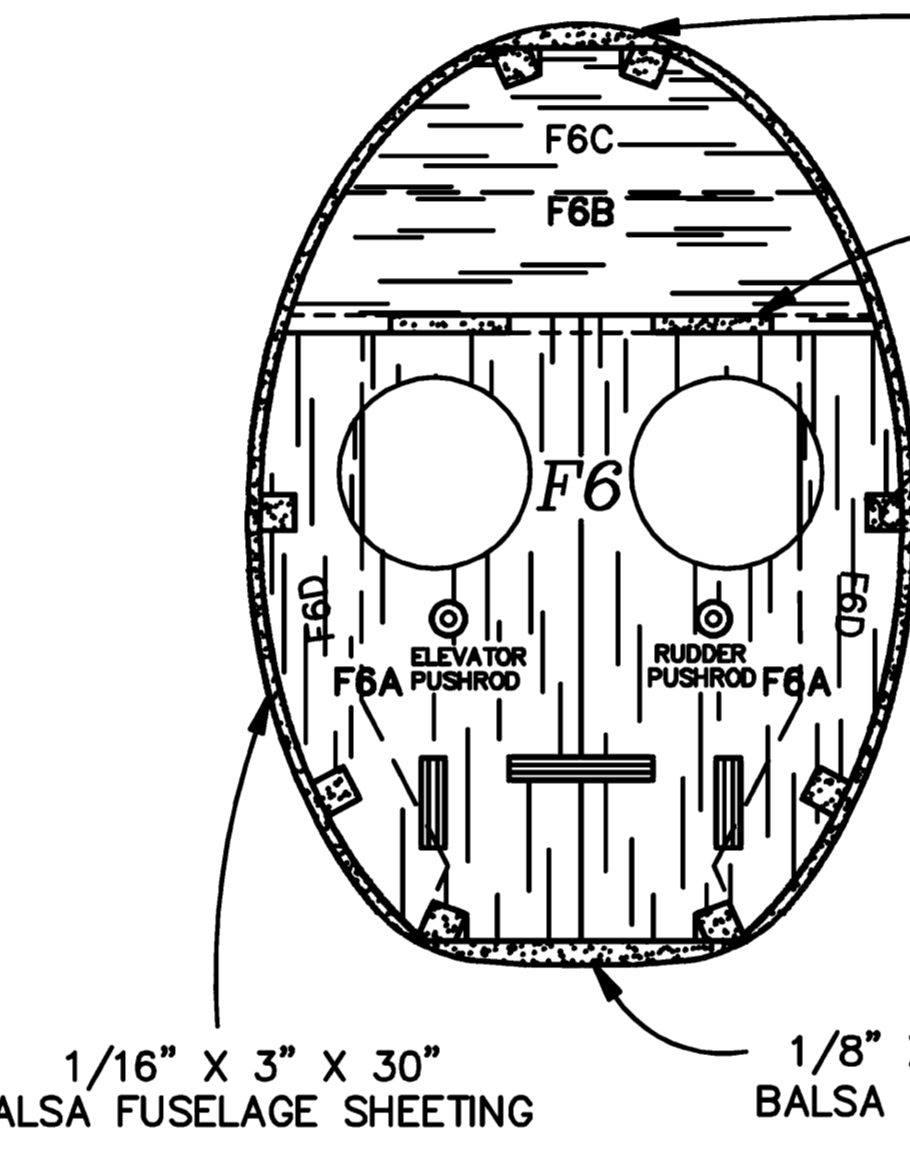
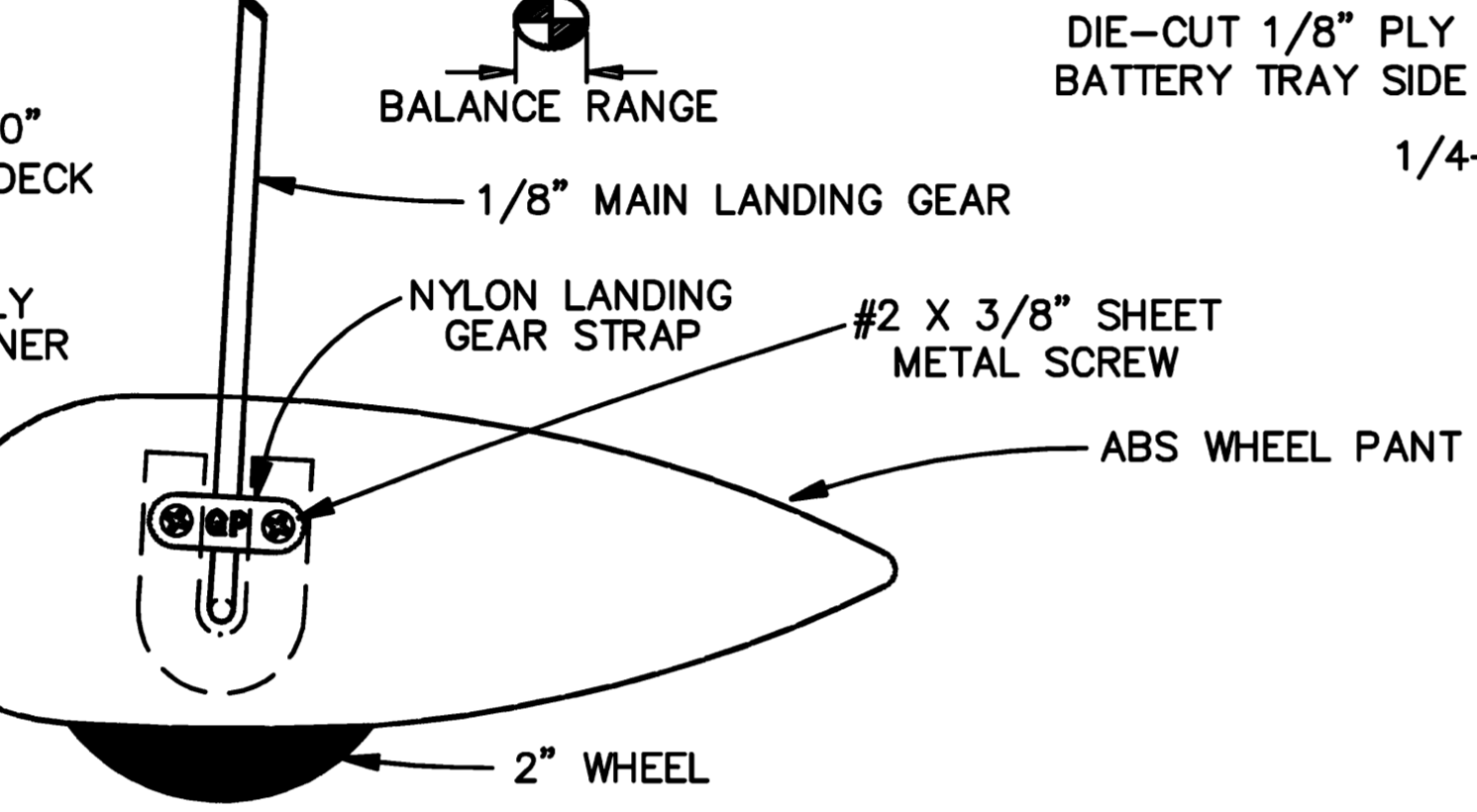
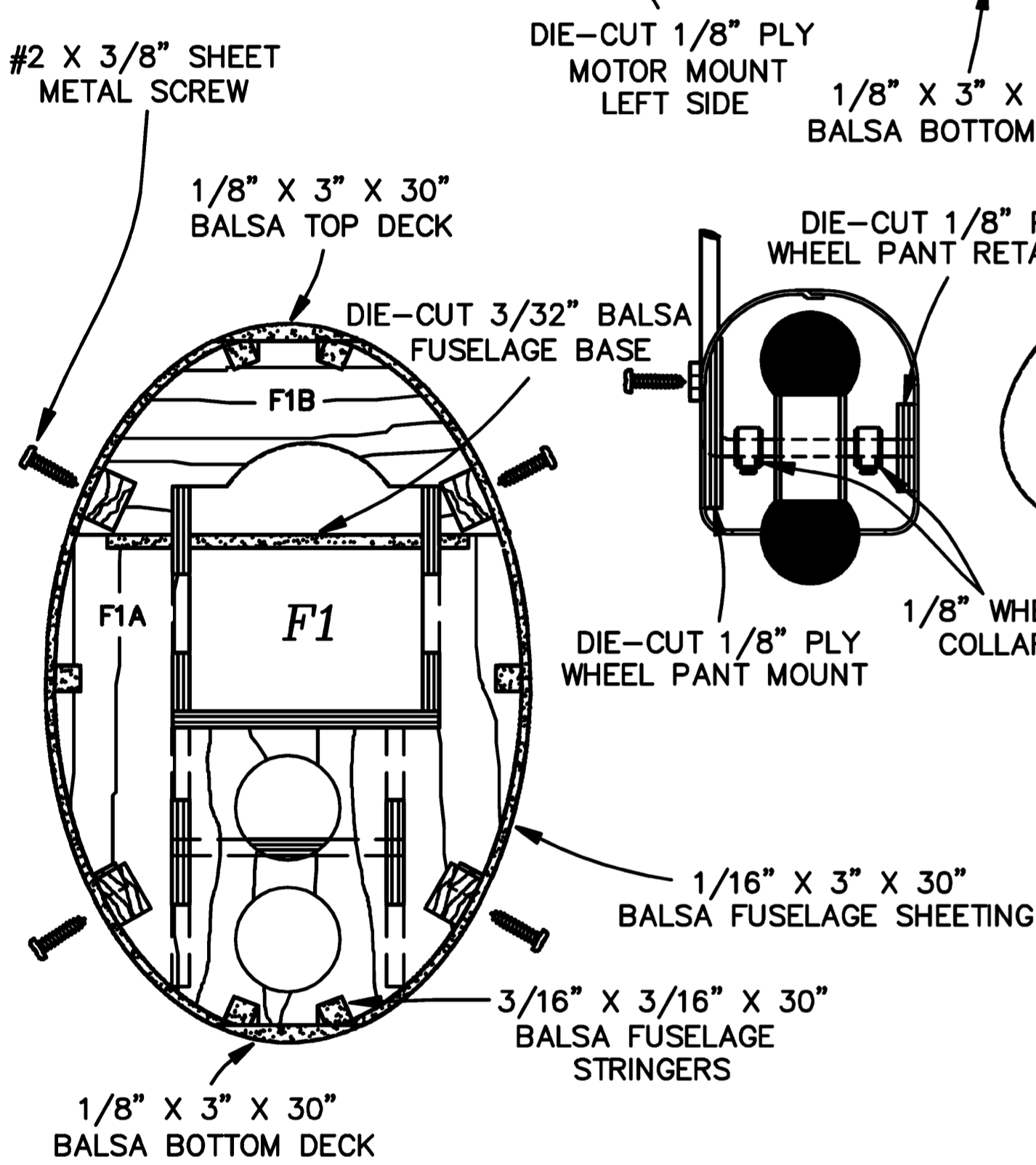
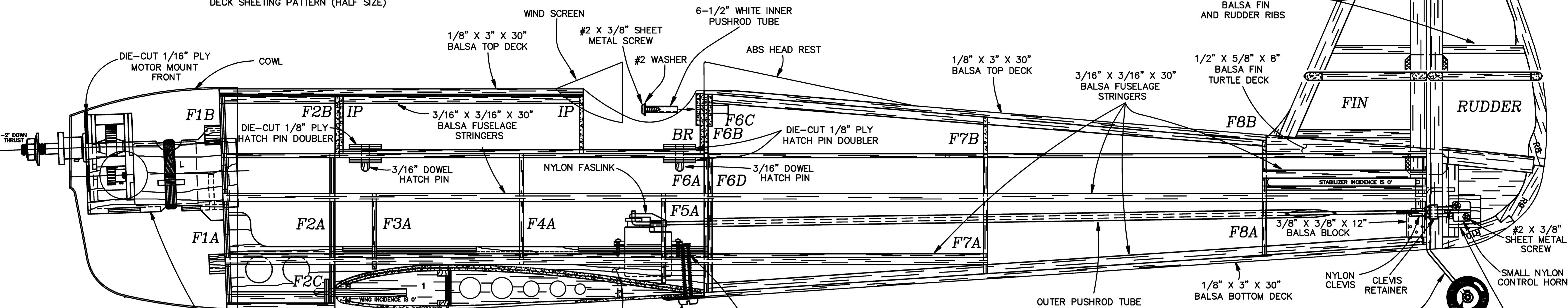
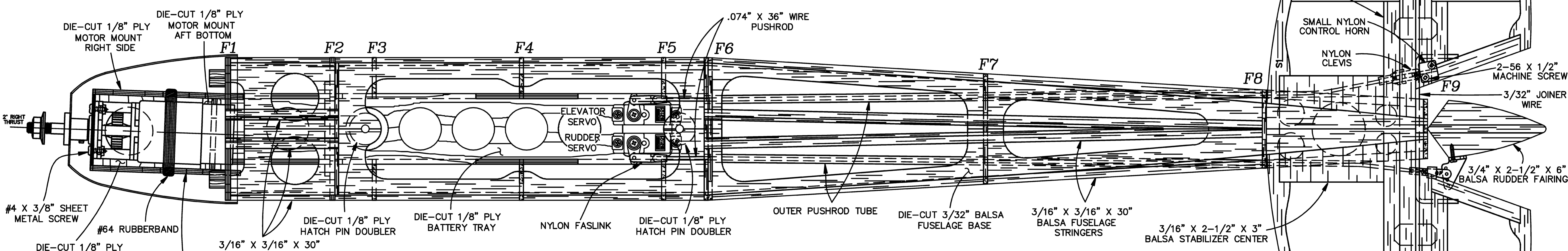
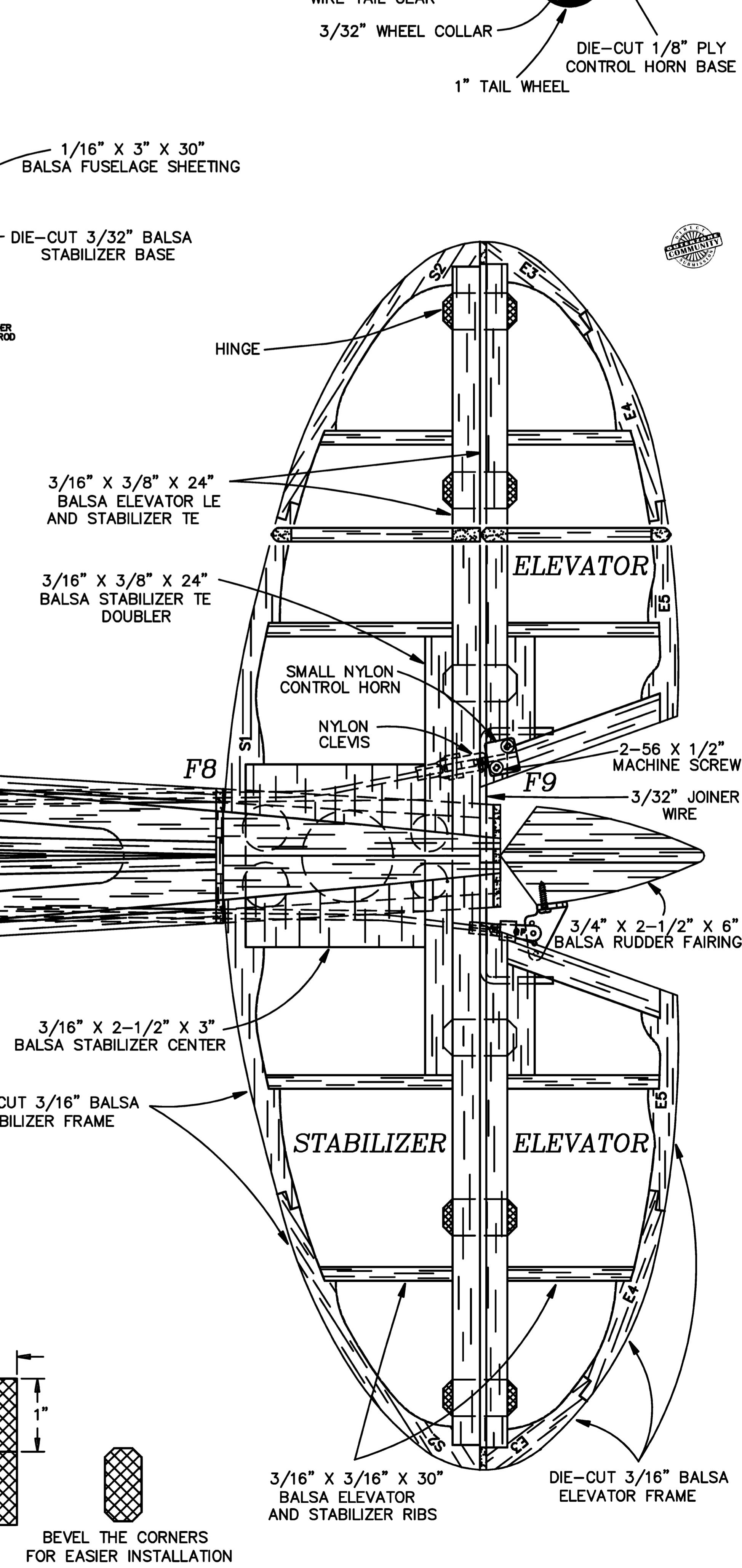


FUSELAGE LEFT SIDE VIEW

1/16" Balsa fuselage sheeting removed for clarity



ALL CROSS-SECTIONS ARE VIEWED FROM THE FRONT



FUSELAGE TOP VIEW

1/16" Balsa fuselage sheeting removed for clarity

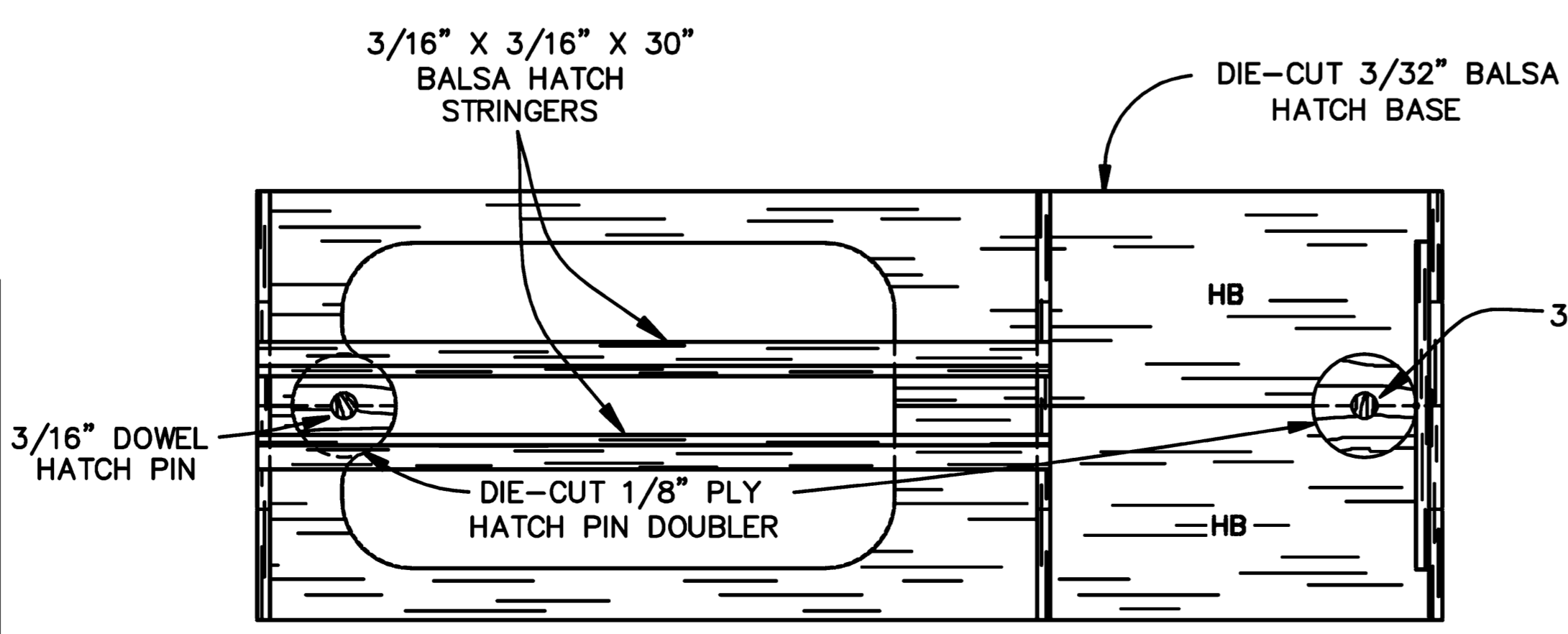
FUSELAGE PLAN PLAN NO: RYN1P02

RYAN STA EP

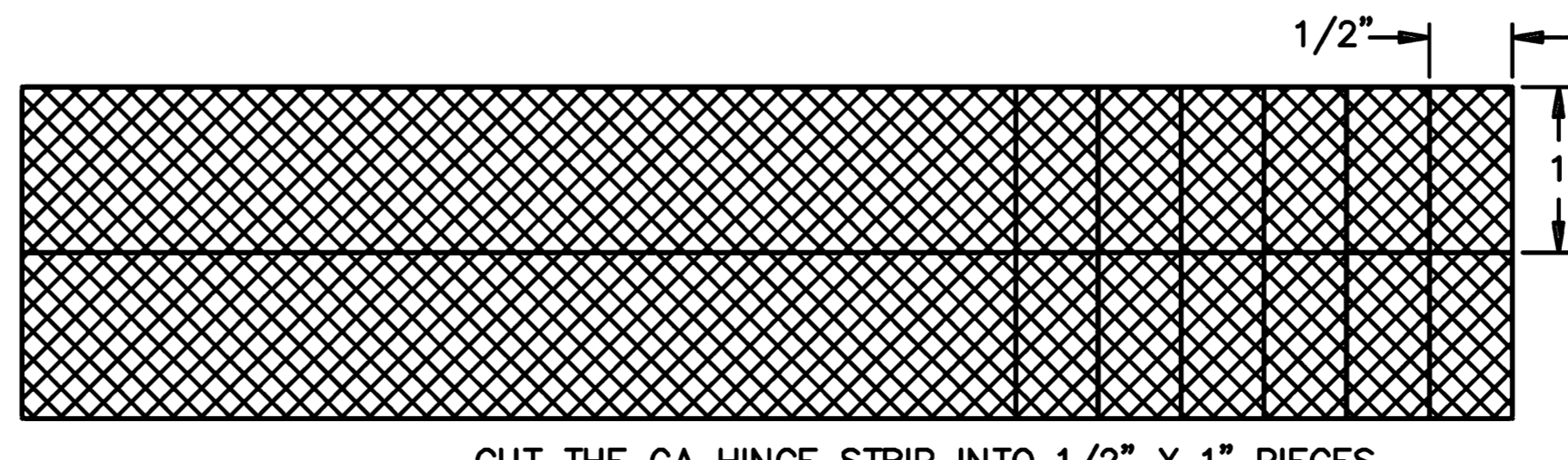
DESIGNED AND DRAWN BY: MARK HAMPE
INSTRUCTIONS BY: MARK HAMPE

GREAT PLANES
MODEL MANUFACTURING COMPANY

© 2001 P.O. Box 788 Urbana, Illinois 61801 (217) 398-8970 ALL COMMERCIAL RIGHTS RESERVED



BATTERY HATCH



BEVEL THE CORNERS FOR EASIER INSTALLATION

