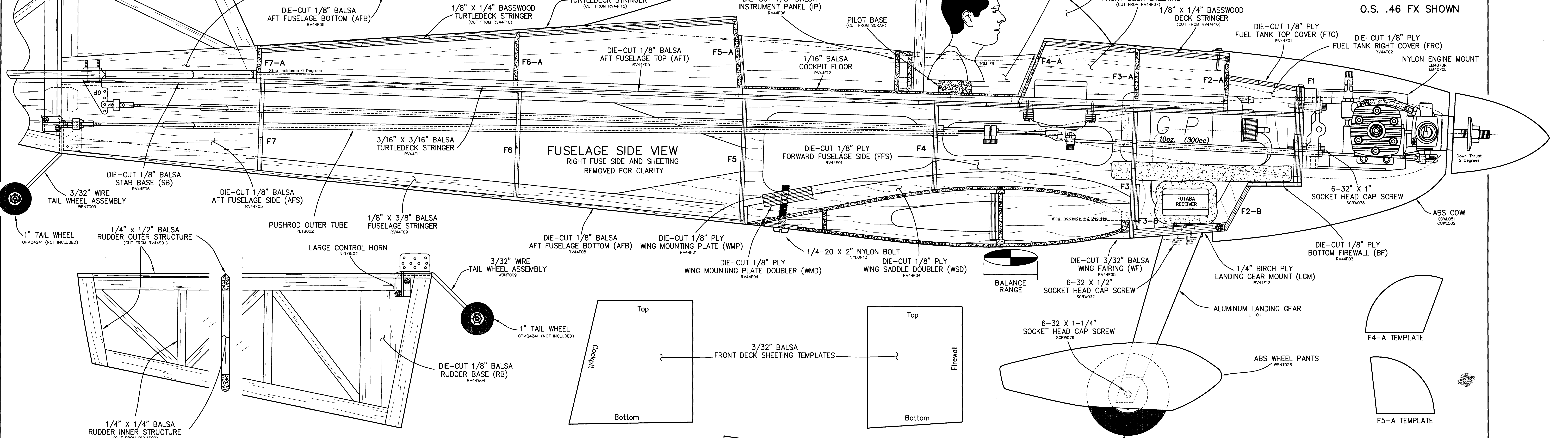
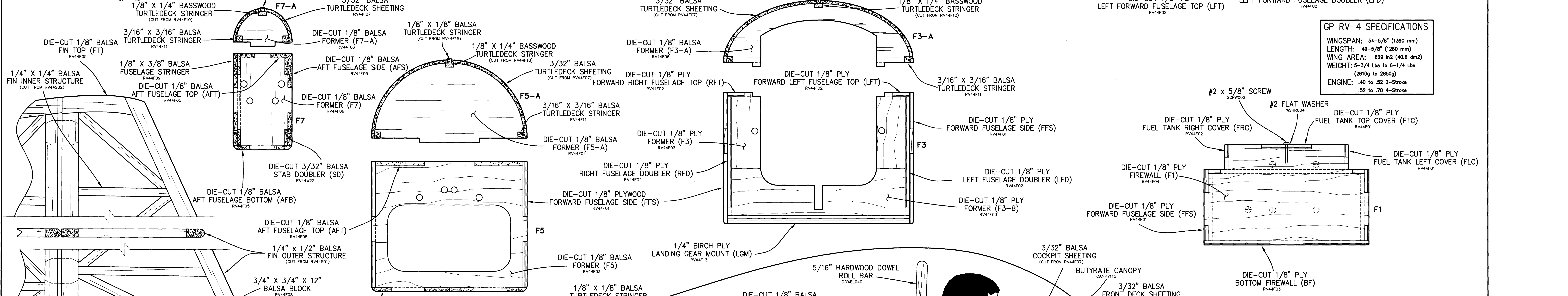


GP RV-4 SPECIFICATIONS
 WINGSPAN: 54-5/8" (1390 mm)
 LENGTH: 49-5/8" (1260 mm)
 WING AREA: 629 in² (40.8 dm²)
 WEIGHT: 5-3/4 lbs to 6-1/4 lbs (2610g to 2850g)
 ENGINE: .40 to .52 2-Stroke
 .52 to .70 4-Stroke



CONTROL SURFACE THROWS

	HIGH RATE	LOW RATE
ELEVATOR	5/8" [16MM] UP 5/8" [16MM] DOWN	1/4" [7MM] UP 1/4" [7MM] DOWN
RUDDER	1-1/16" [27MM] LEFT 1-1/16" [27MM] RIGHT	7/8" [22MM] LEFT 7/8" [22MM] RIGHT
AILERONS	3/4" [19MM] UP 3/4" [19MM] DOWN	1/2" [13MM] UP 1/2" [13MM] DOWN
FLAPS	1" [25MM] DOWN	1/2" [13MM] DOWN

QUESTIONS??
 e-mail us at
 productsupport@greatplanes.com
 or call (217)398-8970
 Visit our Web Site at
 www.greatplanes.com

FUSELAGE PLAN PLAN NO: RV44P01

RV-4

DESIGNED BY: MIGUEL A. FRONTERA
 DRAWN BY: MIGUEL A. FRONTERA
 INSTRUCTIONS BY: JIM SANDQUIST

ALL COMMERCIAL RIGHTS RESERVED ©2001 P.O. Box 788 Urbana, Illinois 61803 (217) 398-8970

