

CONTROL SURFACE THROWS

	HIGH RATE	LOW RATE
ELEVATOR	5/8" [16mm] UP 5/8" [16mm] DOWN	7/16" [11mm] UP 7/16" [11mm] DOWN
RUDDER	1-1/2" [38mm] LEFT 1-1/2" [38mm] RIGHT	1" [25.4mm] LEFT 1" [25mm] RIGHT
AILERONS	7/16" [11mm] UP 5/16" [8mm] DOWN	5/16" [8mm] UP 1/4" [6.4mm] DOWN

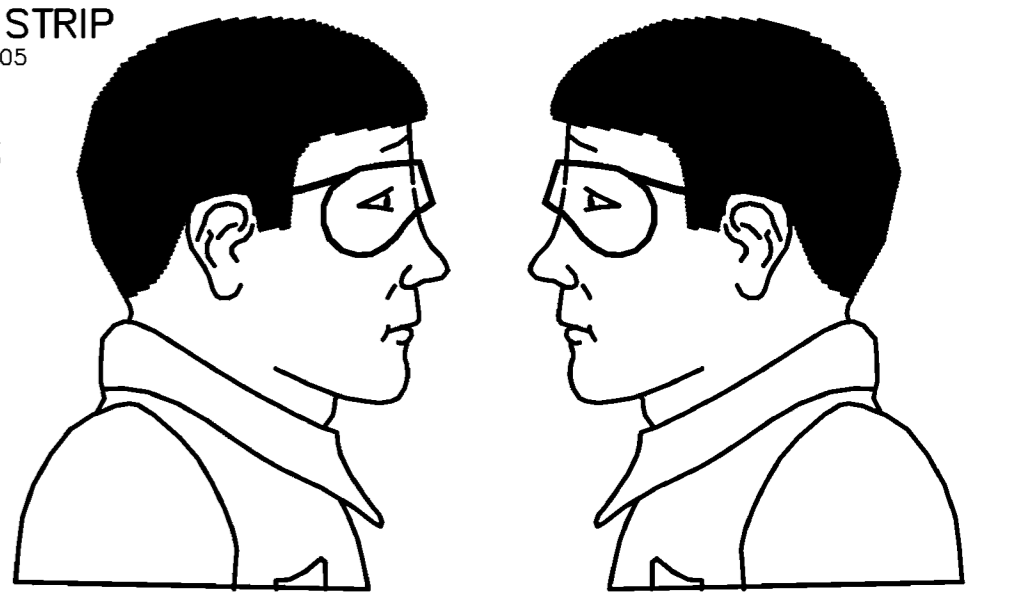
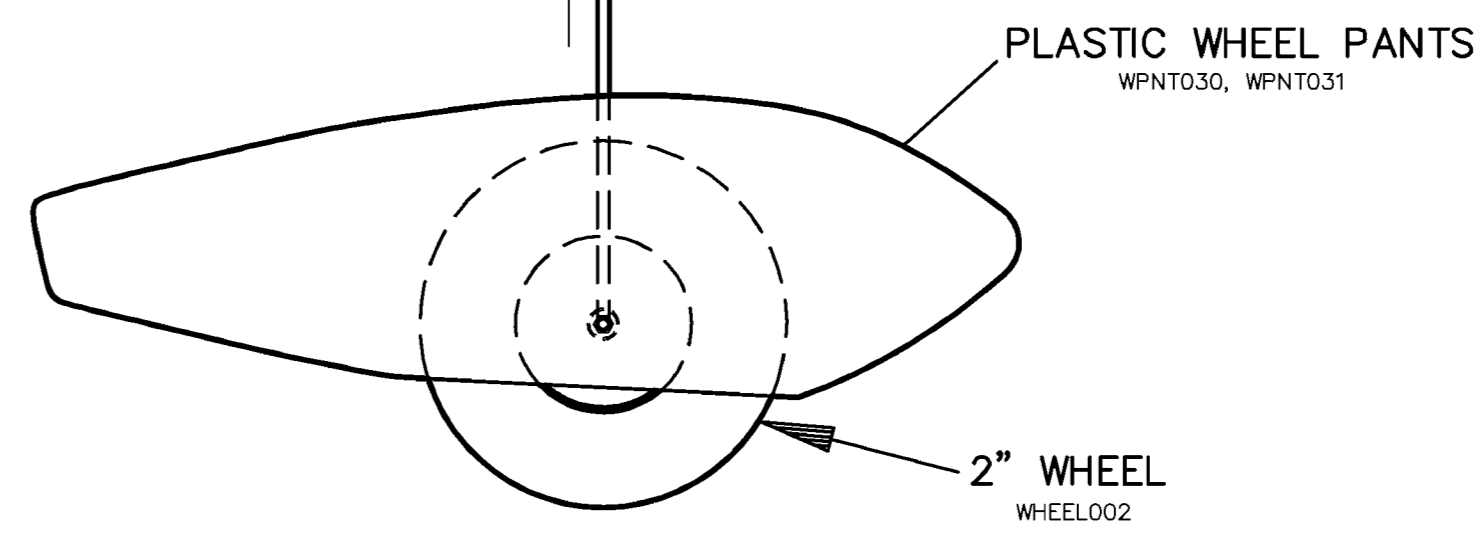
ALL COMMERCIAL RIGHTS RESERVED FUSELAGE PLAN NO: RV4PP02

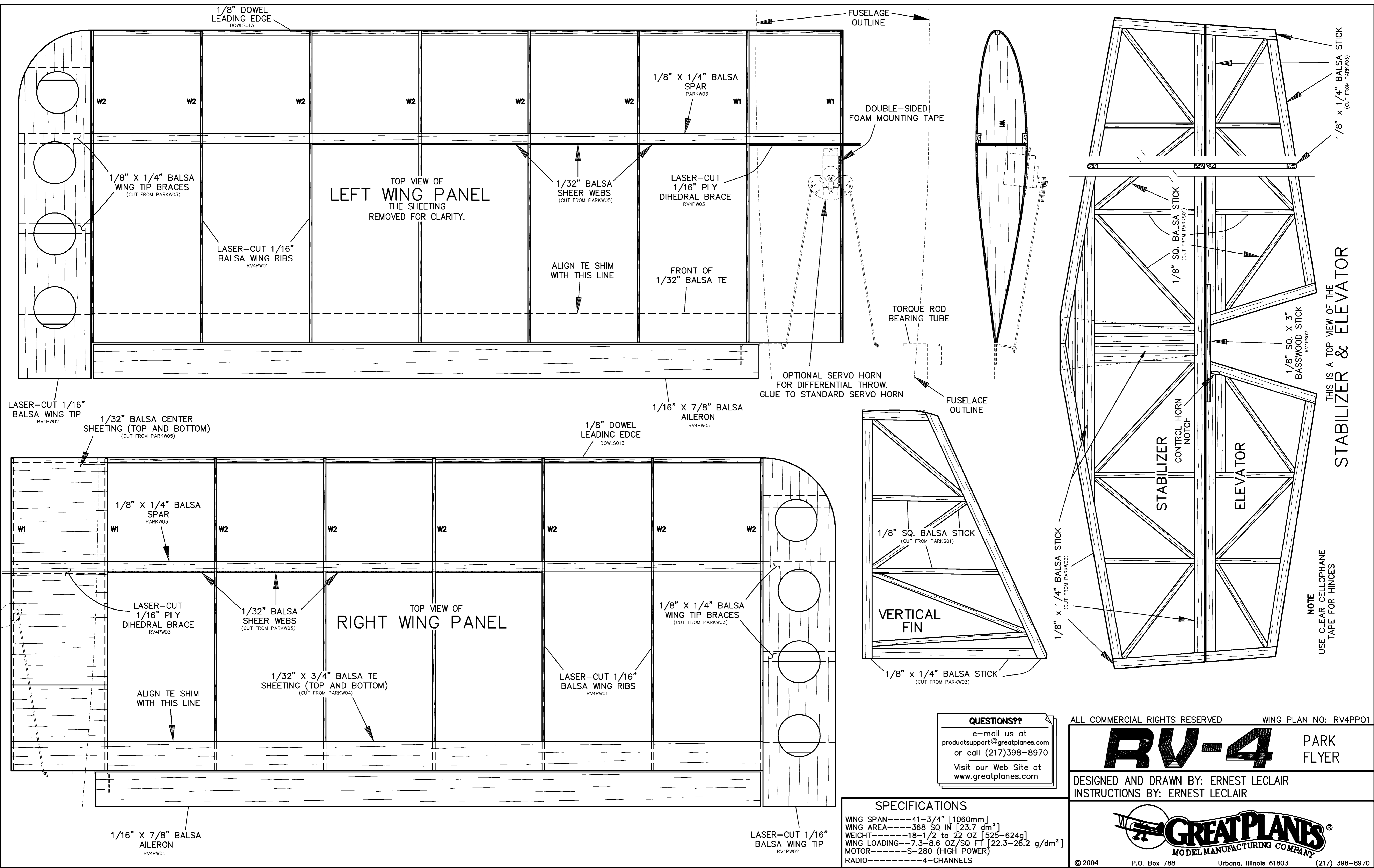
RV-4

PARK FLYER

DESIGNED AND DRAWN BY: ERNEST LECLAIR
INSTRUCTIONS BY: ERNEST LECLAIR

© 2004 P.O. Box 788 Urbana, Illinois 61803 (217) 398-8970





TOP VIEW OF
LEFT WING PANEL
THE SHEETING
REMOVED FOR CLARITY.

TOP VIEW OF
RIGHT WING PANEL

THIS IS A TOP VIEW OF THE
STABILIZER & ELEVATOR

QUESTIONS??
e-mail us at
productsupport@greatplanes.com
or call (217)398-8970
Visit our Web Site at
www.greatplanes.com

SPECIFICATIONS

WING SPAN	41-3/4" [1060mm]
WING AREA	368 SQ IN [23.7 dm ²]
WEIGHT	18-1/2 to 22 OZ [525-624g]
WING LOADING	7.3-8.6 OZ/SQ FT [22.3-26.2 g/dm ²]
MOTOR	S-280 (HIGH POWER)
RADIO	4-CHANNELS

ALL COMMERCIAL RIGHTS RESERVED WING PLAN NO: RV4PP01

RV-4 PARK FLYER

DESIGNED AND DRAWN BY: ERNEST LECLAIR
INSTRUCTIONS BY: ERNEST LECLAIR

