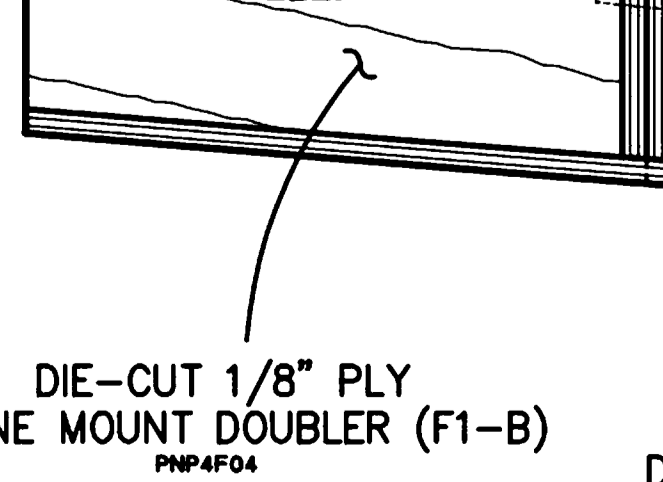
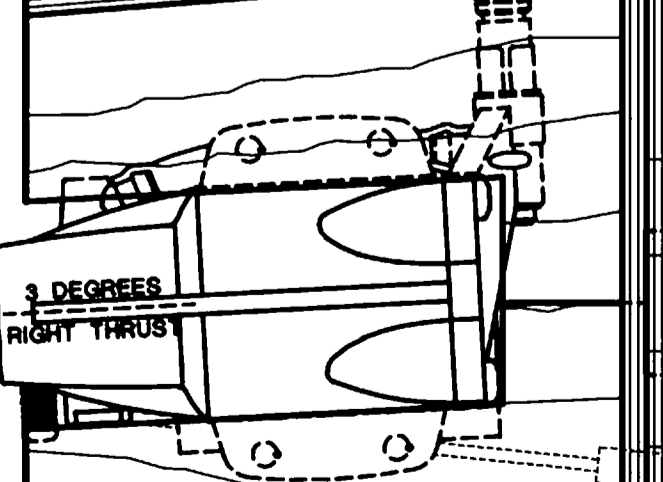
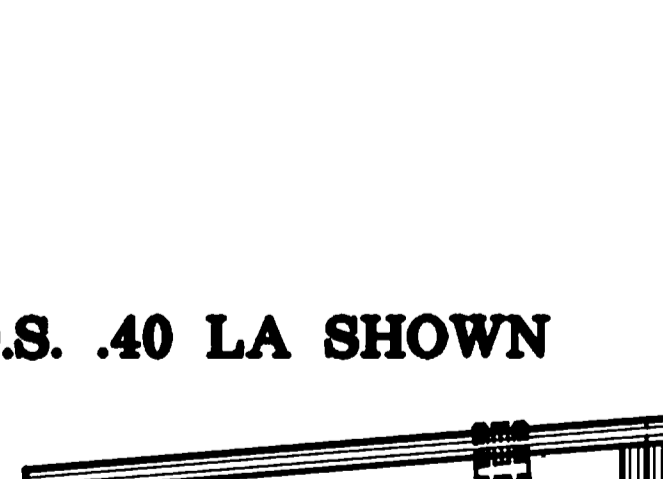
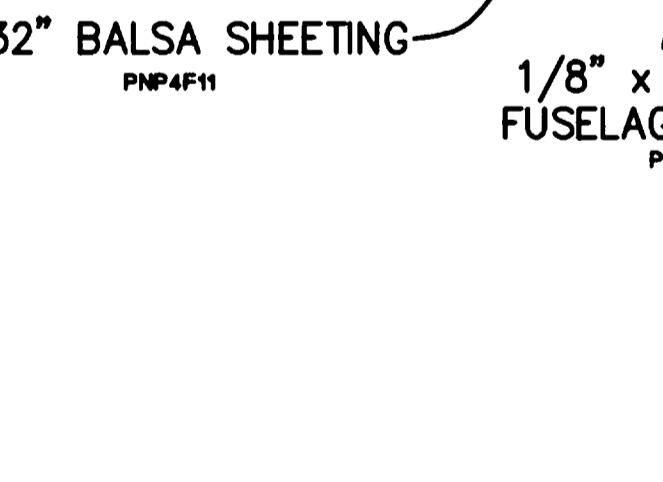
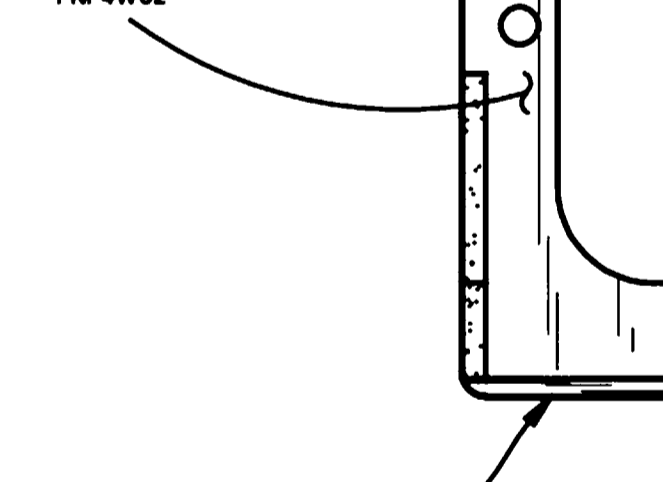
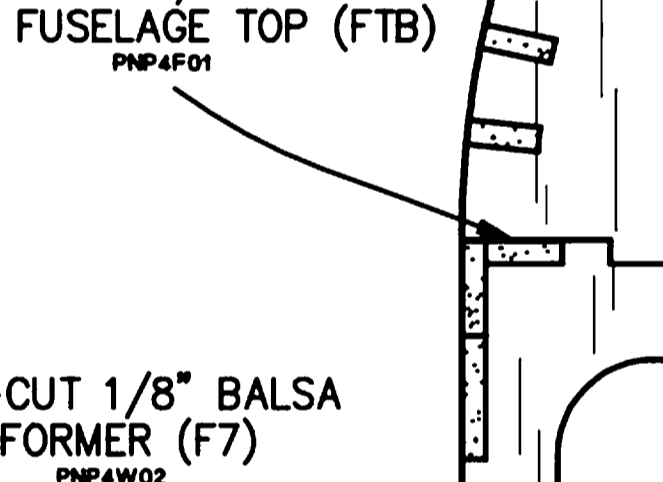
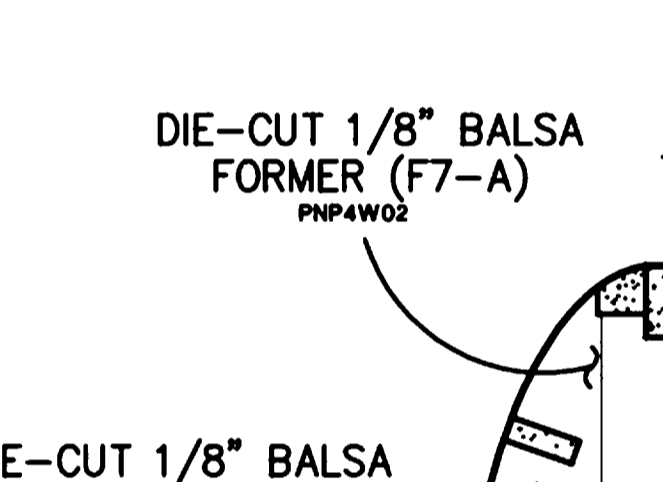
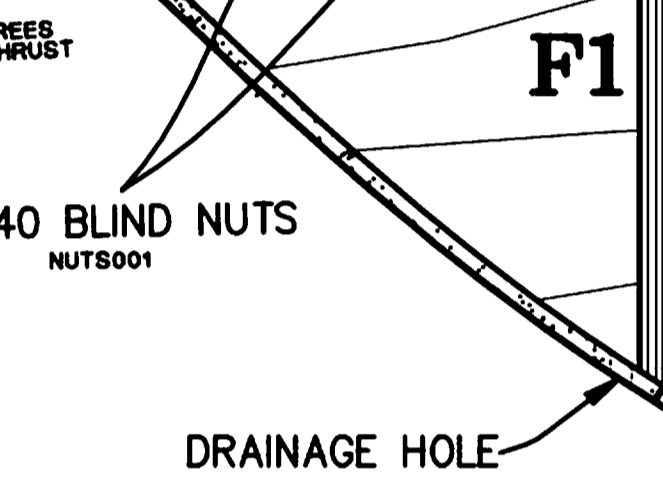
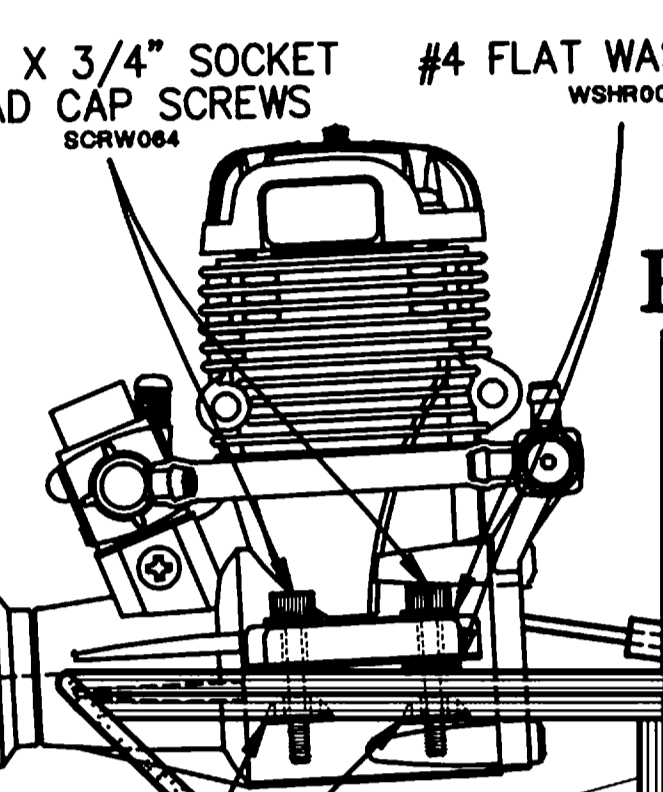
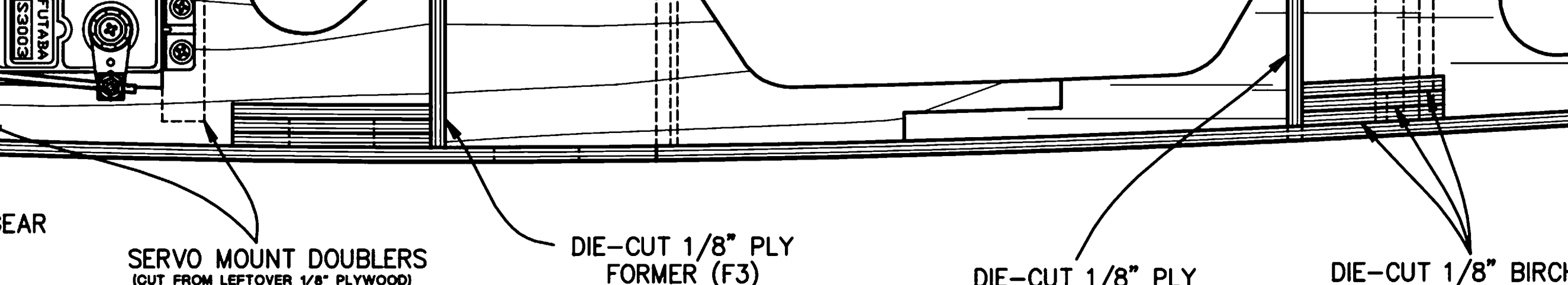
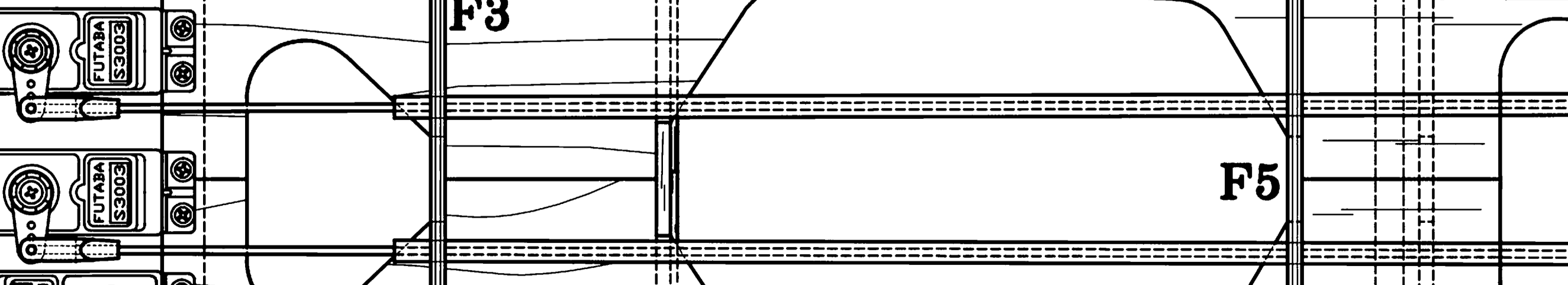
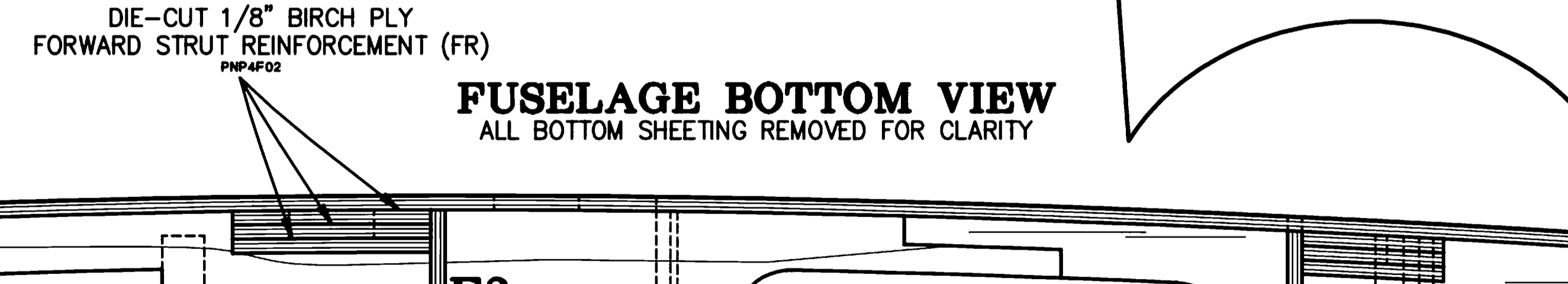
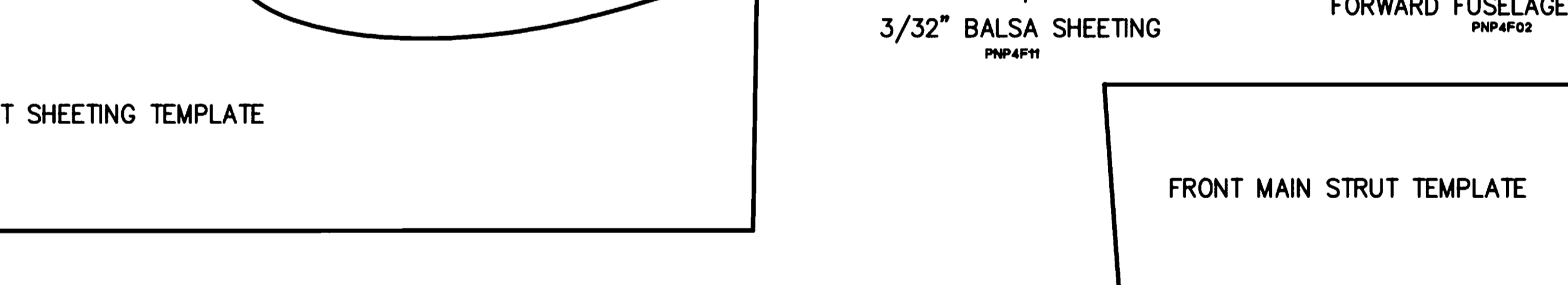
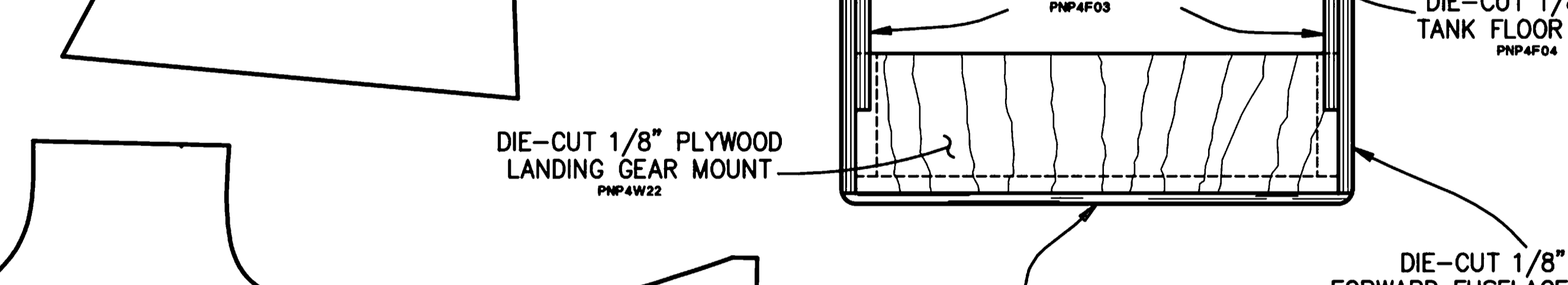
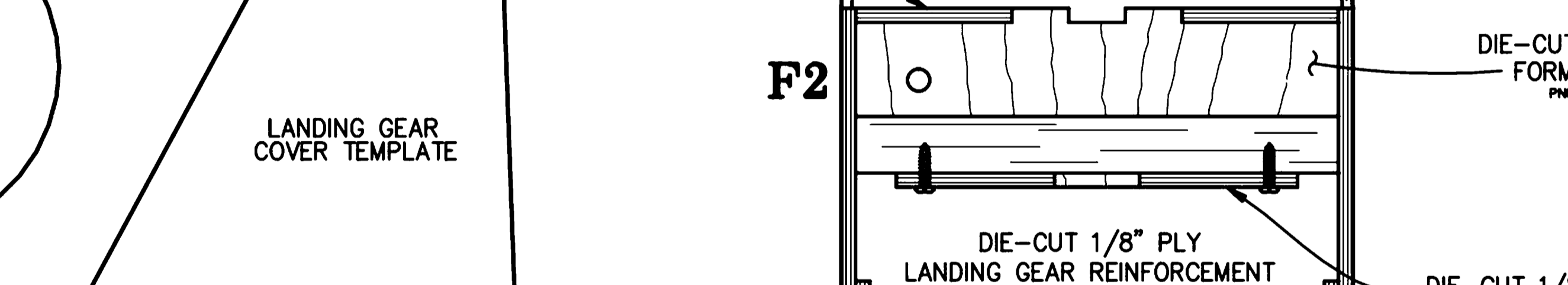
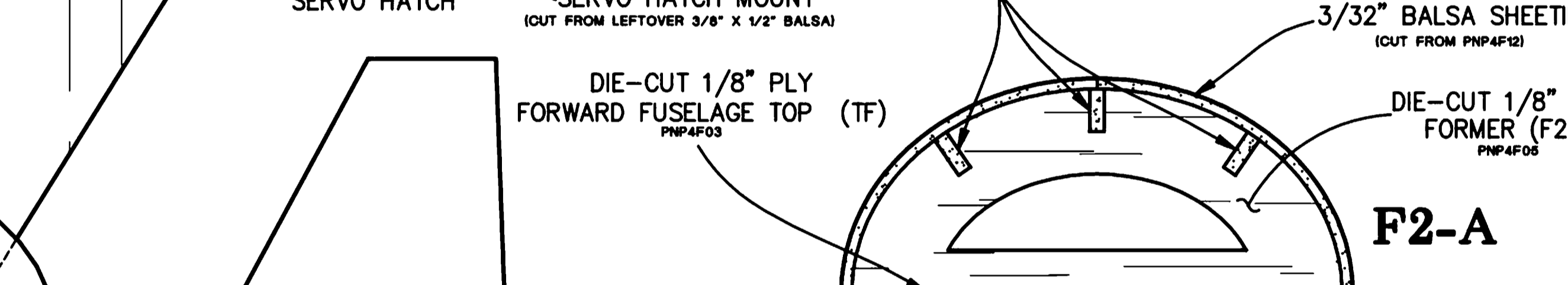
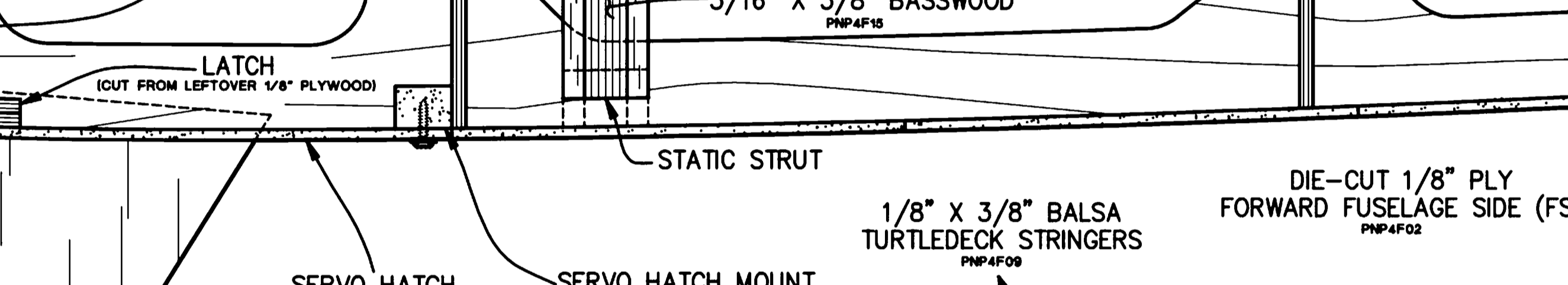
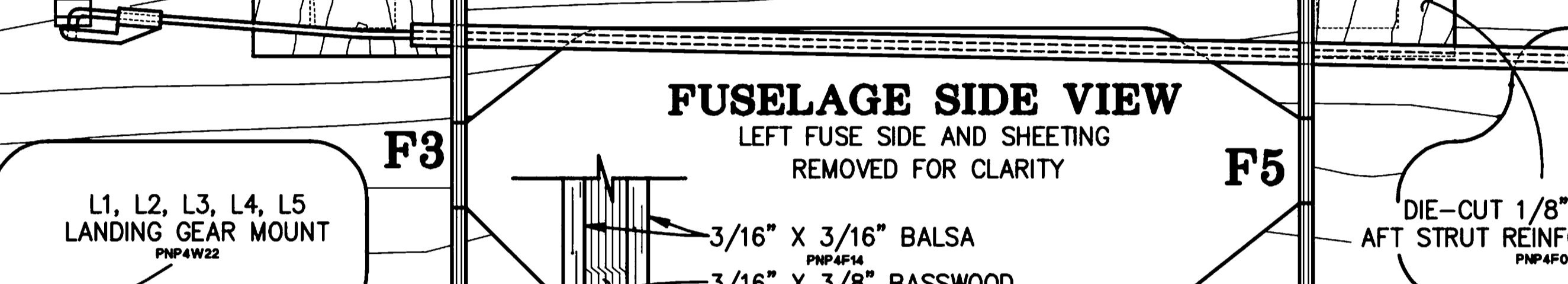
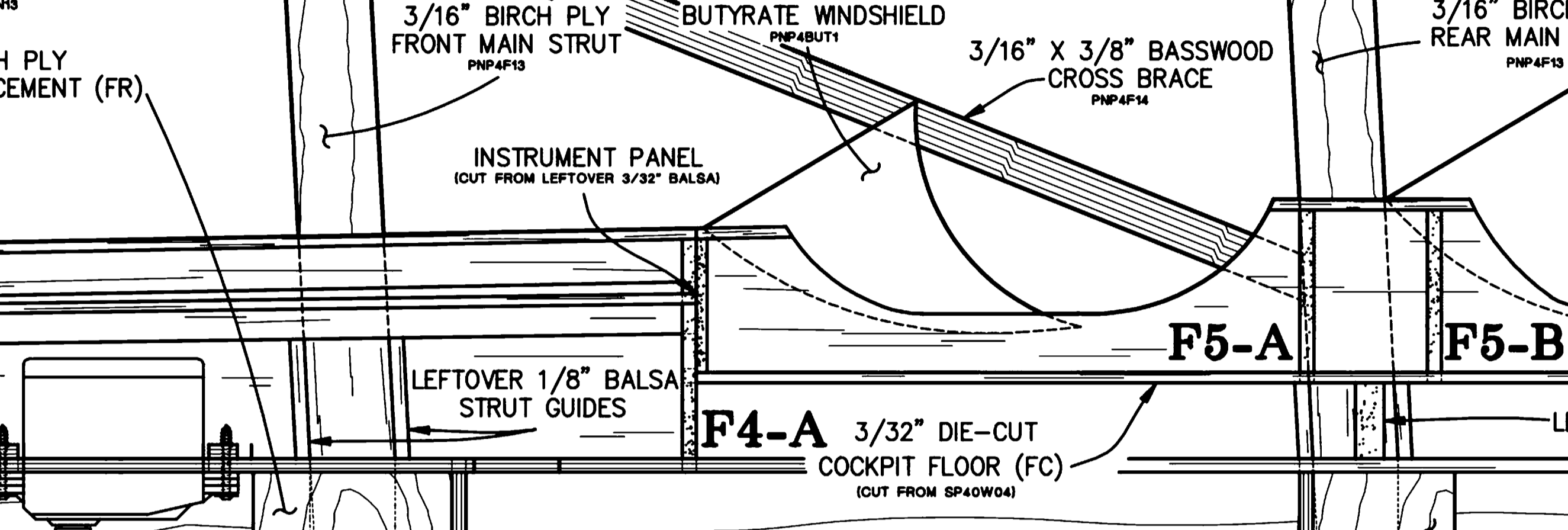
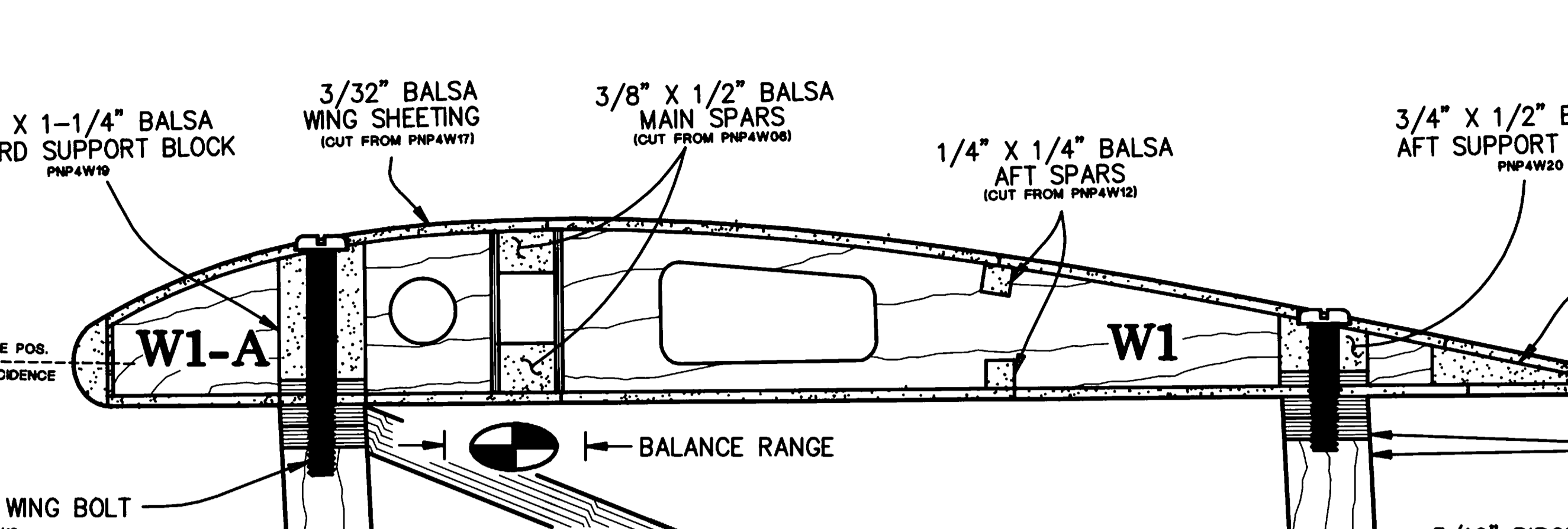
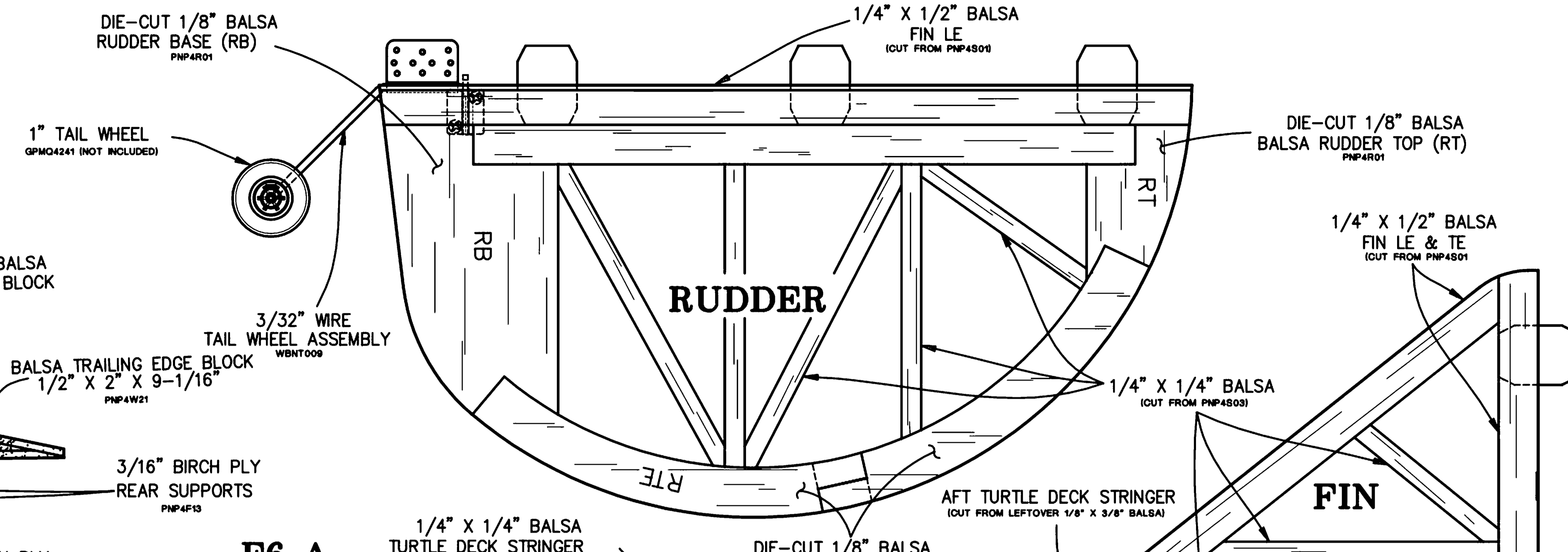
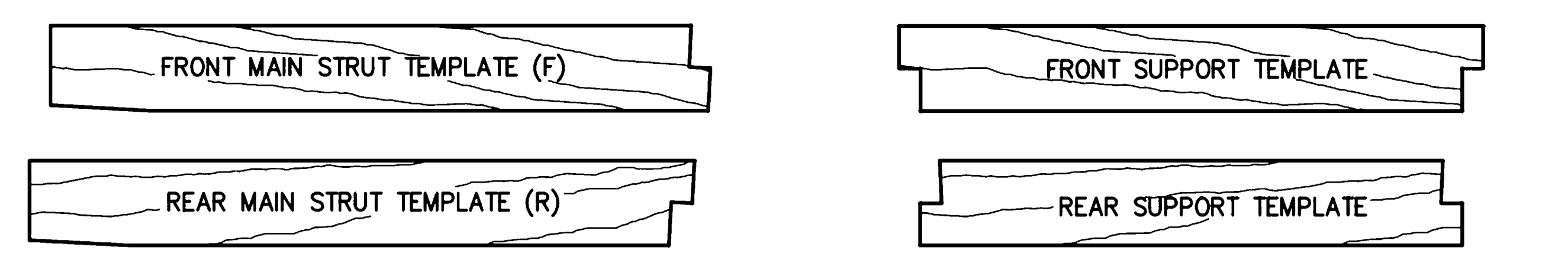


O.S. .40 LA SHOWN



O.S. .40 LA SHOWN



O.S. .40 LA SHOWN

FUSELAGE PLAN PLAN NO: PNP4P02

**Pete 'n Poke Sport 40**

DESIGNED BY: MIGUEL A. FRONTERA  
 DRAWN BY: MIGUEL A. FRONTERA  
 INSTRUCTIONS BY: TIM LAMPE

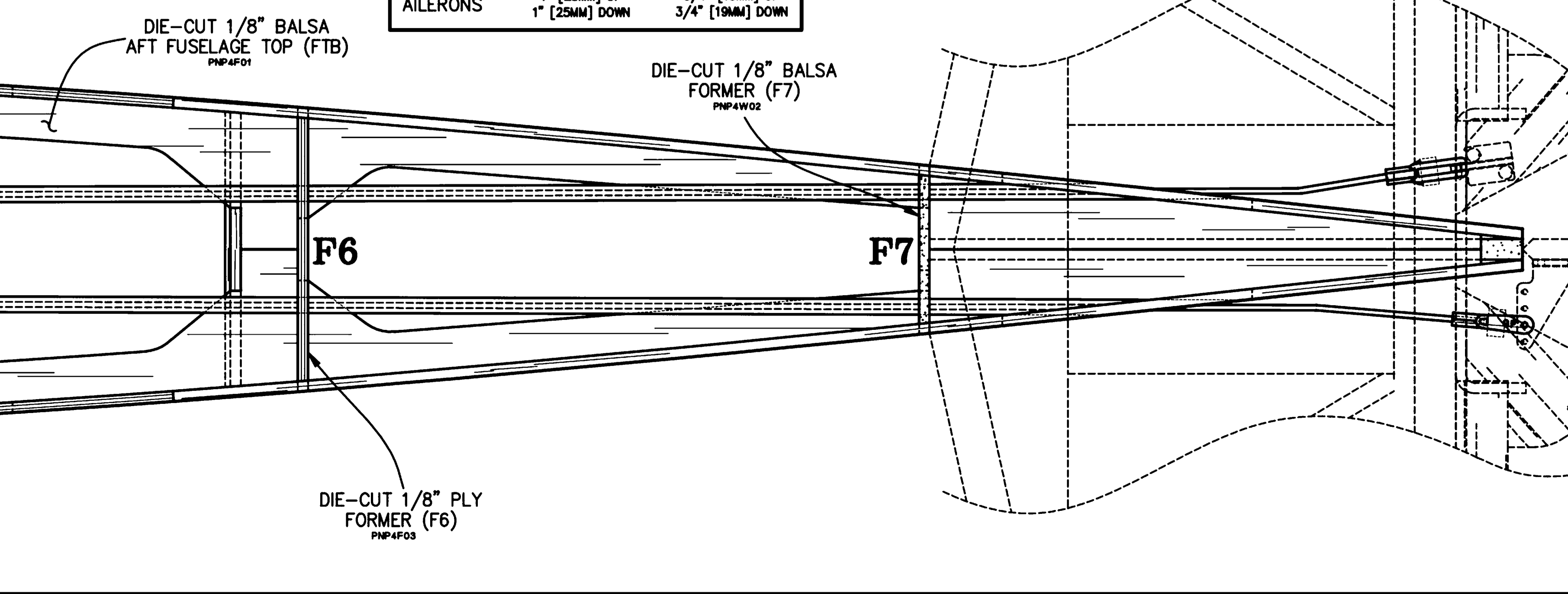
**GREAT PLANES**  
 MODEL MANUFACTURING COMPANY

© 2000 P.O. Box 788 Urbana, Illinois 61803 (217) 398-8970  
 ALL COMMERCIAL RIGHTS RESERVED

**QUESTIONS??**  
 e-mail us at productsupport@greatplanes.com or call (217)398-8970  
 Visit our Web Site at www.greatplanes.com

**CONTROL SURFACE THROWS**

	HIGH RATE	LOW RATE
ELEVATOR	1-1/2" [38MM] UP 1-1/2" [38MM] DOWN	3/4" [19MM] UP 3/4" [19MM] DOWN
RUDDER	1-1/2" [38MM] LEFT 1-1/2" [38MM] RIGHT	1" [25MM] LEFT 1" [25MM] RIGHT
AILERONS	1" [25MM] UP 1" [25MM] DOWN	3/4" [19MM] UP 3/4" [19MM] DOWN



O.S. .40 LA SHOWN

