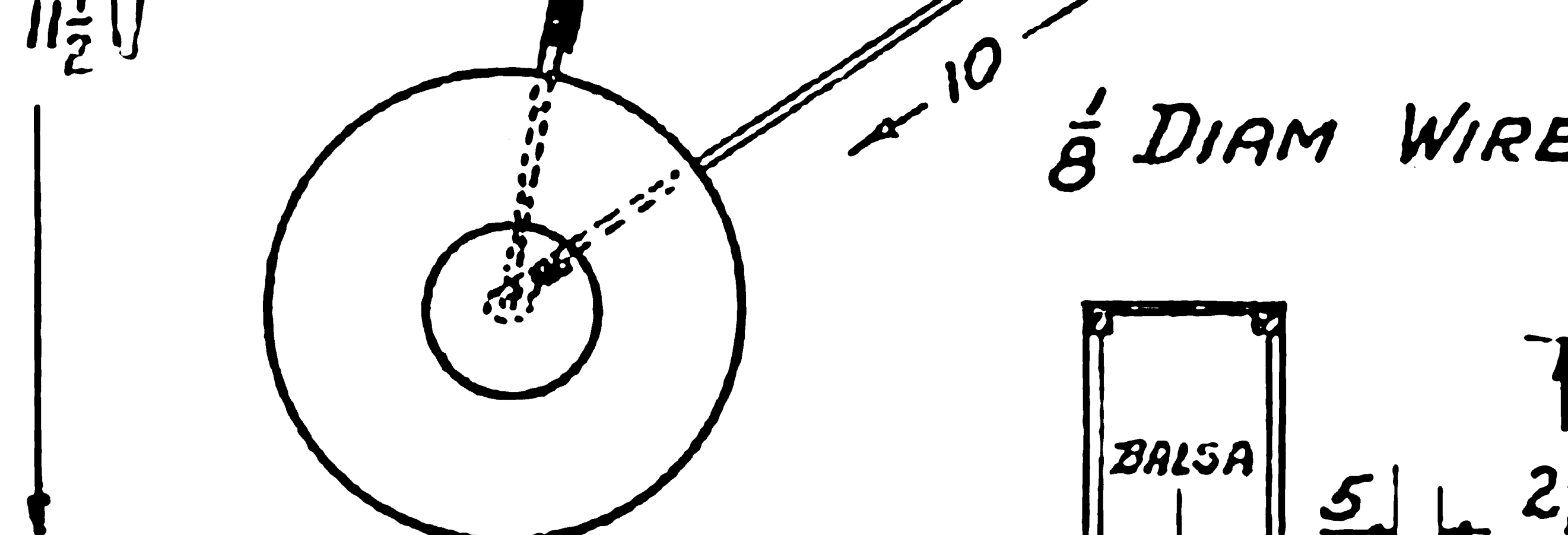
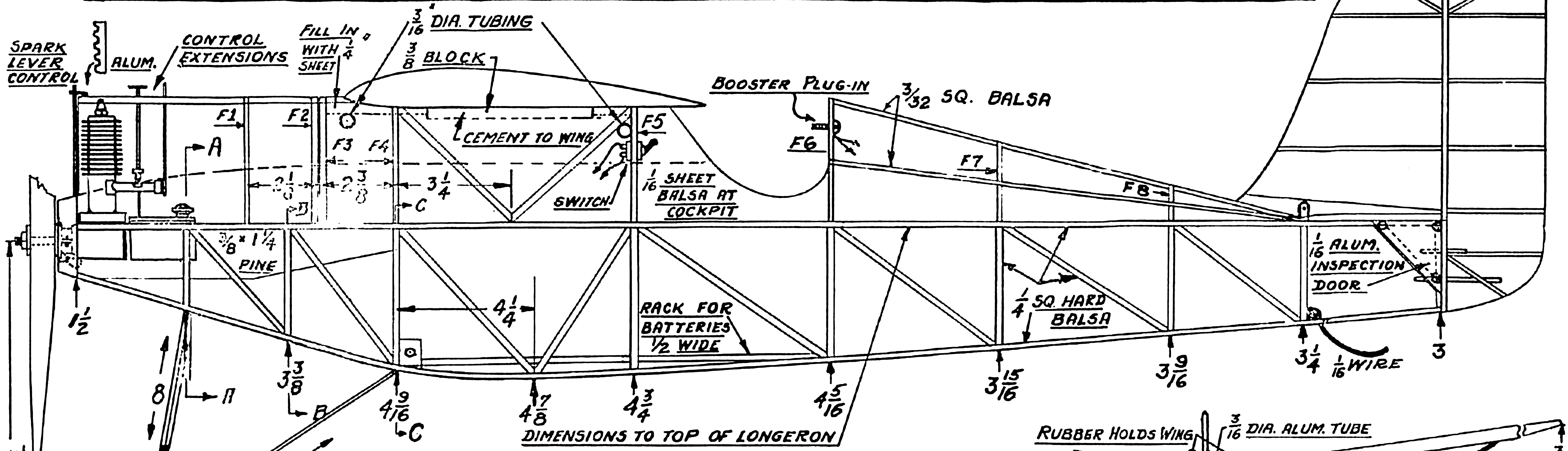
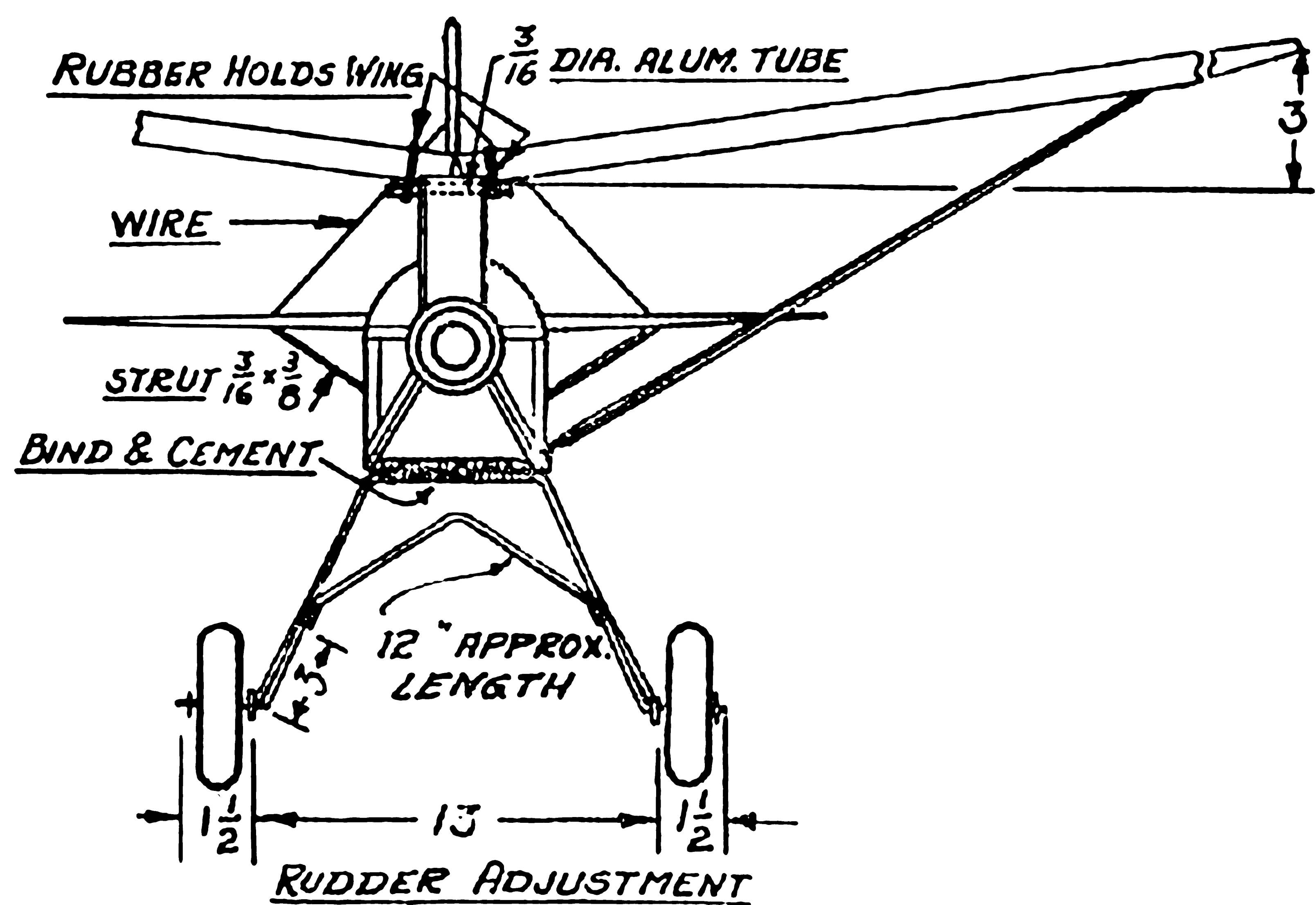
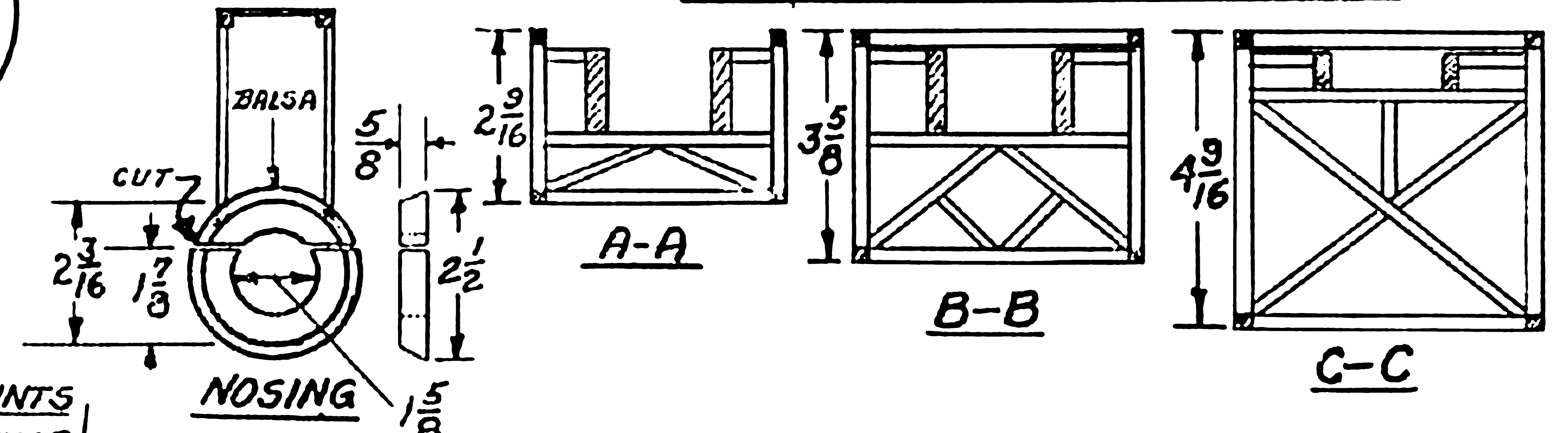


FUSELAGE DETAIL - CORBEN SUPER ACE DUPONT TROPHY WINNER



CROSS SECTIONS OF FUSELAGE



$\frac{3}{8} \times \frac{1}{4}$ PINE MOUNTS
SPACE TO FIT MOTOR

