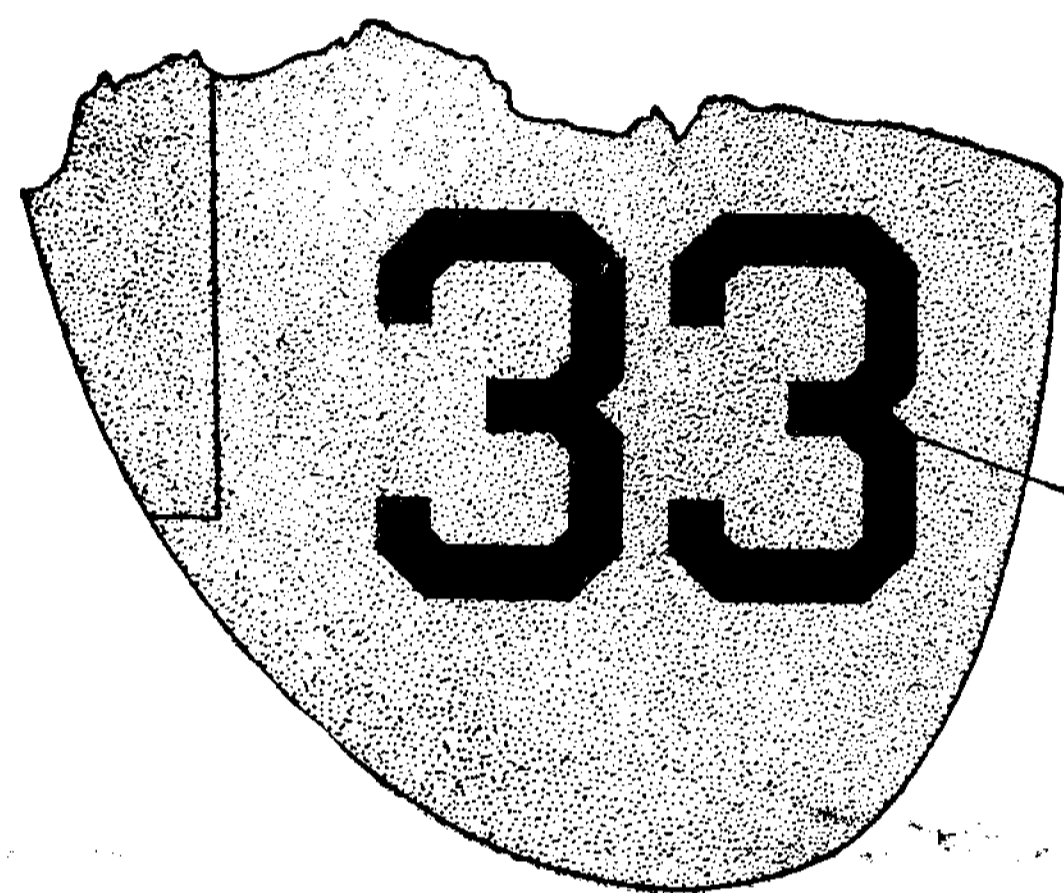


PLATE ONE

1" SQUARES

3/4" DIHEDRAL



DECAL MOUNTED ON UPPER RIGHT AND LOWER LEFT PANELS

.040 I.D. ALUM TUB'G

1/32" SH. Balsa

WIRE RIGGING IS OF .016" ST. WIRE

3/16" SQ. Balsa

'U' PIN COWL FASTENER

GUMWOOD MOUNTS

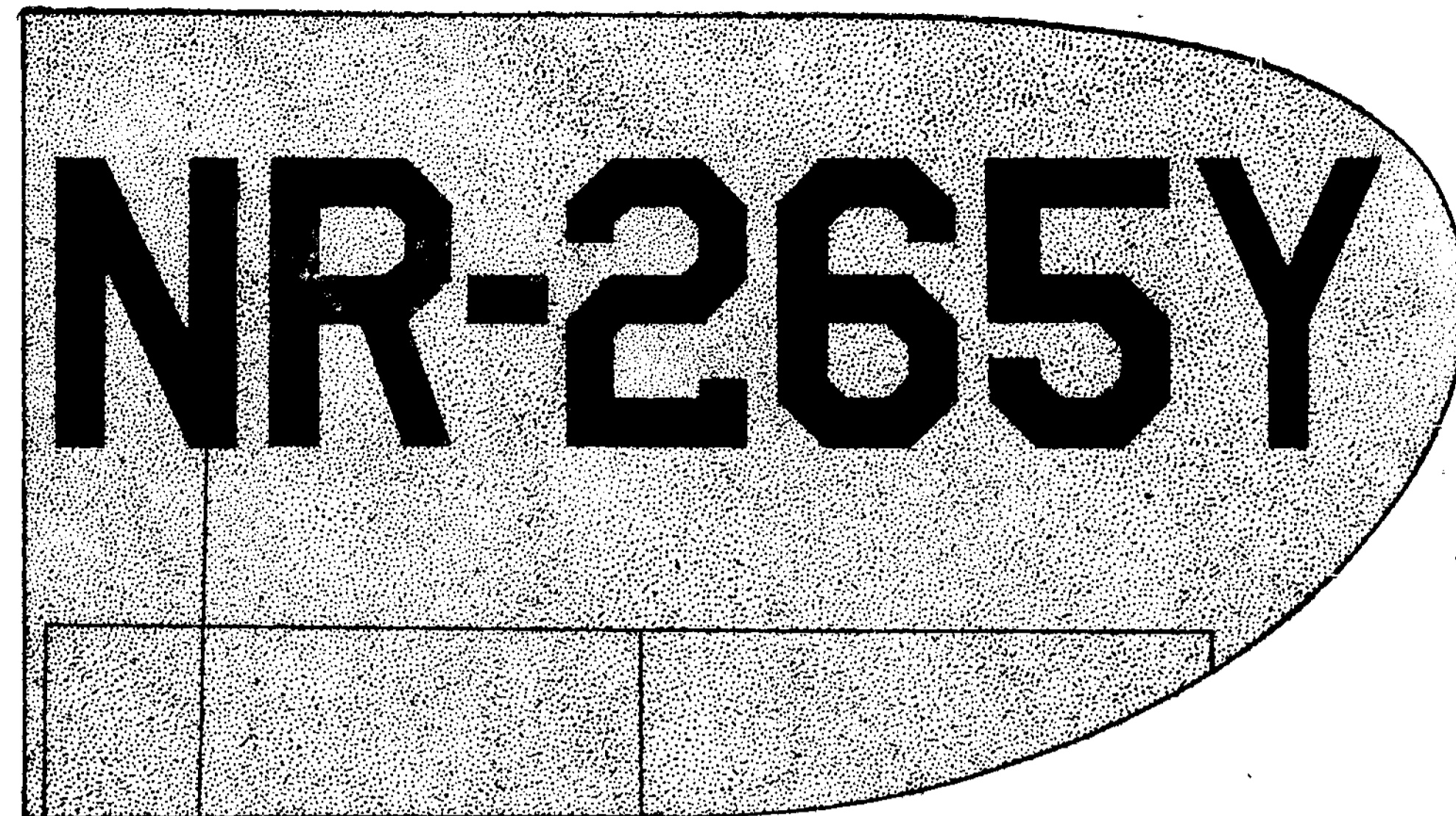
FLAP LINE

1/4" SH. Balsa

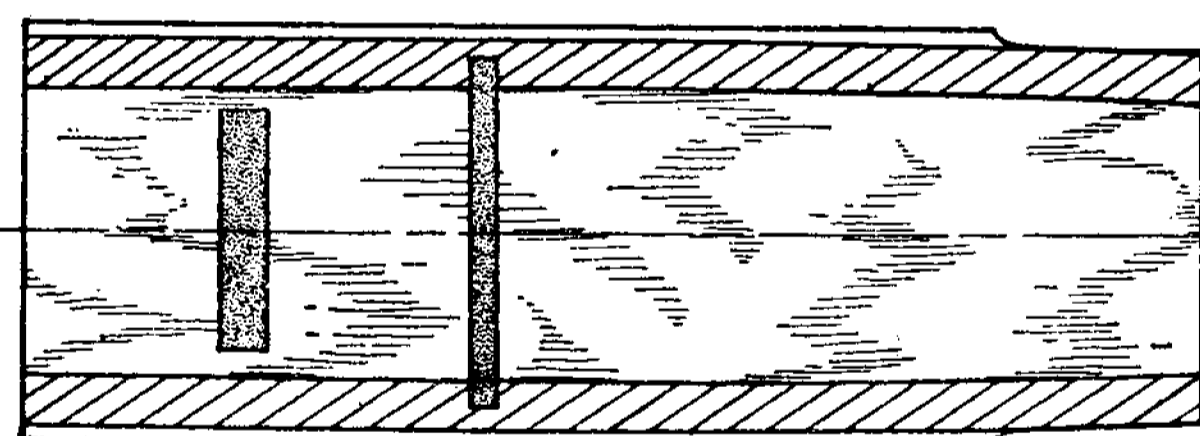
SOLID Balsa LANDING FLAP

3/16" SH. Balsa

DECAL MOUNTED ON LOWER RIGHT AND UPPER LEFT PANELS



WING MOUNT PIECE

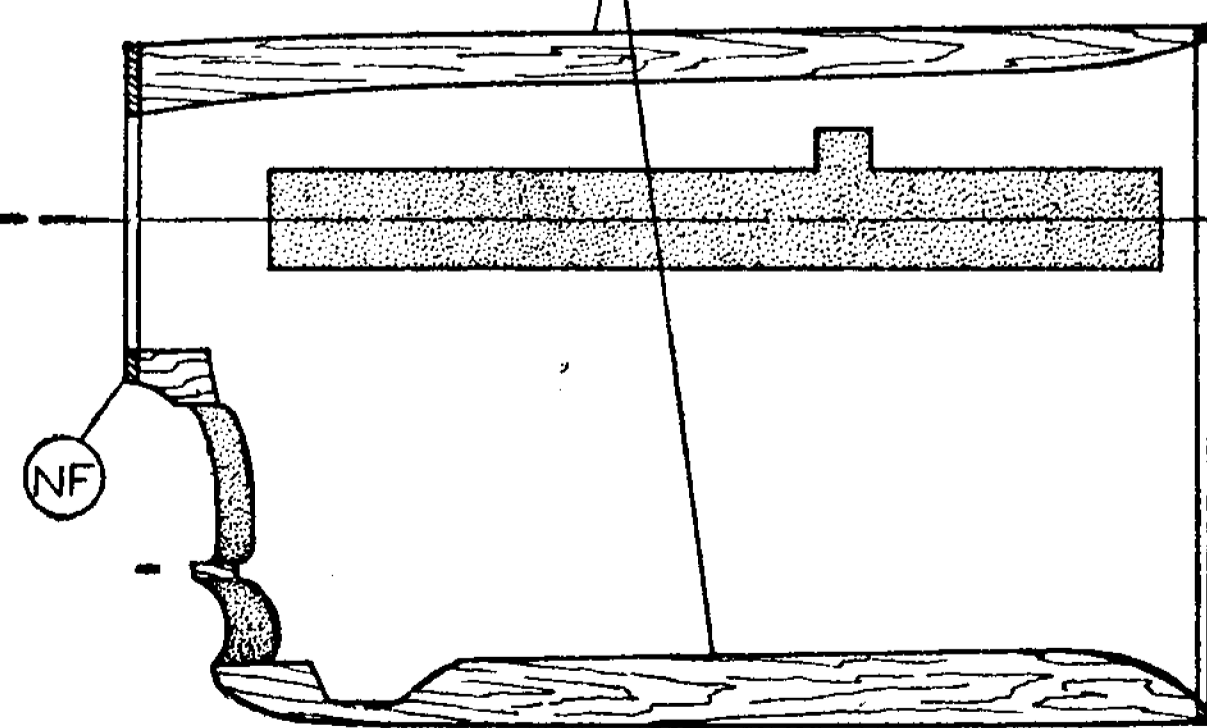


MR

1/16" PLYWOOD

FRONT

REAR



VERTICAL SPLIT ENGINE COWL

HINGE LOWER COWL PIECES

"BANTAM" OR OHLSSON "23"

ONE-PIECE Balsa COVER

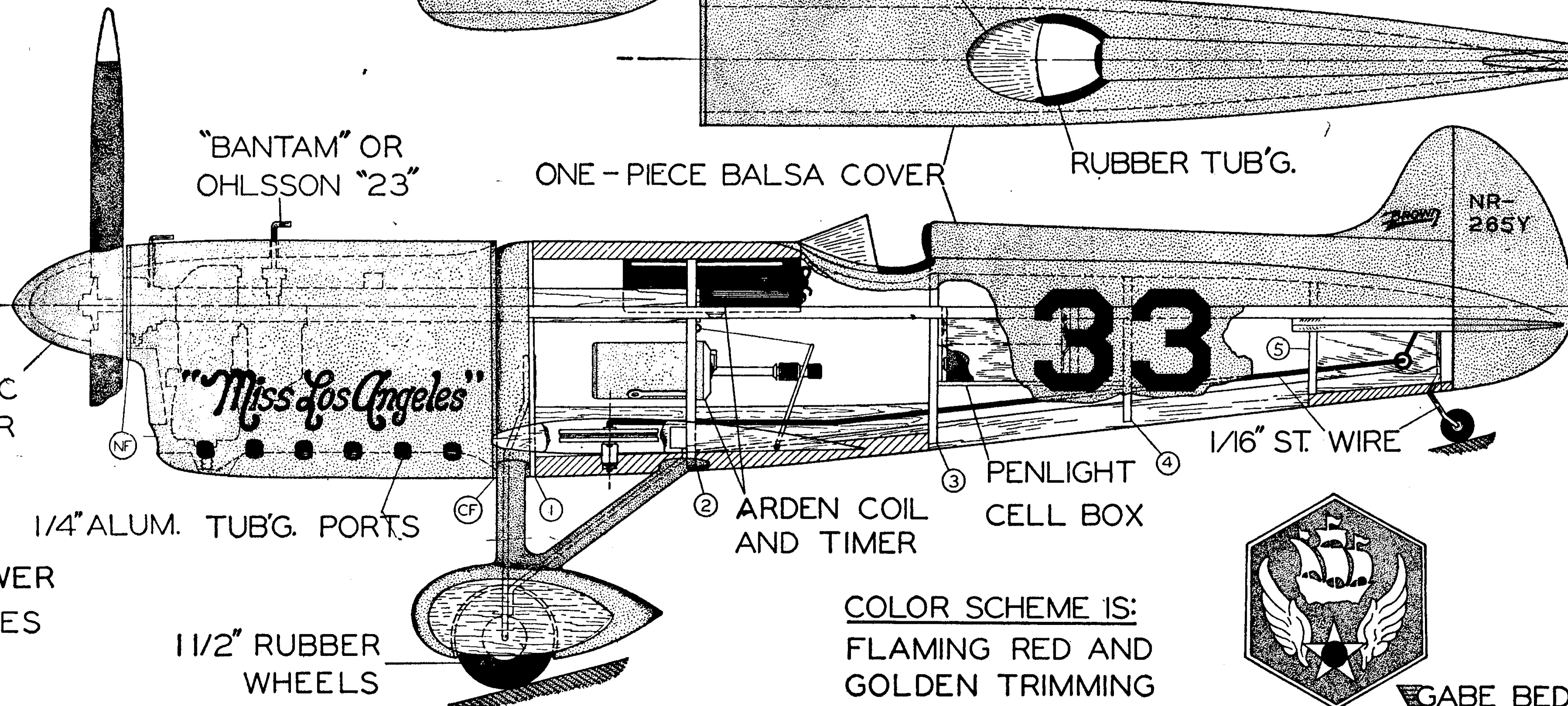
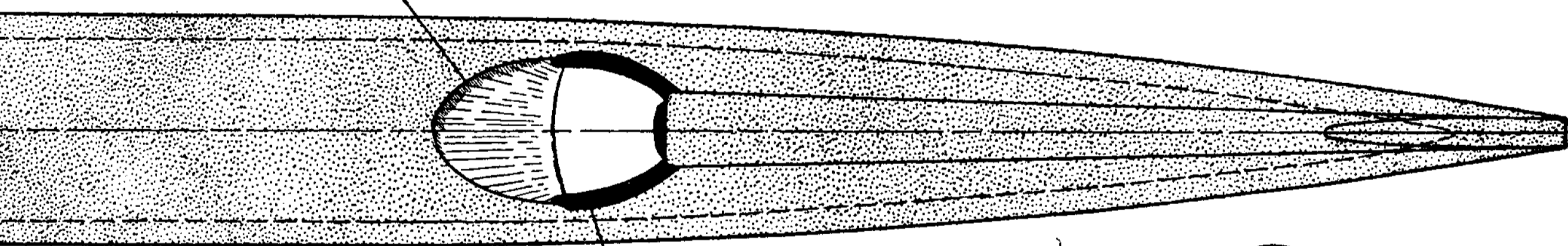
RUBBER TUB'G.

PLASTIC SPINNER

1/4" ALUM. TUB'G. PORTS

1 1/2" RUBBER WHEELS

CELLULOID SHIELD



ARDEN COIL AND TIMER

PENLIGHT CELL BOX

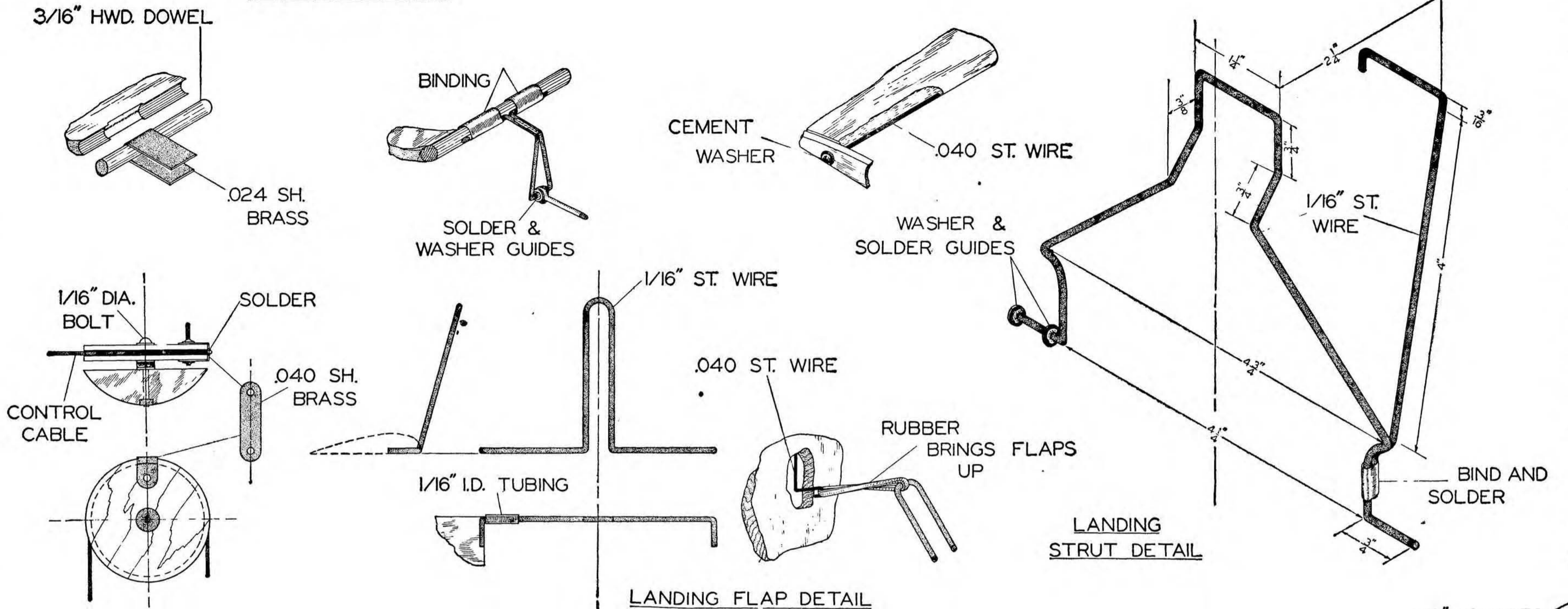
1/16" ST. WIRE

COLOR SCHEME IS: FLAMING RED AND GOLDEN TRIMMING

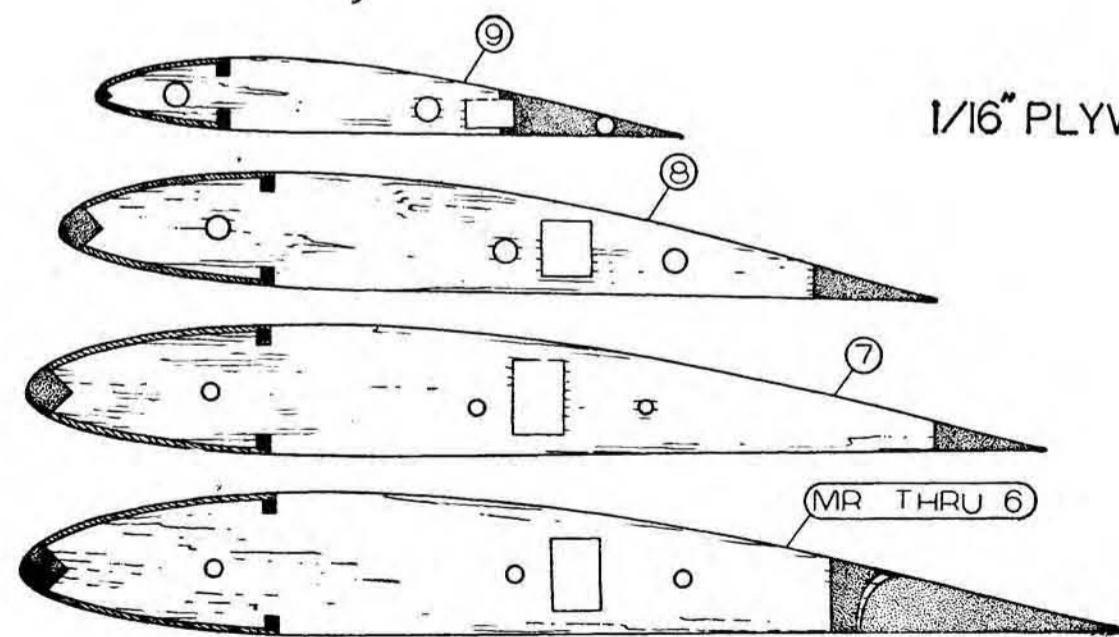


GABE BEDISH

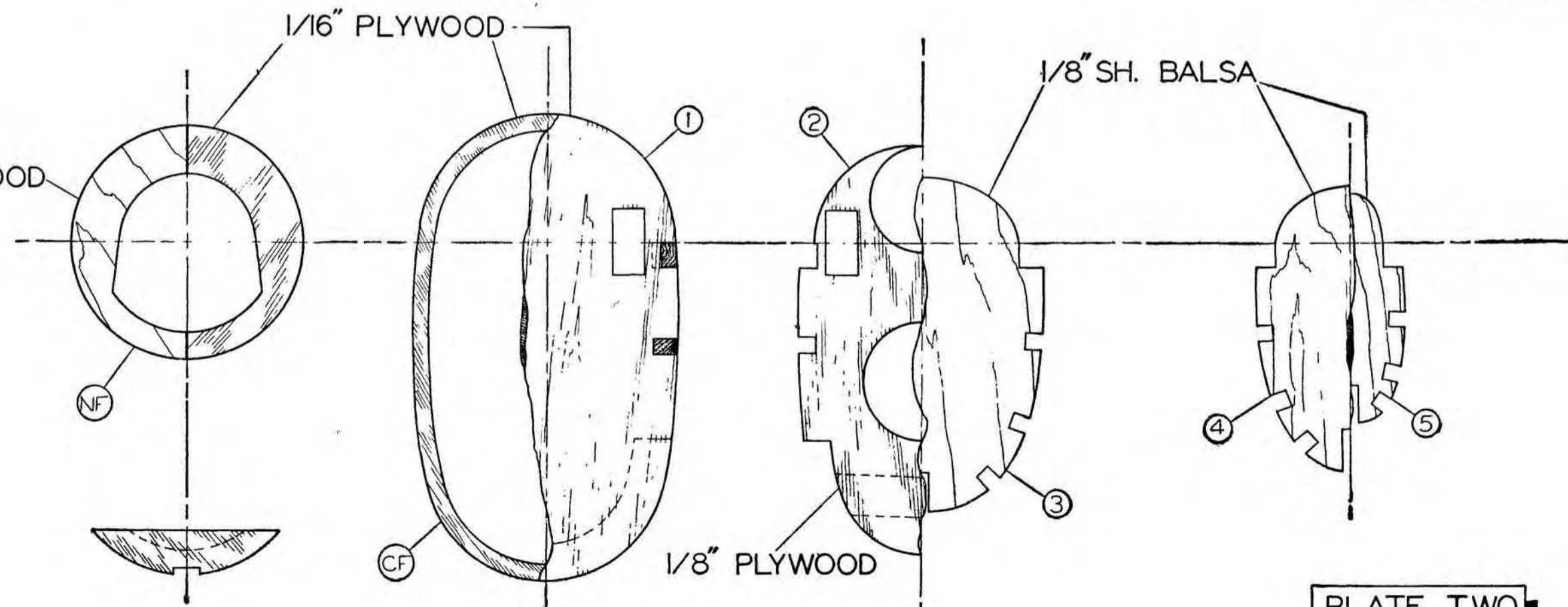
ELEVATOR HOOK UP



DISK-CONTROL DETAIL



RIBS MR. 5 & 6 — 1/16" PLYWOOD
 (LAMINATED) | — 1/16" SH. BALSA
 REMAINDER OF — 1/16" SH. BALSA



FUSELAGE FORMERS