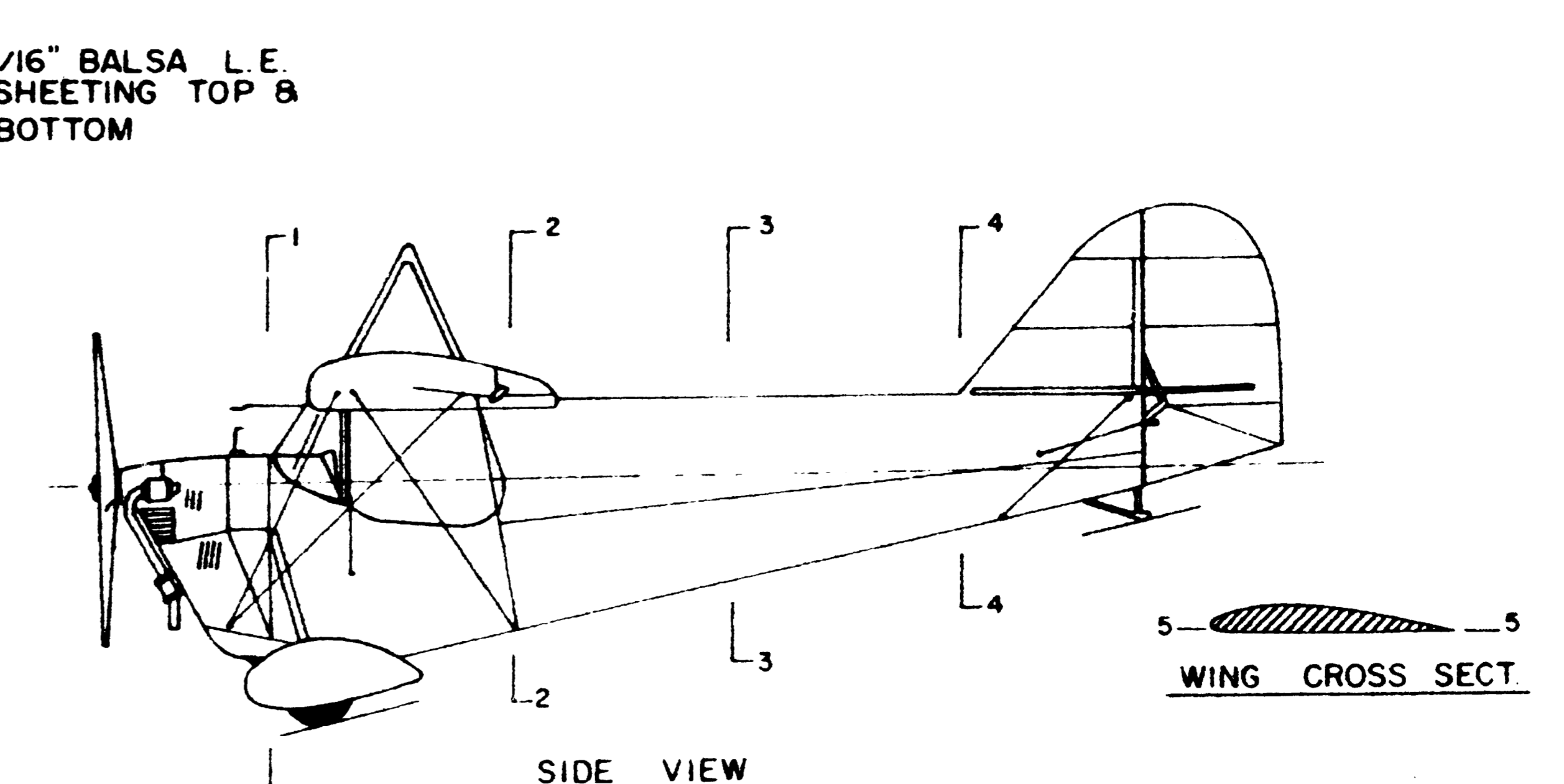
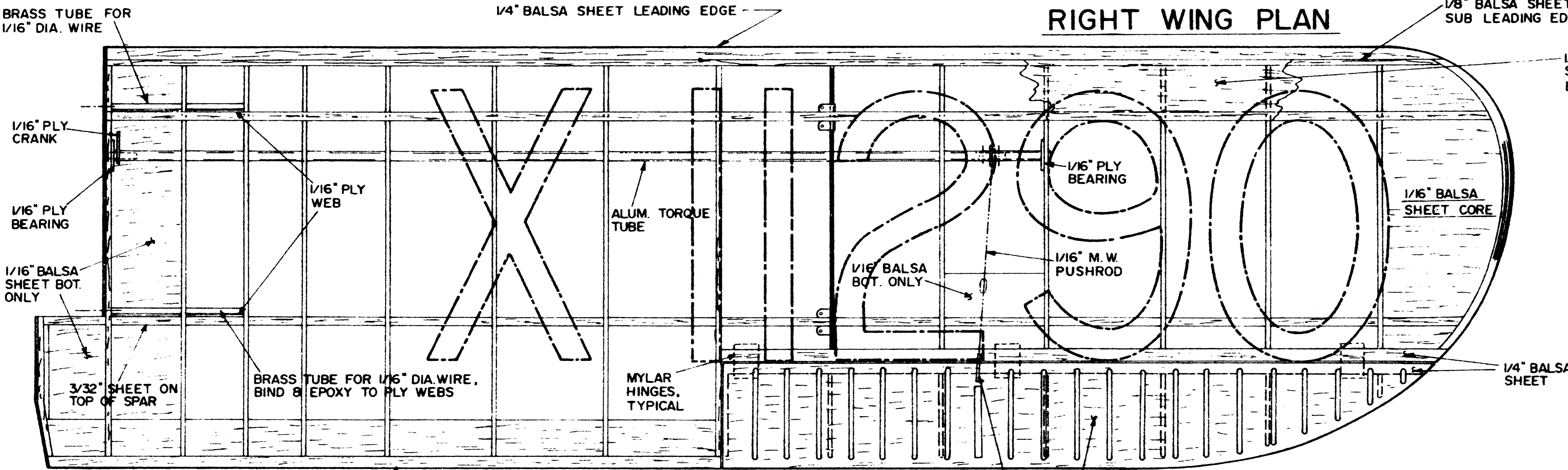
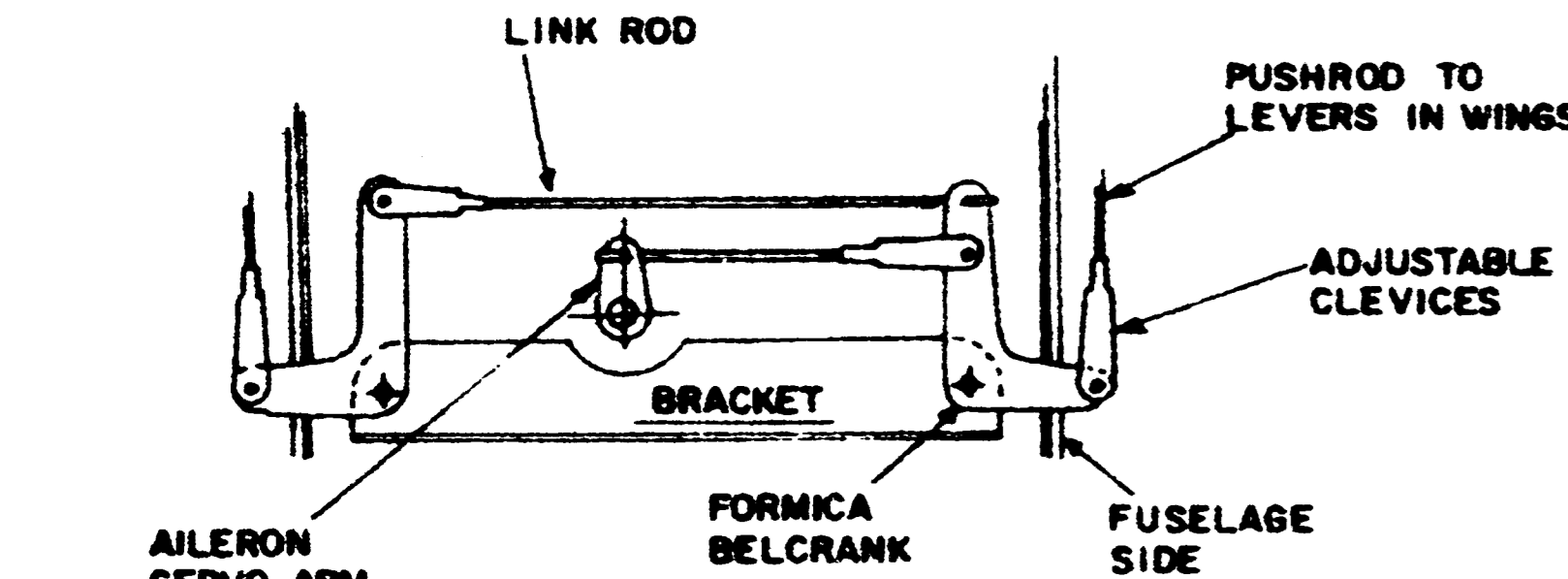
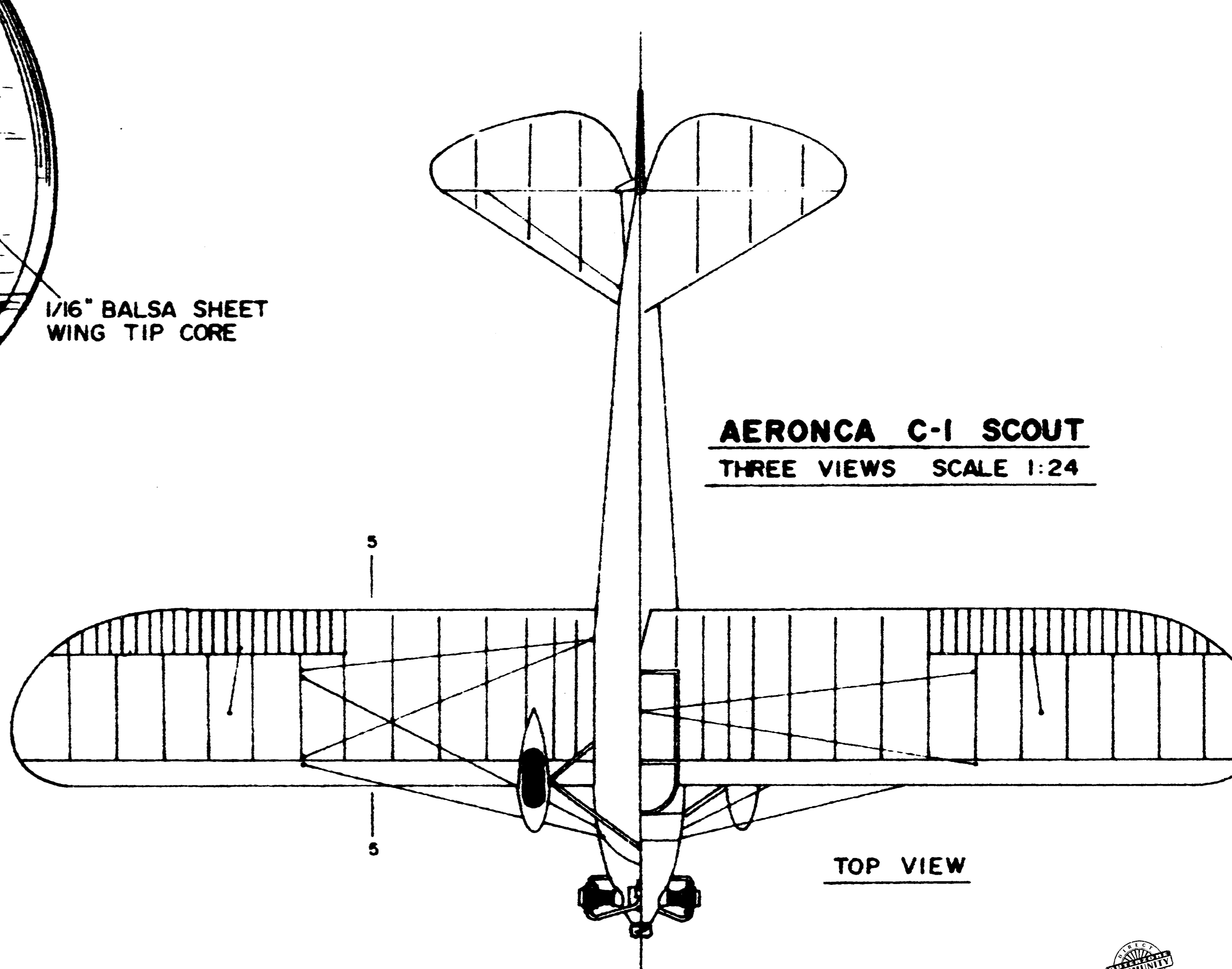
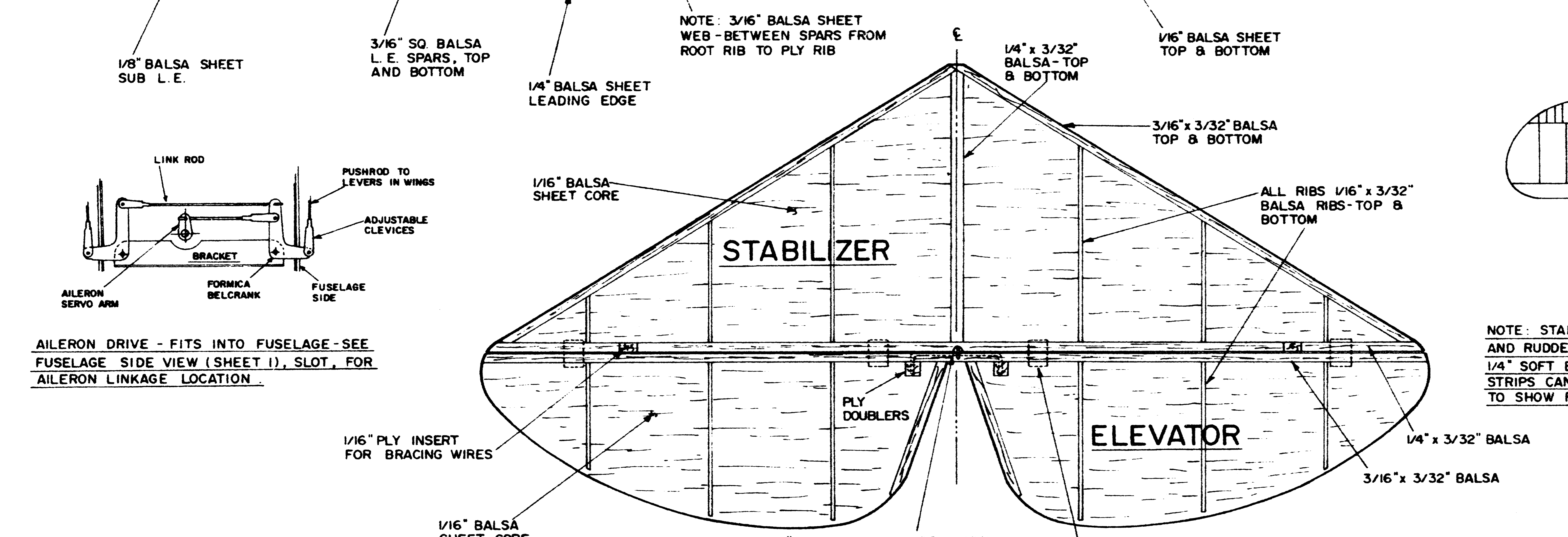
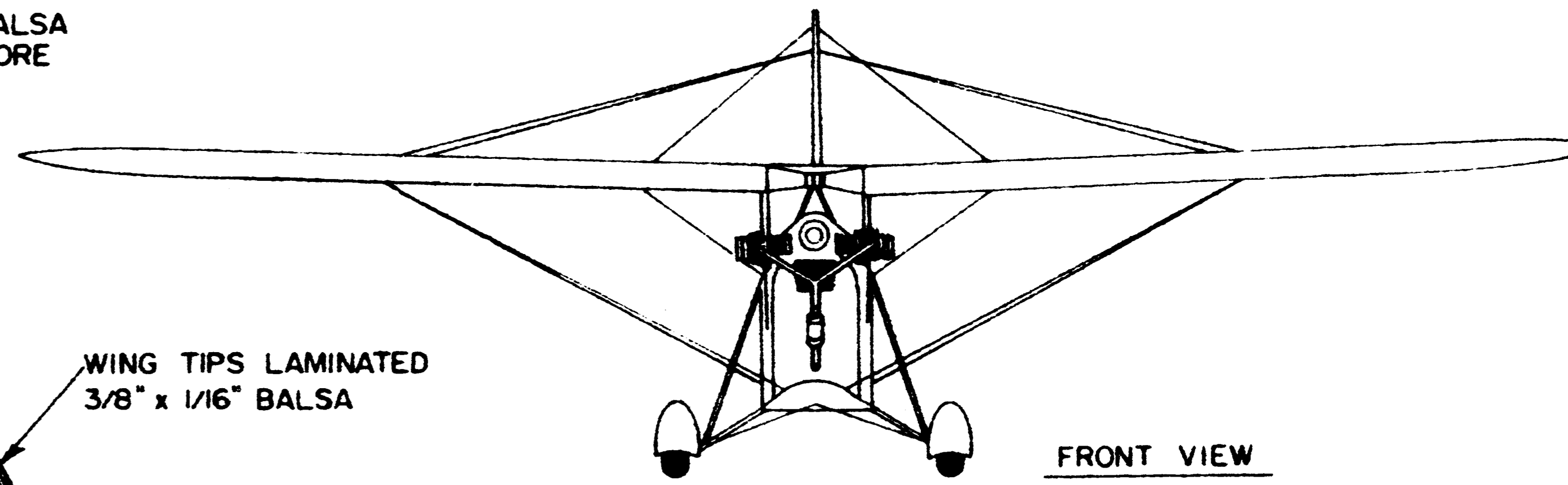
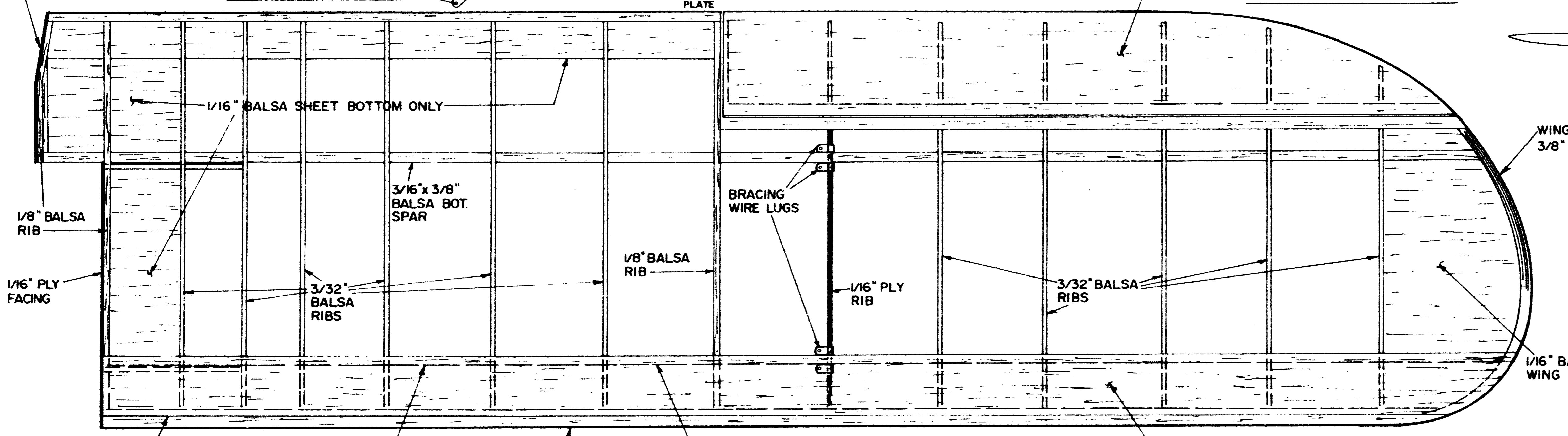
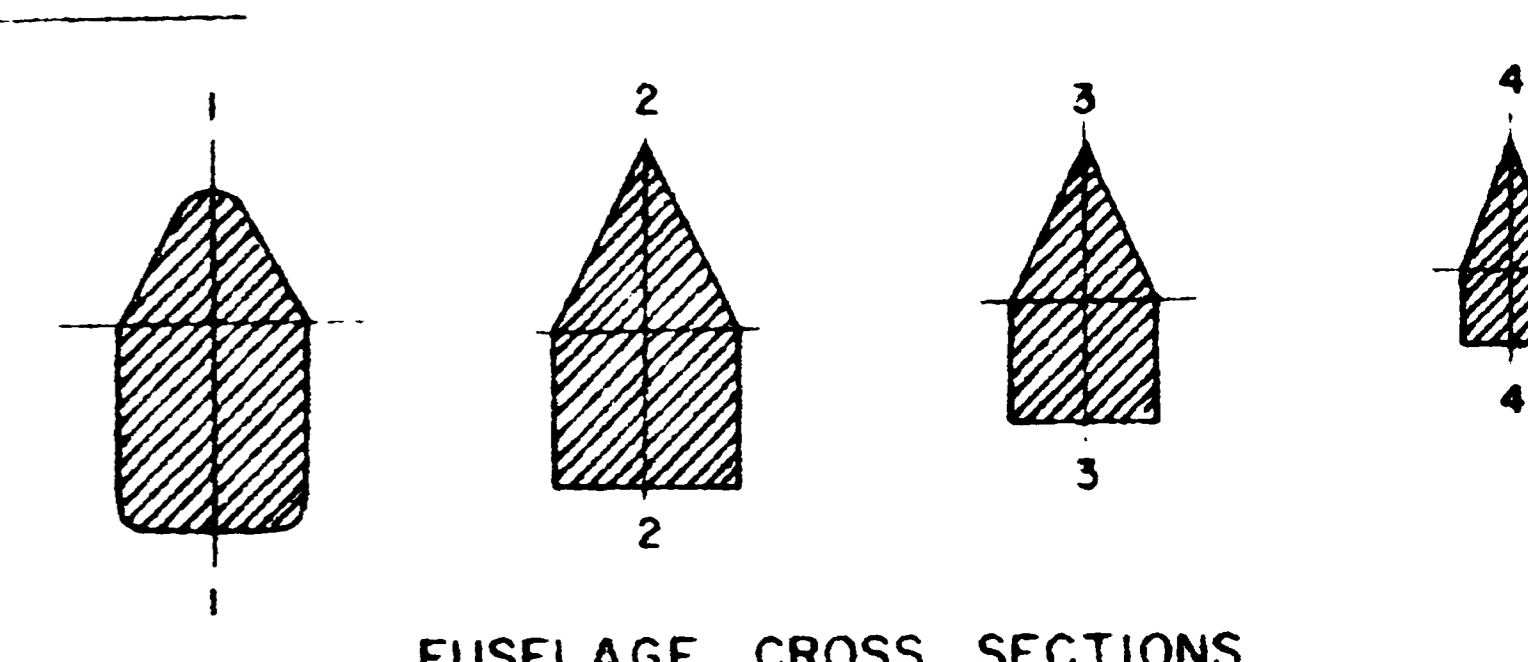
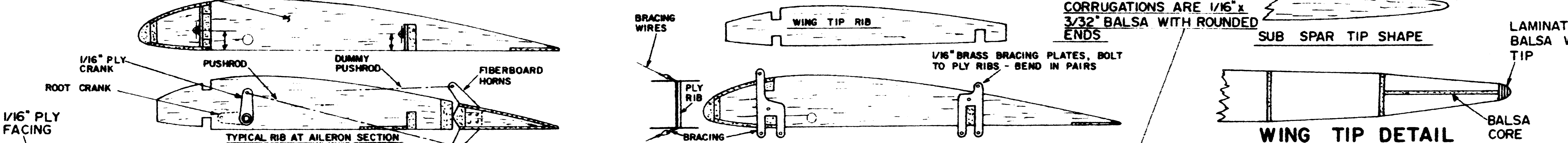


RIGHT WING PLAN

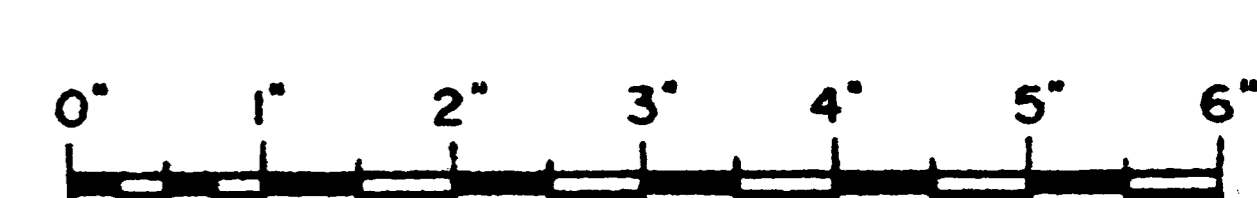


WING RIB DETAILS



AILERON DRIVE - FITS INTO FUSELAGE - SEE FUSELAGE SIDE VIEW (SHEET 1), SLOT, FOR AILERON LINKAGE LOCATION.

NOTE: STABILIZER, ELEVATOR, FIN AND RUDDER CAN BE MADE FROM 1/4" SOFT Balsa SHEET - TISSUE STRIPS CAN BE USED AS RIB TAPES TO SHOW RIB LOCATIONS.



MODEL AIRPLANE NEWS		
AERONCA C-1 SCOUT		
DESIGNED BY PHILLIP S. KENT		
DRAWN BY PHILLIP S. KENT		
INKED PLANS BY JOE DEMARCO		
ALL RIGHTS RESERVED	SHEET 2 OF 2	FSP 06961