

QUEEN BEE



DESIGNED BY
P. GRIMWADE



COPYRIGHT OF
THE AEROMODELLER PLANS SERVICE

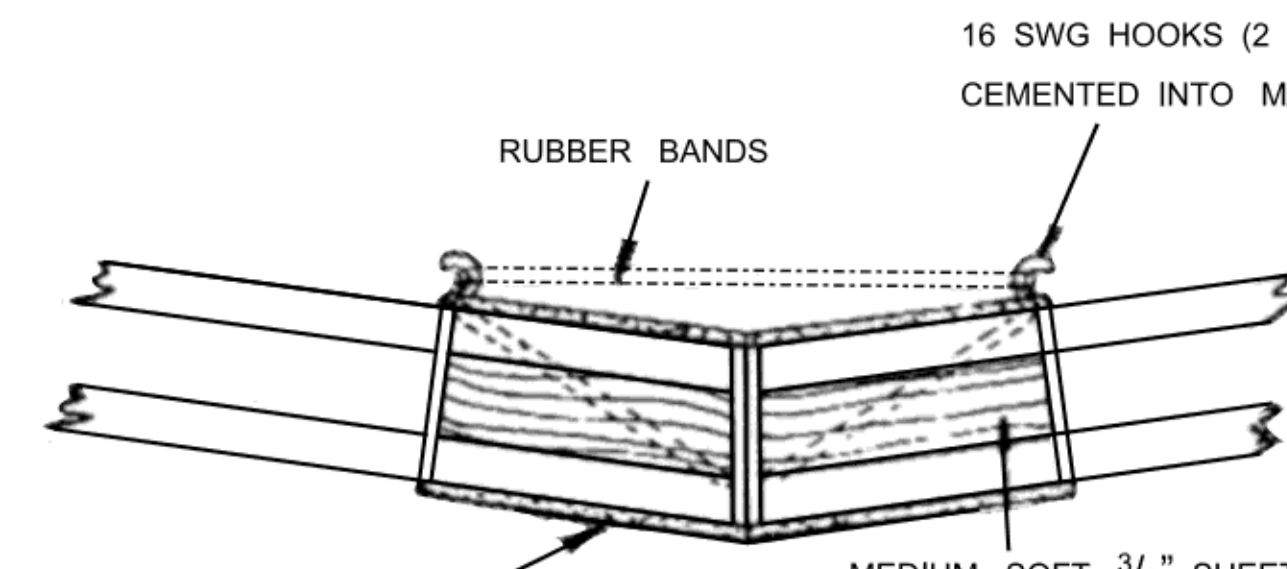
THE AERODROME, STANBRIDGE, NR LEIGHTON BUZZARD, BEDS

ALL WOODS ARE Balsa UNLESS OTHERWISE STATED

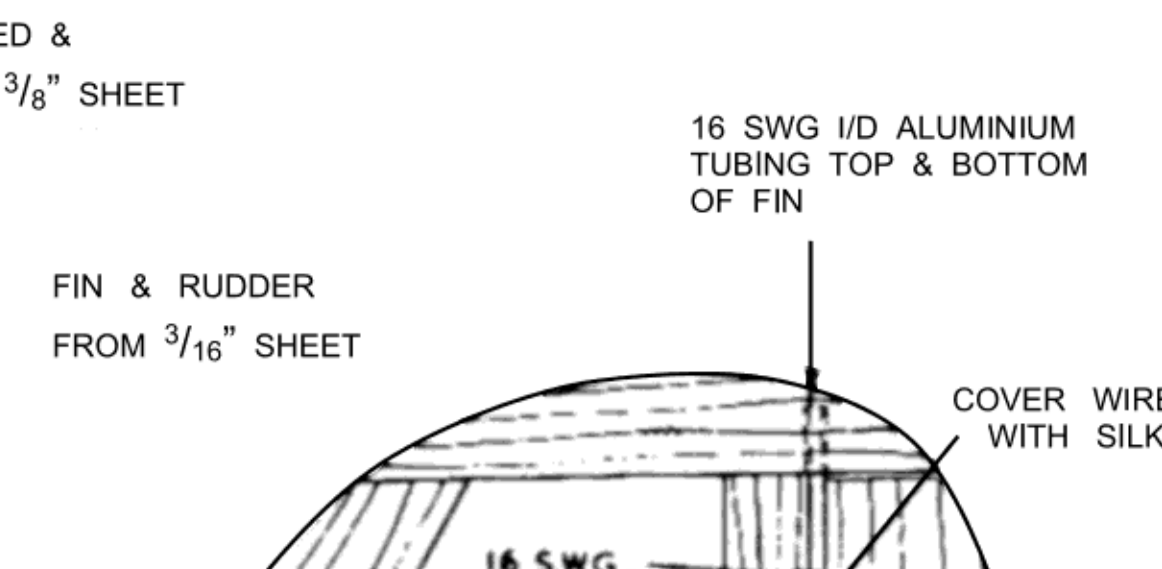
MATERIALS REQUIRED		MISCELLANEOUS	
Balsa STRIP	10 STRIPS OF 3/16" x 3/16" x 36" MED	6" x 6" OF 1MM PLY	
	4 " " " 1/8" x 1/4" x 36" "	3 1/2" x 4" OF 1/16" "	
	2 " " " 3/16" x 3/4" x 36" "	12" OF DOWEL 1/8" DIA	
Balsa SHEET	3 SHEETS OF 1/16" x 3" x 36" MED	4" x 5" CELLULOID	
	1 " " " 1/4" x 3" x 18" "	23" x 3/8" x 3/8" HARDWOOD	
	1 " " " 3/16" x 3" x 18" "	38" OF 14 SWG STEEL WIRE	
	1 " " " 1/8" x 3" x 18" "	13 " " " " " "	
		20" " " " " "	



1/16" PLY ACTUATOR BASE. BOLT ACTUATOR TO BASE THEN INSTALL IN THIS SLOT



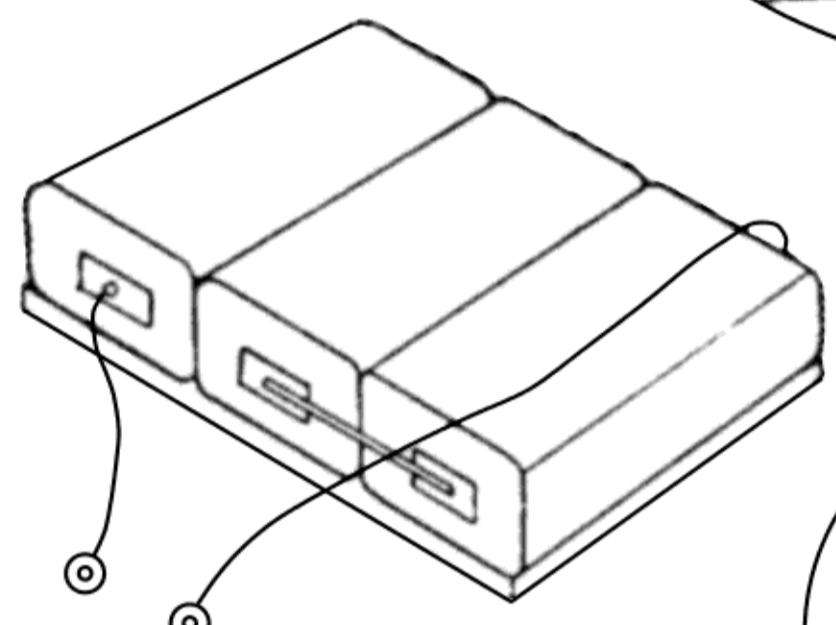
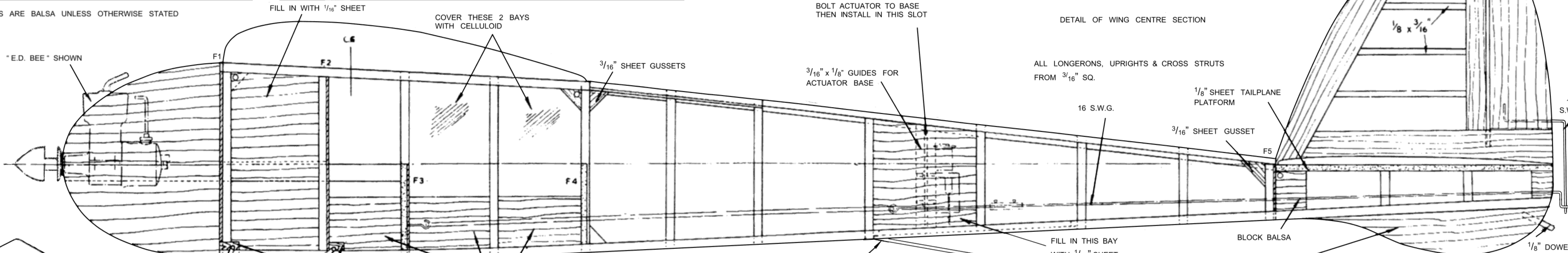
DETAIL OF WING CENTRE SECTION



FIN & RUDDER FROM 3/16" SHEET

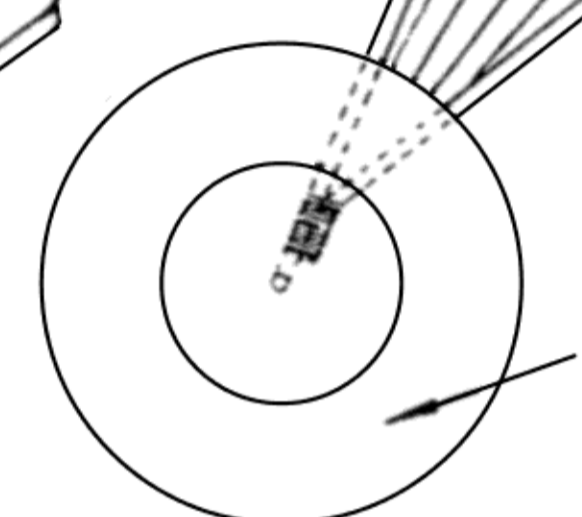
16 SWG 1/4 ALUMINIUM TUBING TOP & BOTTOM OF FIN

COVER WIRE WITH SILK

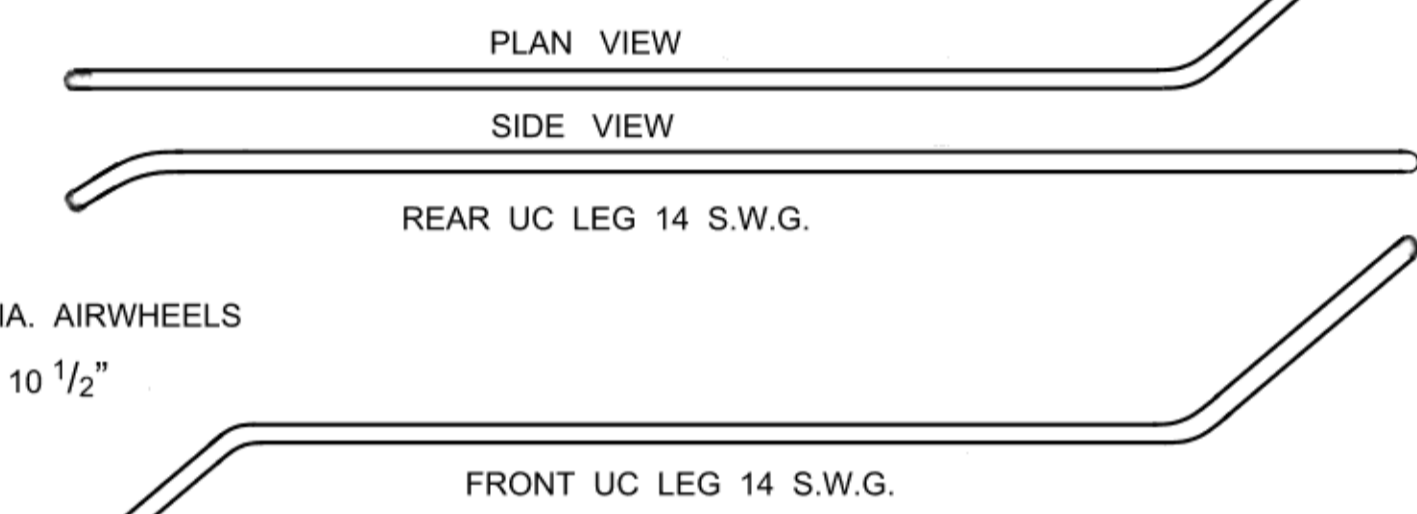


PRESS STUDS USED FOR ALL ELECTRICAL CONNECTIONS.

ALL BATTERIES FIXED TO 1/8" Balsa BASE WITH RUBBER BANDS & THEN INSTALLED IN SPACE A



2 1/2" DIA. AIRWHEELS TRACK 10 1/2"

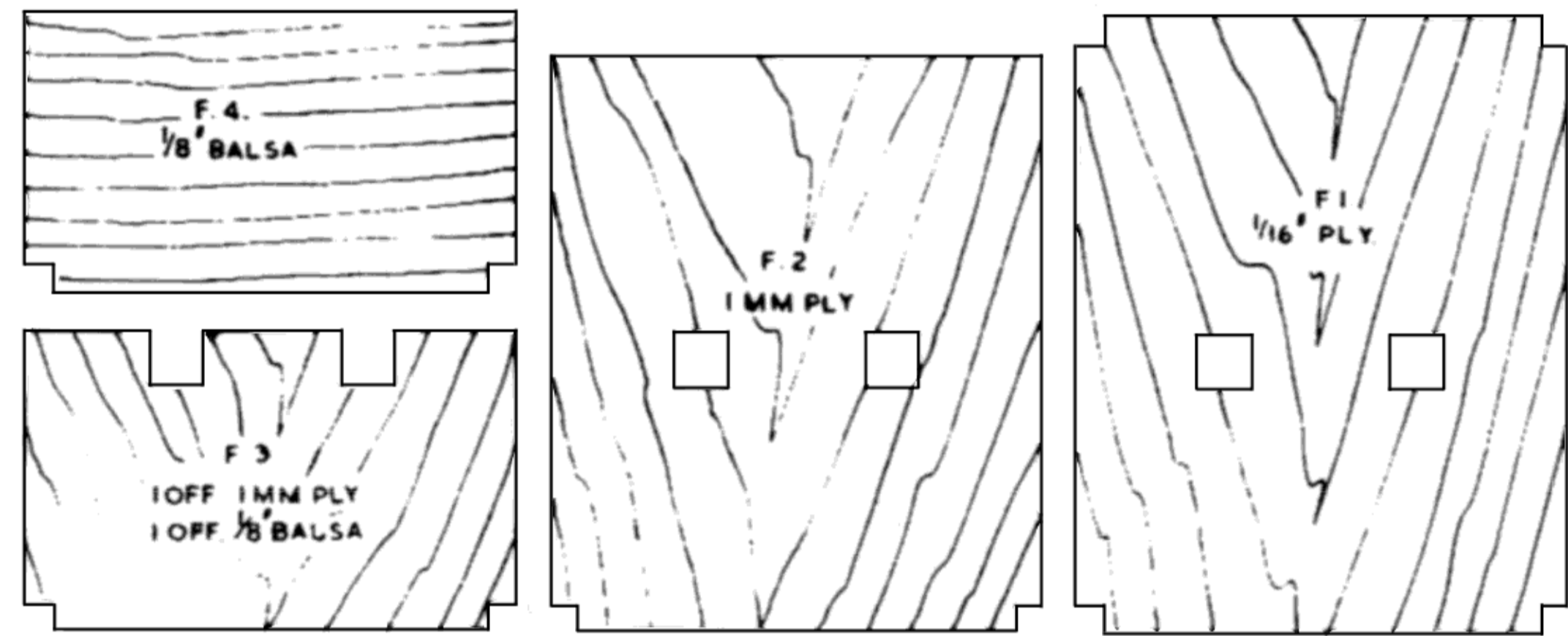


PLAN VIEW

SIDE VIEW

REAR UC LEG 14 S.W.G.

FRONT UC LEG 14 S.W.G.

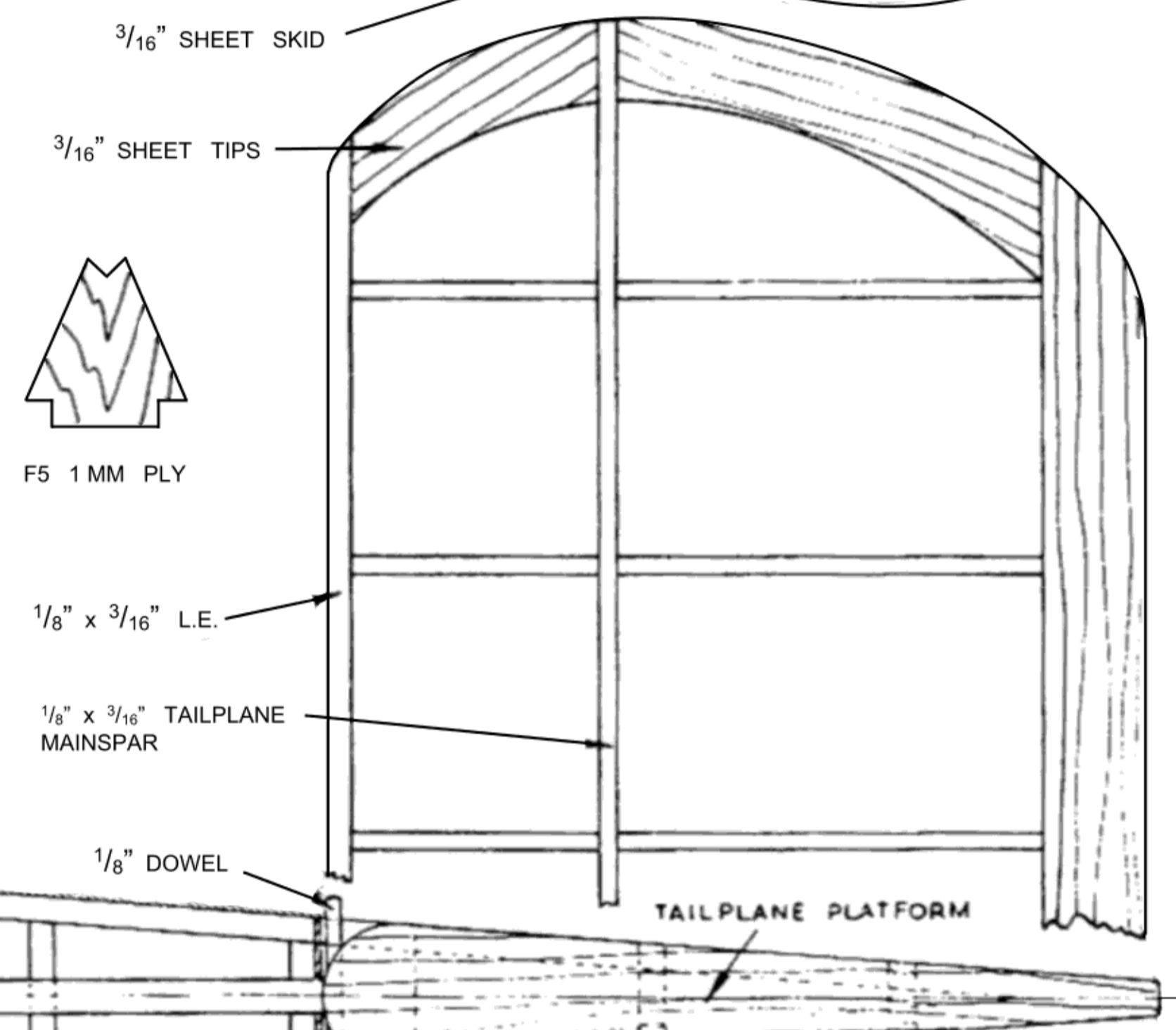


F 4 1/8" Balsa

F 2 1MM PLY

F 1 1/16" PLY

F 3 10 OFF 1MM PLY 10 OFF 1/8" Balsa



3/16" SHEET SKID

3/16" SHEET TIPS



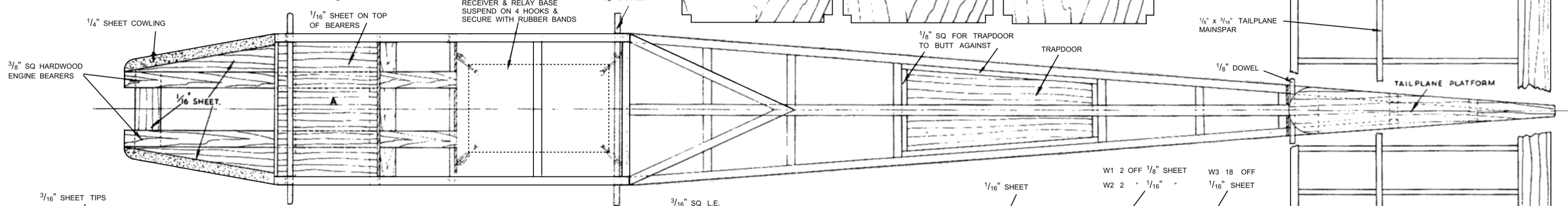
F5 1MM PLY

1/8" x 3/16" L.E.

1/8" x 3/16" TAILPLANE MAINSPAR

1/8" DOWEL

TAILPLANE PLATFORM



1/4" SHEET COWLING

1/16" SHEET ON TOP OF BEARERS

RECEIVER & RELAY BASE SUSPEND ON 4 HOOKS & SECURE WITH RUBBER BANDS

1/8" DOWEL

3/8" SQ HARDWOOD ENGINE BEARERS

1/16" SHEET

1/8" SQ FOR TRAPDOOR TO BUTT AGAINST

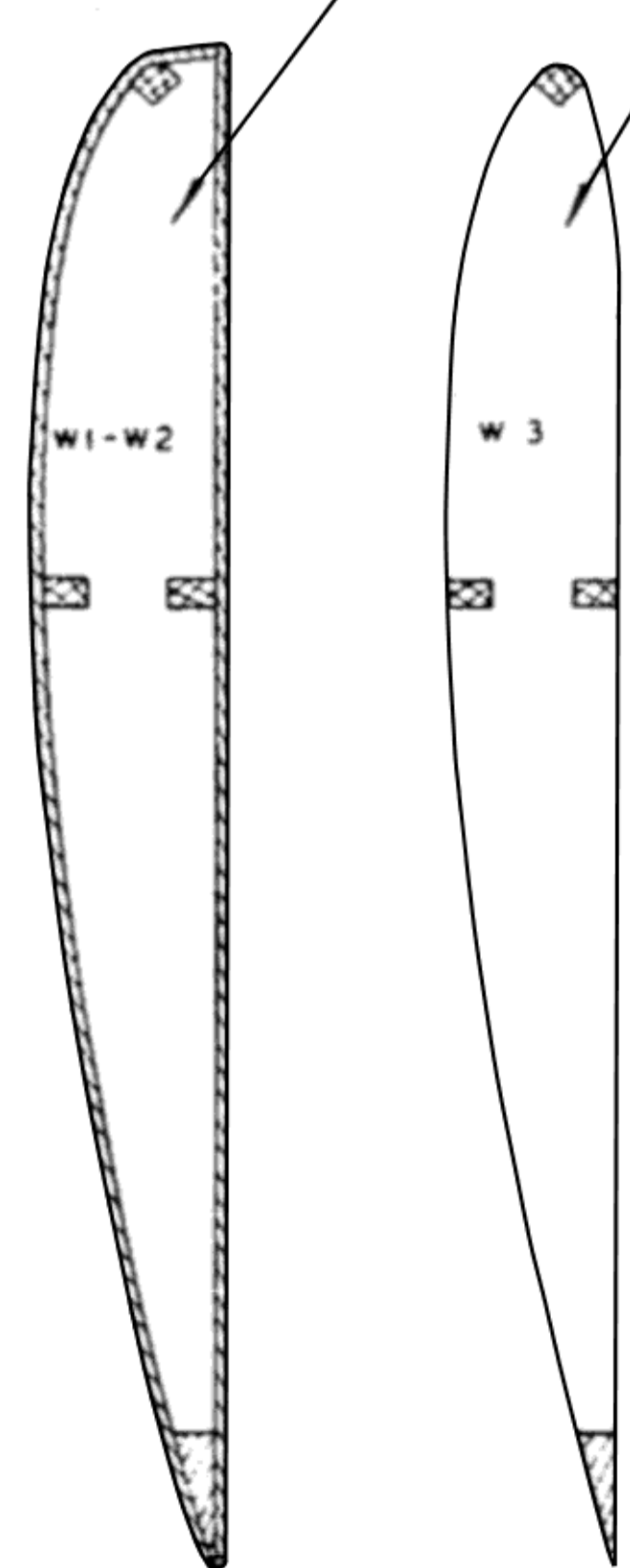
TRAPDOOR

3/16" SHEET TIPS

3/16" SQ L.E.

1/16" SHEET

W1 2 OFF 1/8" SHEET
W2 2 " 1/16" " "
W3 18 OFF 1/16" SHEET



W1-W2

W3

1/8" x 3/16" RIBS SAND TO SECTION SHOWN IN SIDE VIEW OF FUSELAGE

3/4" x 1/8" T.E.

DIHEDRAL 4" AT TIPS