

AUSTER B4

DESIGNED BY
A.A. STOWELL

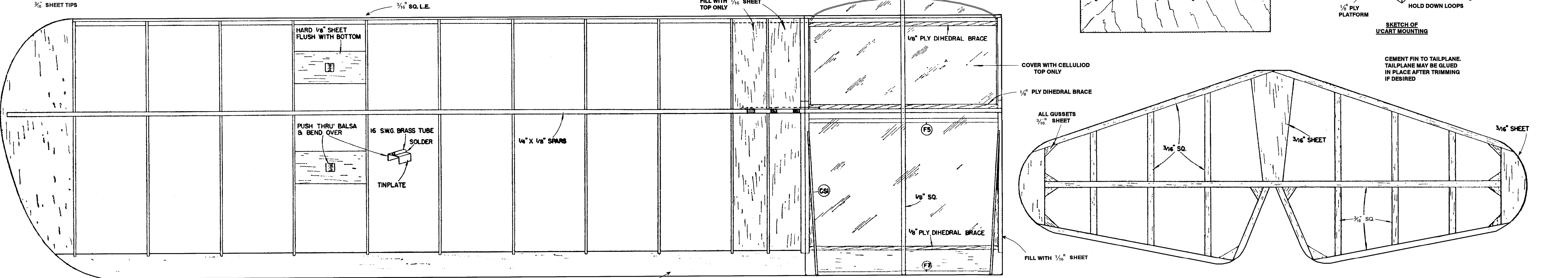
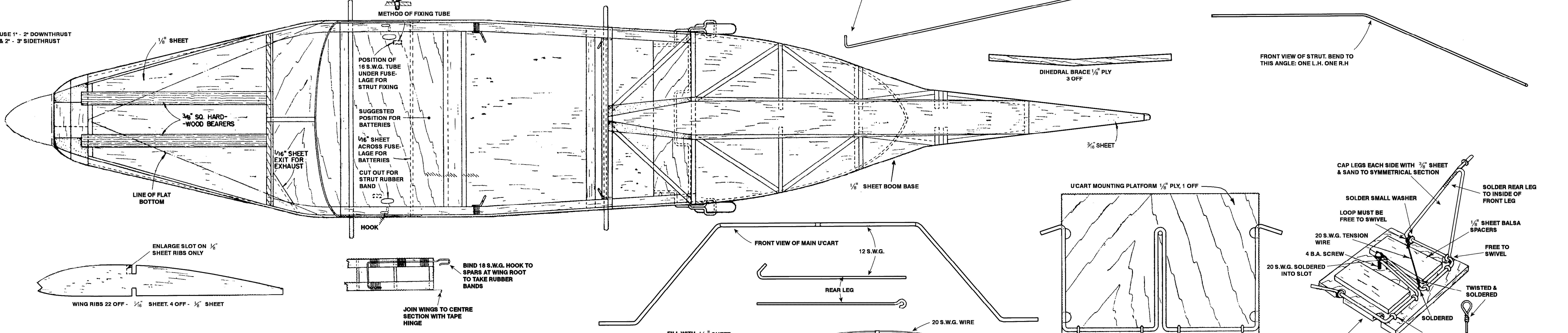
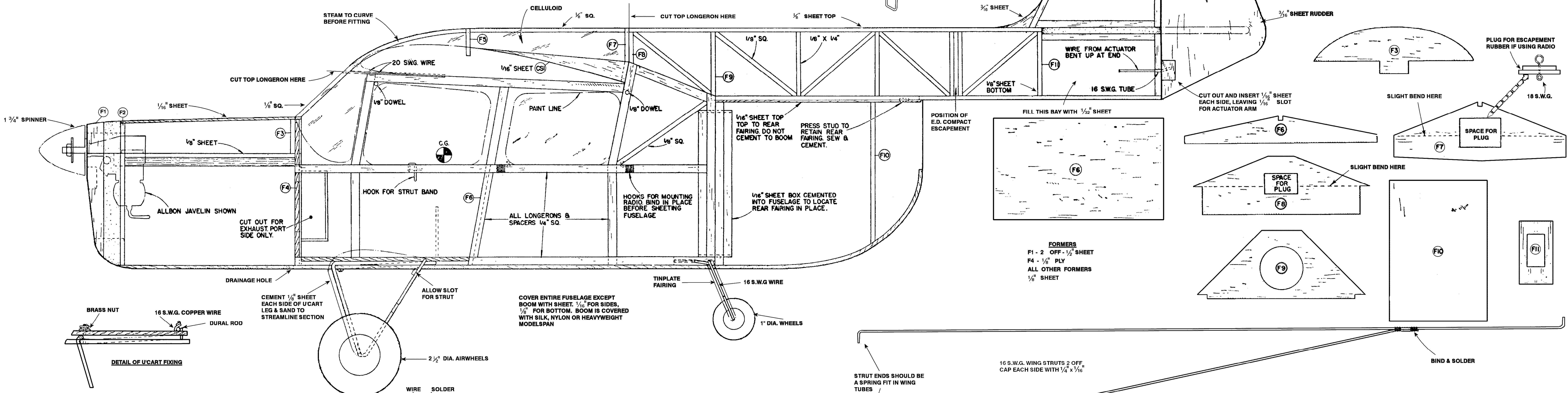
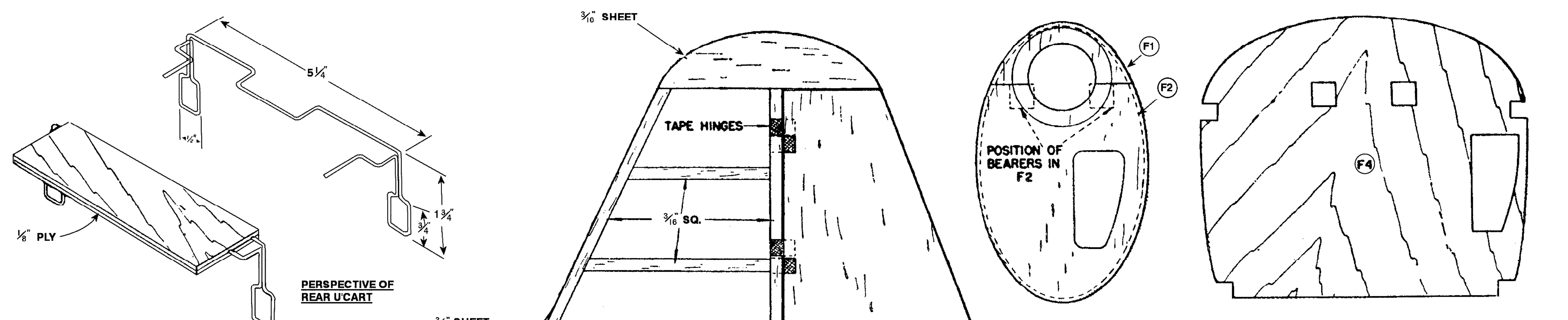
COPYRIGHT OF
THE AEROMODELLER PLANS SERVICE

38, CLARENDON RD., WATFORD, HERTS.

6/-

ALL WOODS ARE Balsa UNLESS OTHERWISE STATED

MATERIALS REQUIRED		
SHEET Balsa 3' LONG	4 STRIPS OF 1/4" X 1/4" MED.	PIECE OF CELLULOID 8" X 20"
5 SHEETS OF 1/16" X 3" MED.	4 " " 1/4" X 1/8" "	6" OF 16 SW.G. BRASS TUBE
3 " " 1/8" X 3" "	2 " " 3/16" X 3/4" " T.E.	36" . 12 " PIANO WIRE
1 " " 3/16" X 3" "	4 " " 1/16" X 1/4" HARD.	BLOCK Balsa 1" X 3" X 5"
STRIP Balsa 3' LONG	MISCELLANEOUS	24" OF 16 SW.G. PIANO WIRE
2 STRIPS OF 1/8" X 1/8" MED.	1 SQ. FT. OF 1/32" PLY.	12" " 20 " " "
5 " " 3/16" X 3/16" "	SMALL PIECE OF 1/32" SHEET.	TAPE & PRESS STRUTS.



NOTE: TO CONSTRUCT STARBOARD WING TURN PORT WING OVER, & BUILD STARBOARD WING ON TOP