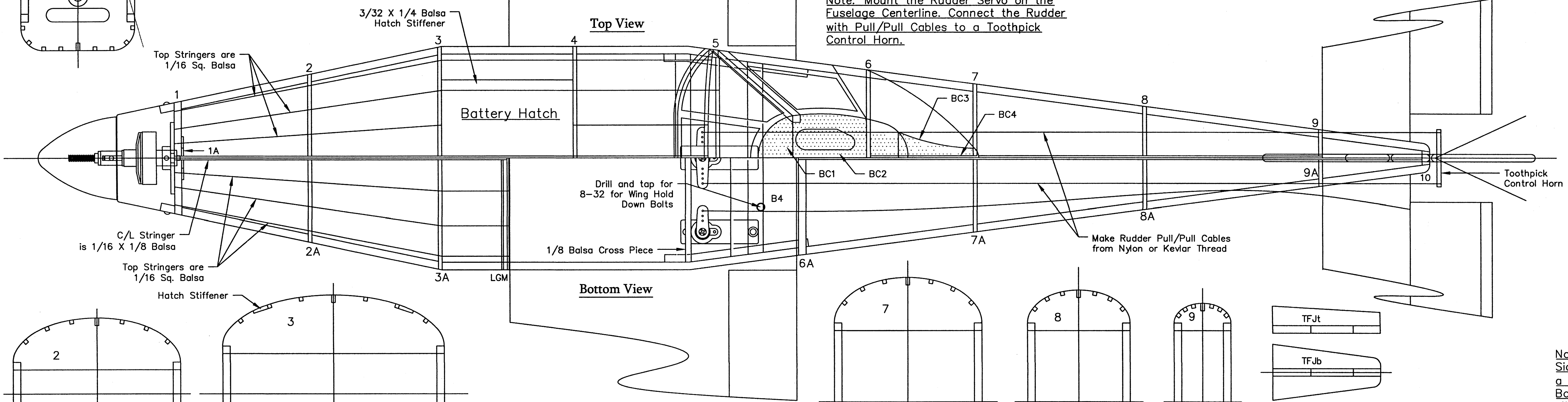


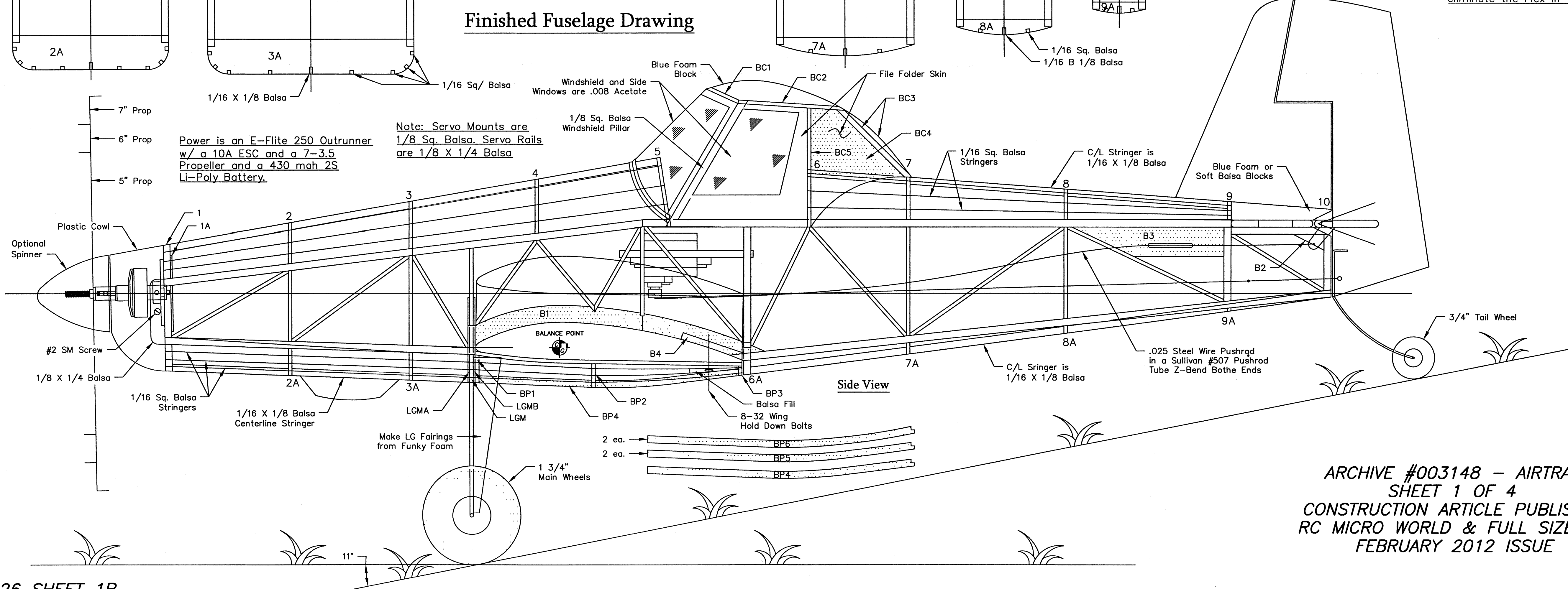
Motor Mount Detail

Note: Mount the Rudder Servo on the Fuselage Centerline. Connect the Rudder with Pull/Pull Cables to a Toothpick Control Horn.

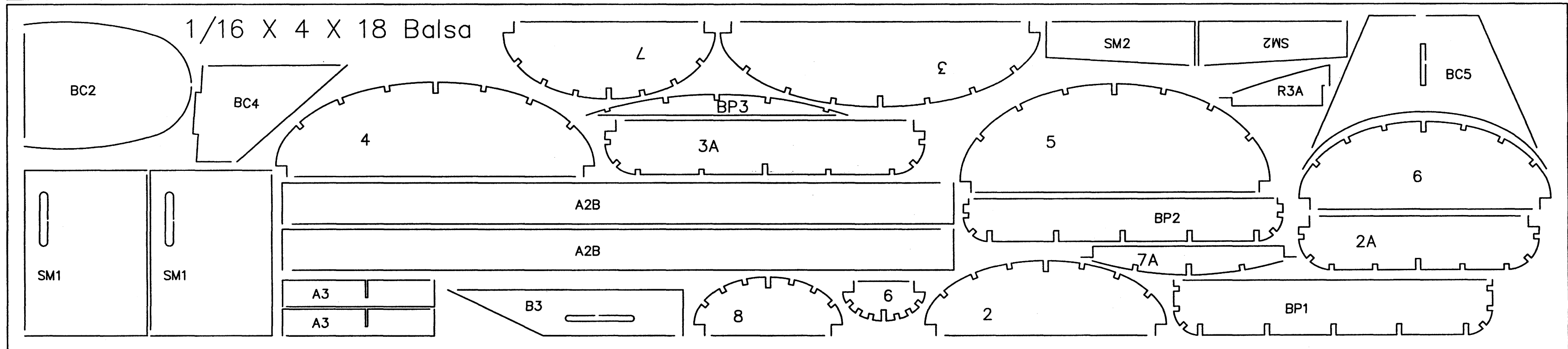
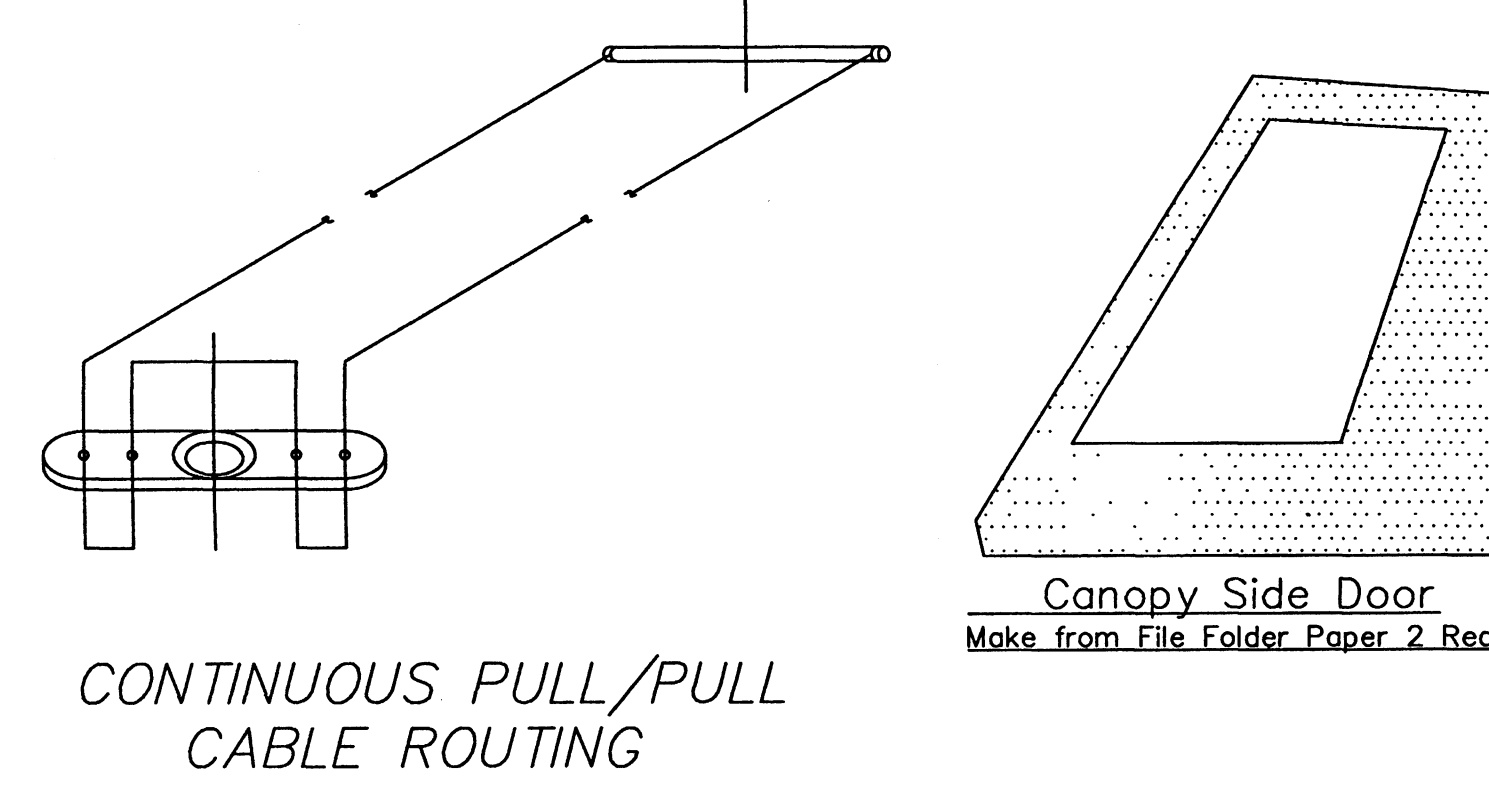
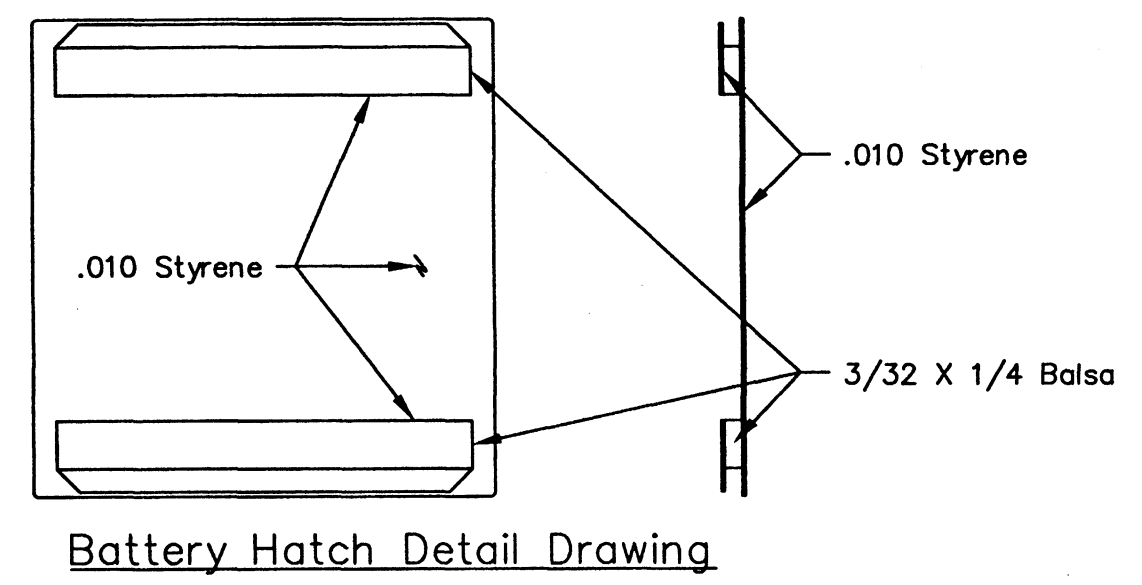
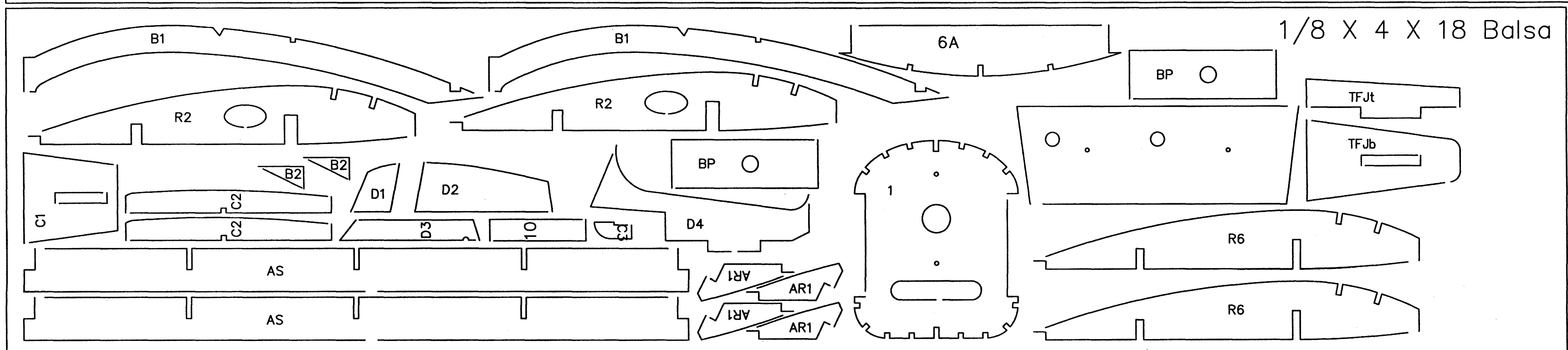
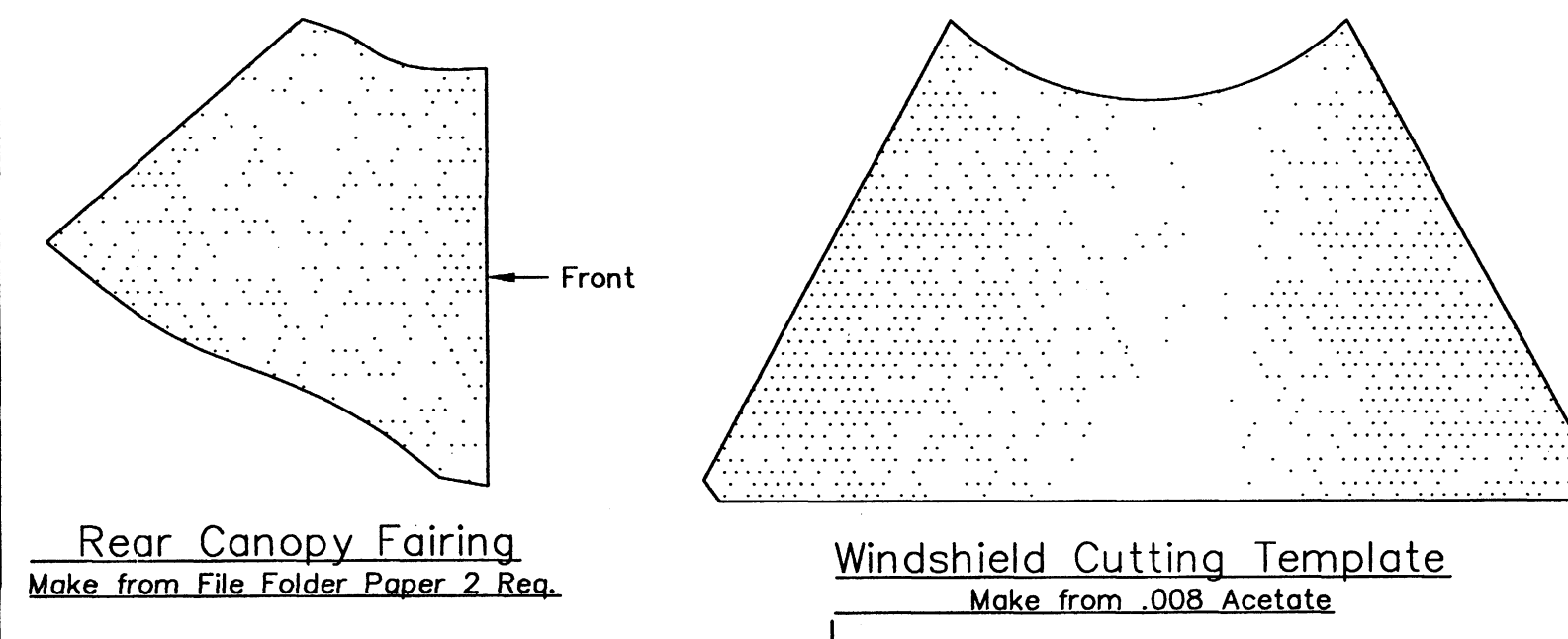
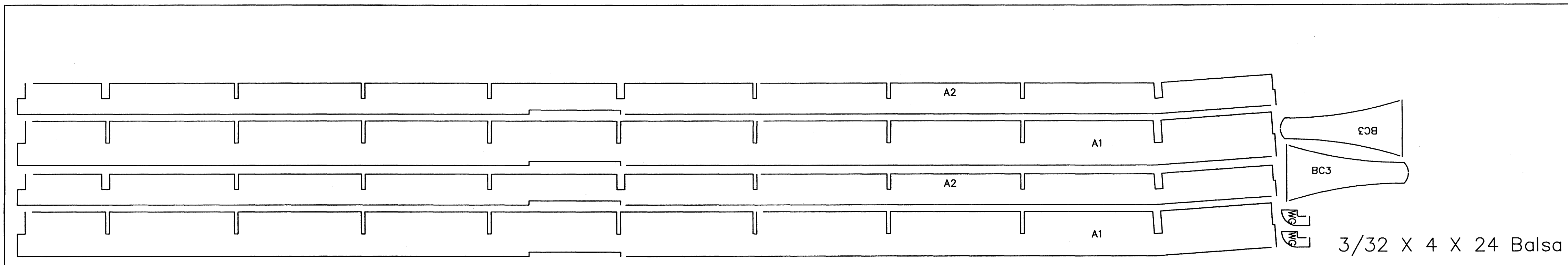


Finished Fuselage Drawing

Note: Mount Elevator Servo on the R. H. Side. Connect with a Sullivan #507 Tube and a .025 Steel Wire Pushrod w/ a Z-Bend on Both Ends. Use the PRSO Supports to eliminate the Flex in the Pushrod Tube.



ARCHIVE #003148 - AIRTRACTOR
 SHEET 1 OF 4
 CONSTRUCTION ARTICLE PUBLISHED IN
 RC MICRO WORLD & FULL SIZE PLANS
 FEBRUARY 2012 ISSUE



Additional Materials List

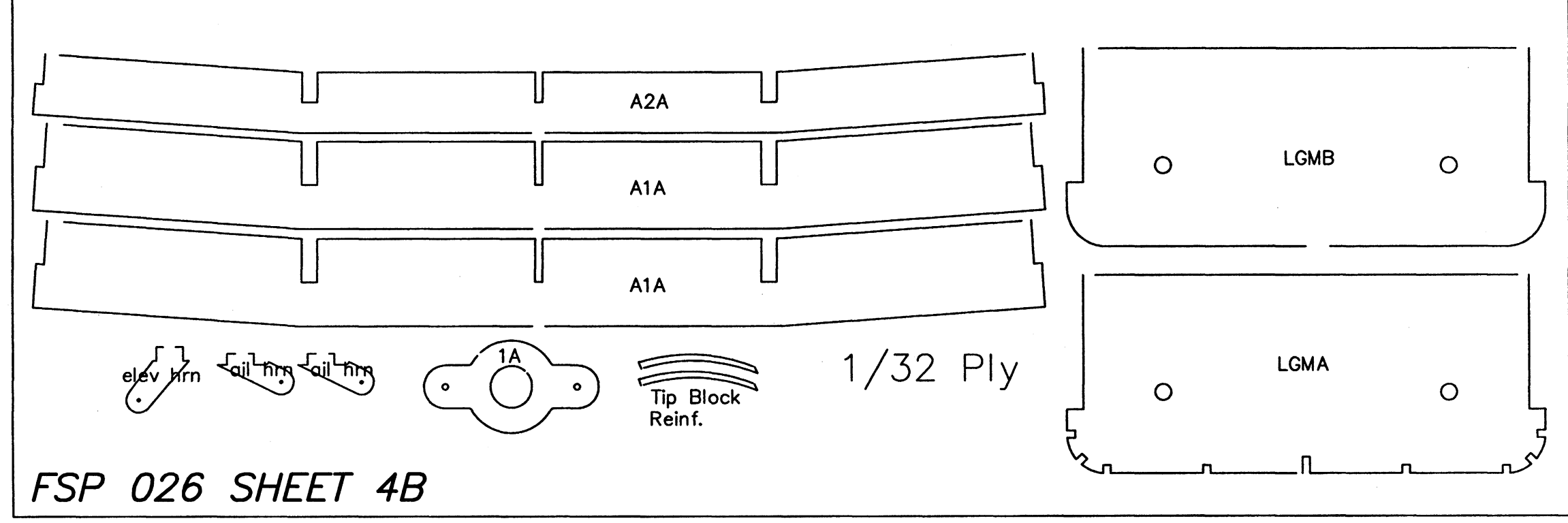
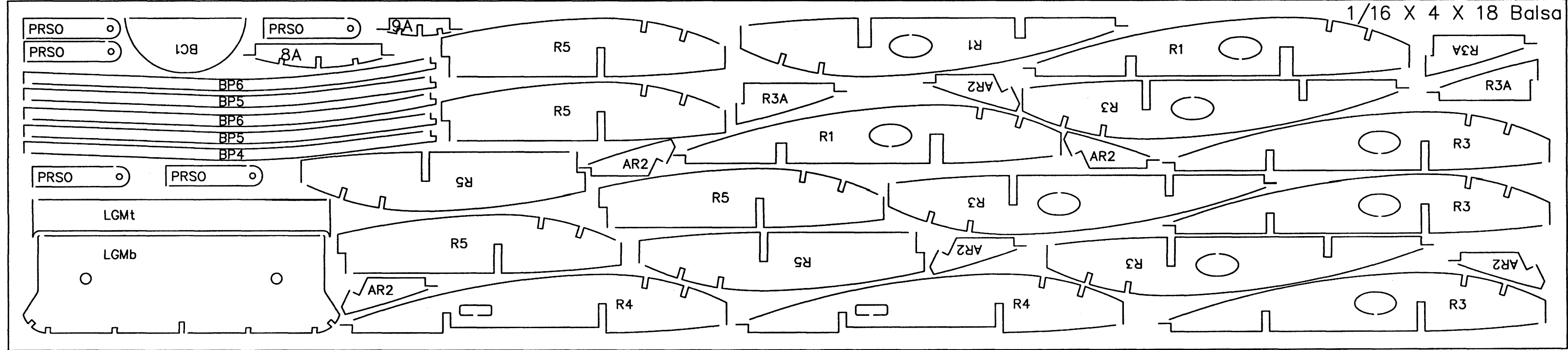
- Wood;
- 9- 1/16 Sq. X 36 Balsa
 - 8- 1/16 X 1/8 X 36 Balsa
 - 2- 3/32 X 1/4 X 36 Balsa
 - 8- 1/8 Sq. X 36 Balsa
 - 1- 1/8 X 1/4 X 12 Balsa
 - 2- 3/16 X 1/4 X 36 Balsa

- Metal;
- 1- .062 Dia. X 24 Steel Wire
 - 1- .032 Dia. X 24 Steel Wire
 - 1- .025 Dia. X 24 Steel Wire

Additional Materials List

- Miscellaneous;
- 1- 3/4" Tail Wheel
 - 1 Pr.- 1 3/4" Main Wheels
 - 1- Toothpick (Rudder Control Horn)
 - 1 Roll- Microlite
 - 4- Nylon EZ-Connector Keepers (Wheel Retainers)
 - 1- .008 X 6 X 12 Acetate
 - 1- Manila File Folder
 - 1- 1/2 X3 X 6 Blue Foam or Balsa Block
 - 2- 8-32 X 1" Nylon Socket Head Bolts
 - 1- Sullivan #507 Pushrod Tube
- Power & Guidance;
- 1- E-Flite 250 Outrunner
 - 1- 6 - 10 Amp ESC w/ BEC
 - 1- APC 7-3.5DD Propeller
 - 1- 430 mah 2S Li-Poly Battery
 - 4- E-Flight S-60 Servos

Note: Cut the Parts from the Pattern Sheets Provided. The Pattern Sheets can also be used to make Print Wood on the Balsa and Plywood Sheet Sizes called out.



Parts Cutting Pattern Sheets

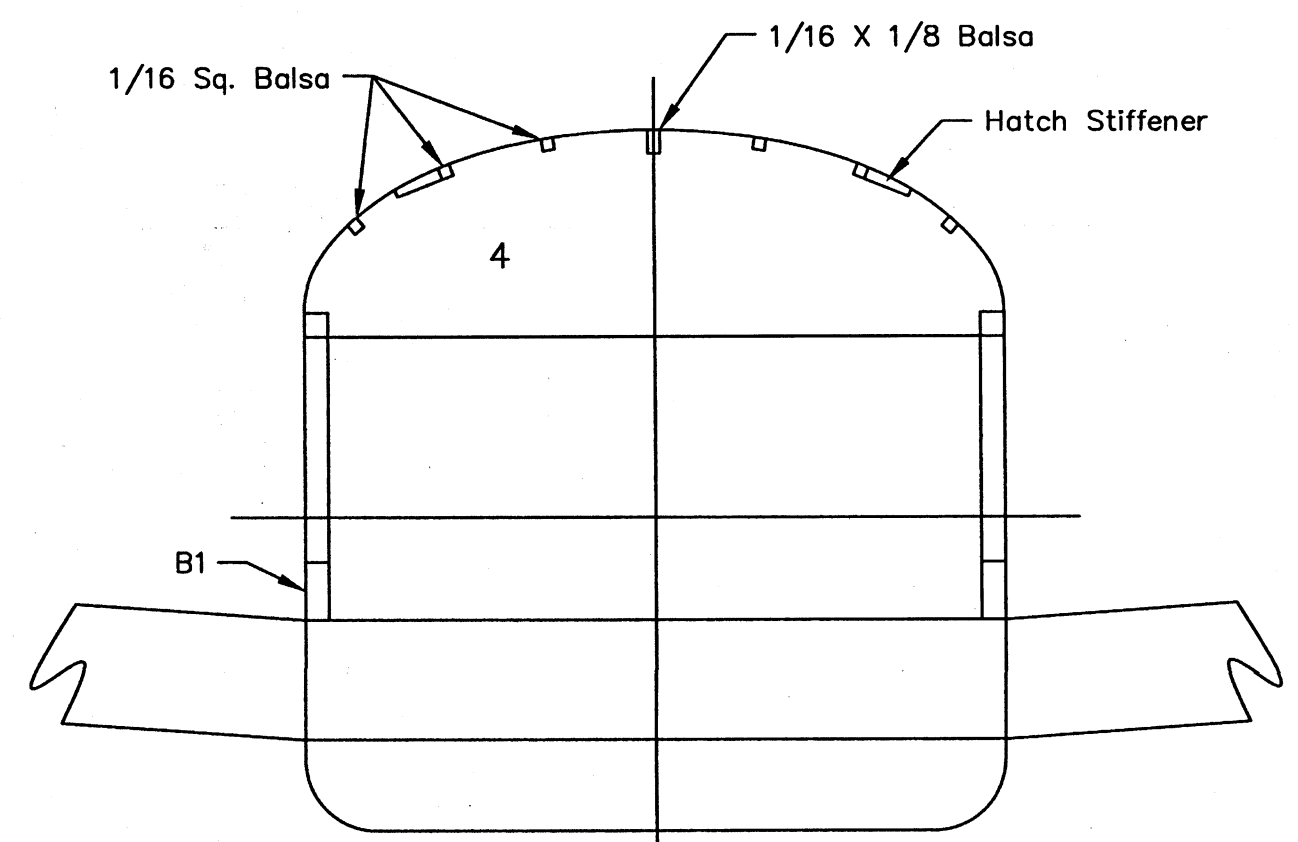
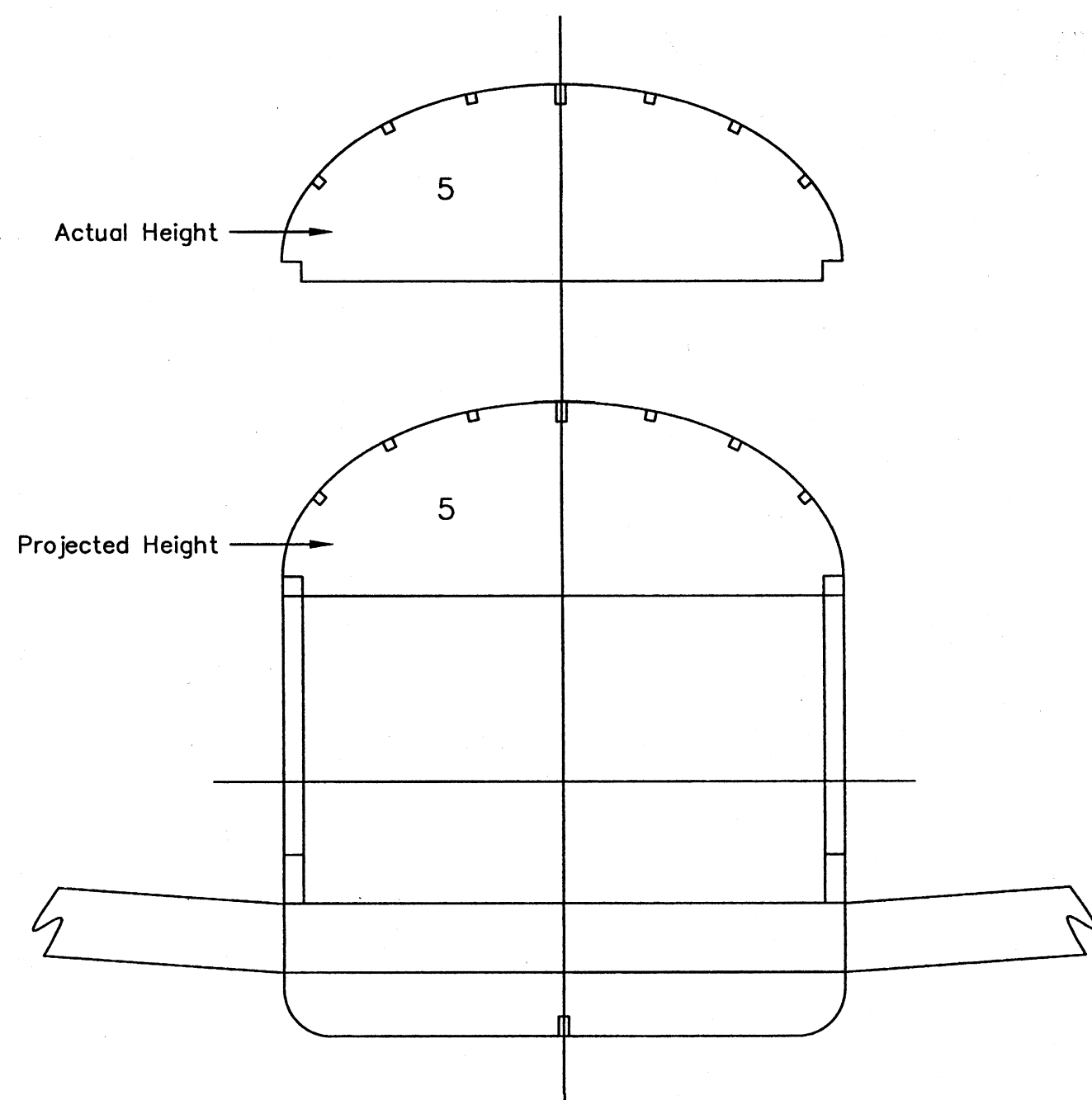
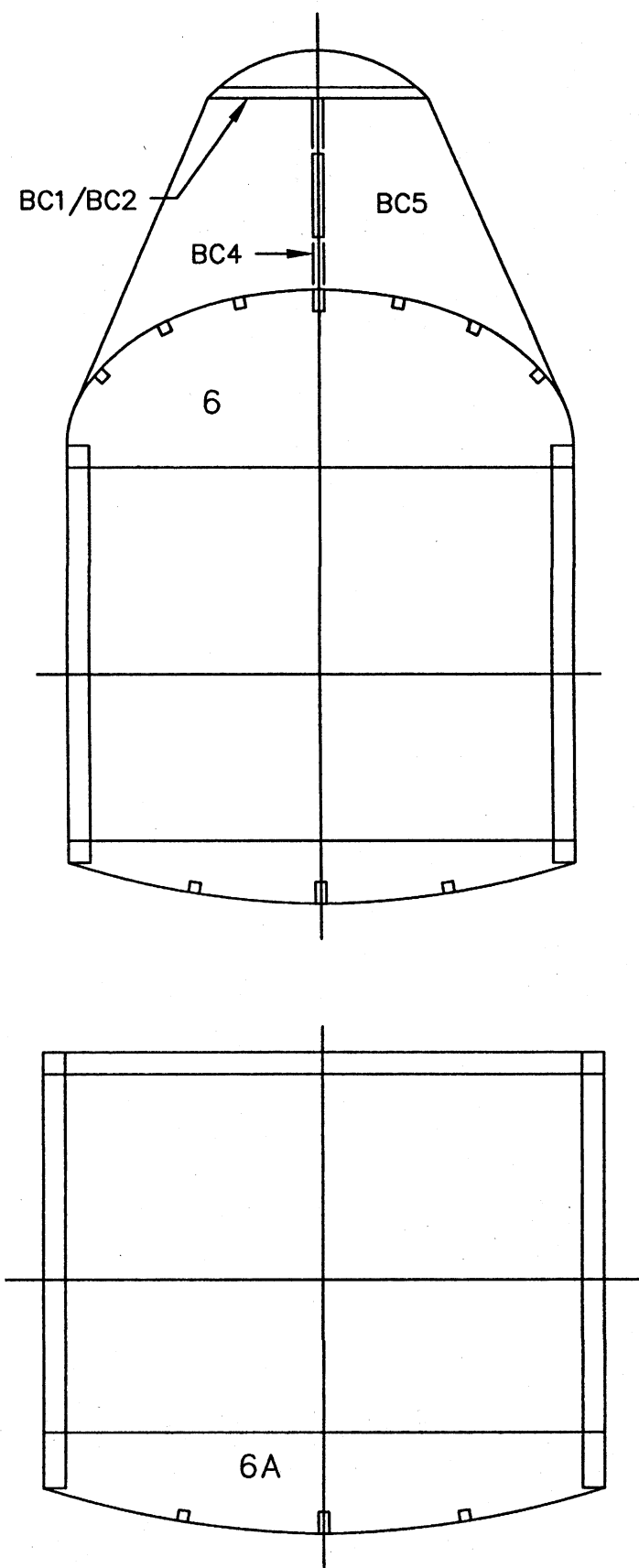
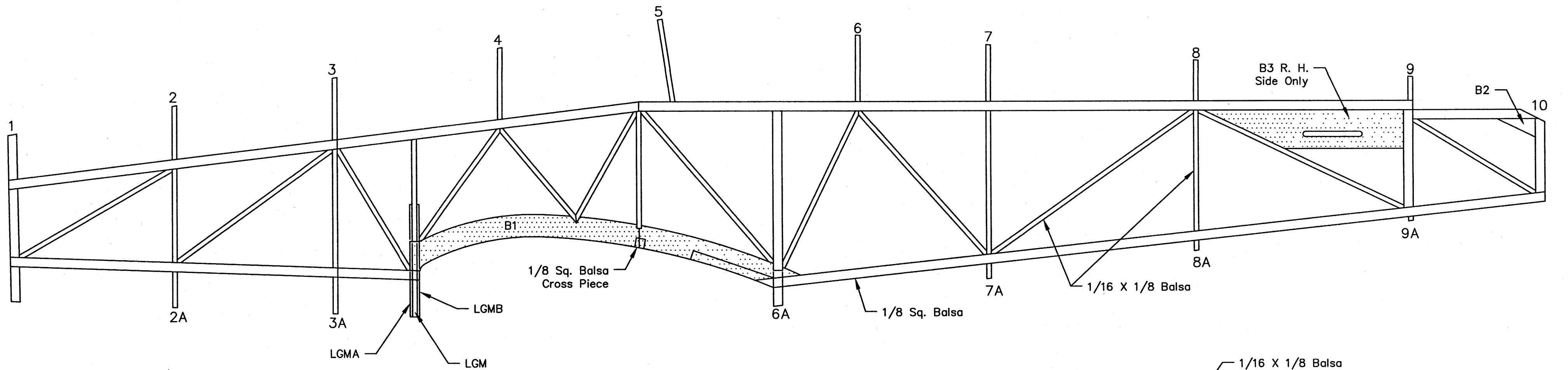
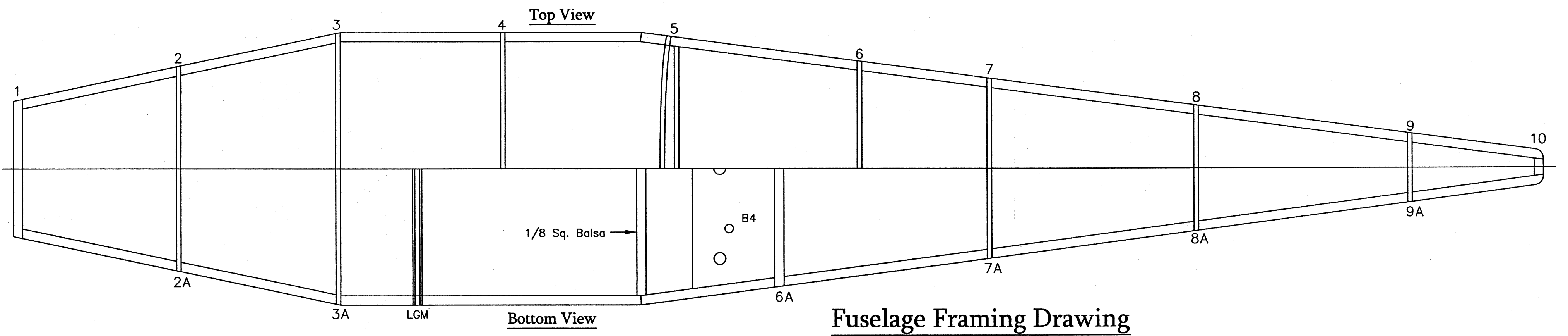
A Laser Cut Parts and Plastic Cowling Pack is Available from:
www.patscustom-models.com

CONSTRUCTION ARTICLE PUBLISHED IN
 RC MICRO WORLD & FULL SIZE PLANS
 FEBRUARY 2012 ISSUE

ARCHIVE #003148
 COOPERATIVE PLANS SERVICE
 1640 N KELLOGG STREET
 GALESBURG, ILLINOIS 61401, USA
www.co-op-plans.com
 (C)2011 - Not for resale

AT-503 Airtractor

Span: 40"	Len: 24.75"
Flying Wt: 7 - 8 oz.	
Wing Area: 190 Sq. In.	
Des. by: Pat Tritle	
1-5-2012 PCM	



Fuselage Cross Section Drawings

CONSTRUCTION ARTICLE PUBLISHED IN
RC MICRO WORLD & FULL SIZE PLANS FEB 2012
SHEET 2 OF 4

AT-503 Airtractor	
Span: 40"	Len: 24.75"
Flying Wt: 7 - 8 oz.	
Wing Area: 190 Sq. In.	
Des. by: Pat Tritle	
1-5-2012 PCM	