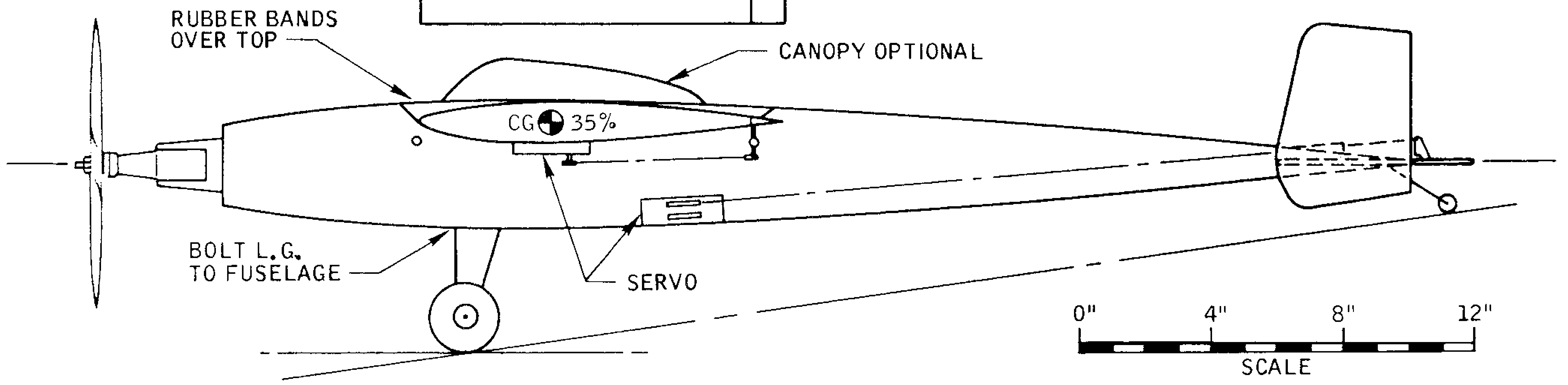
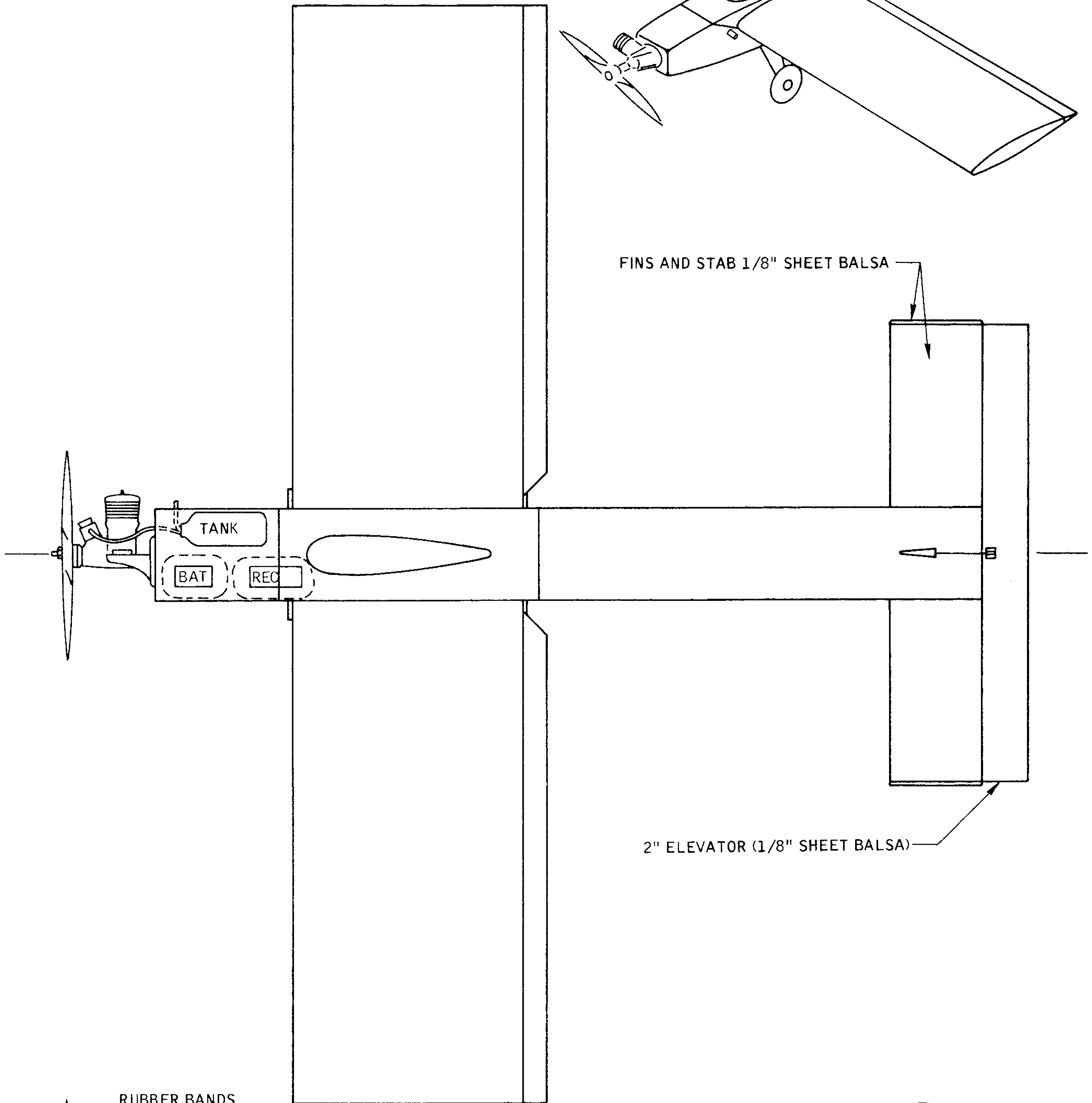
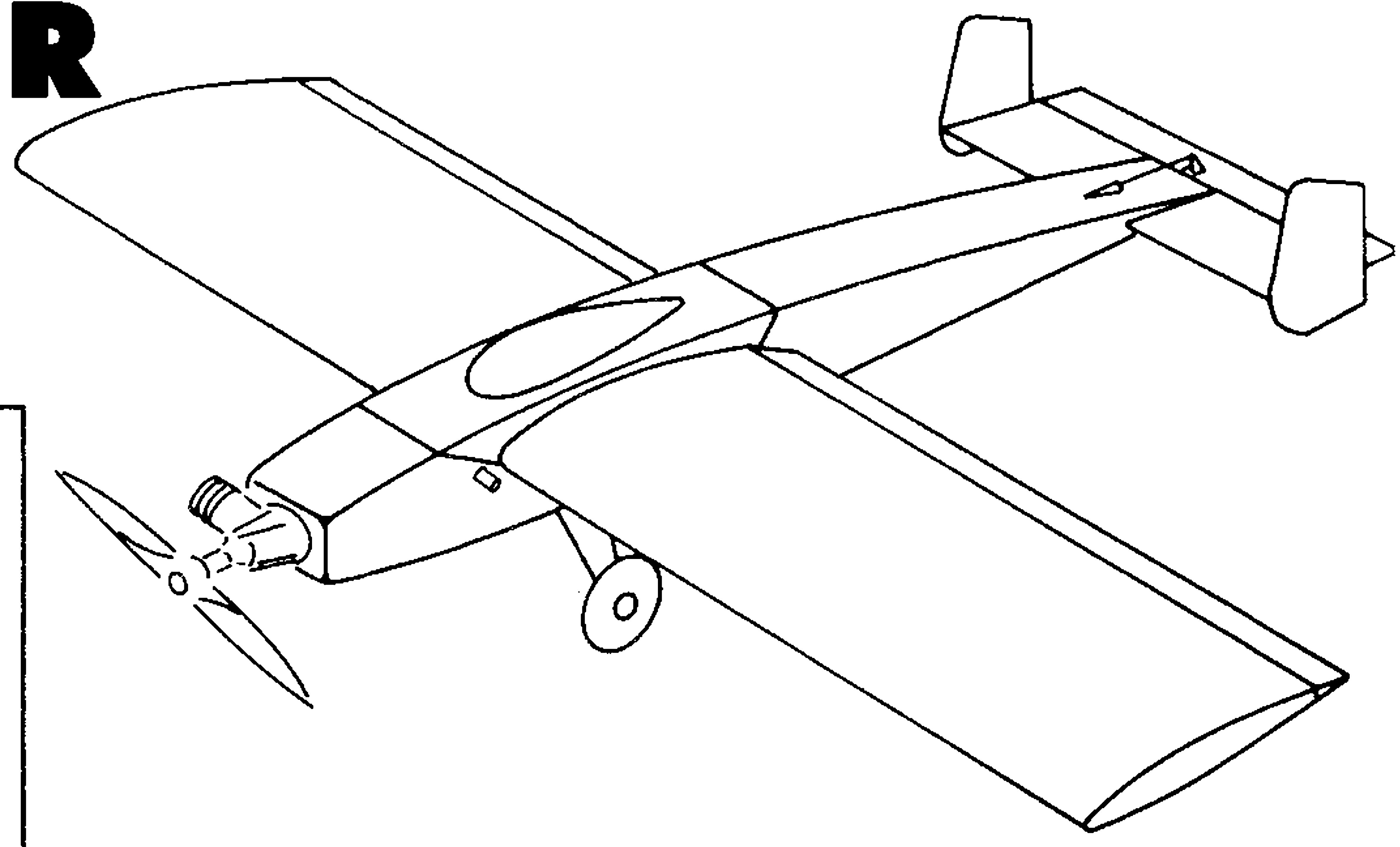


WEEKEND WARRIOR

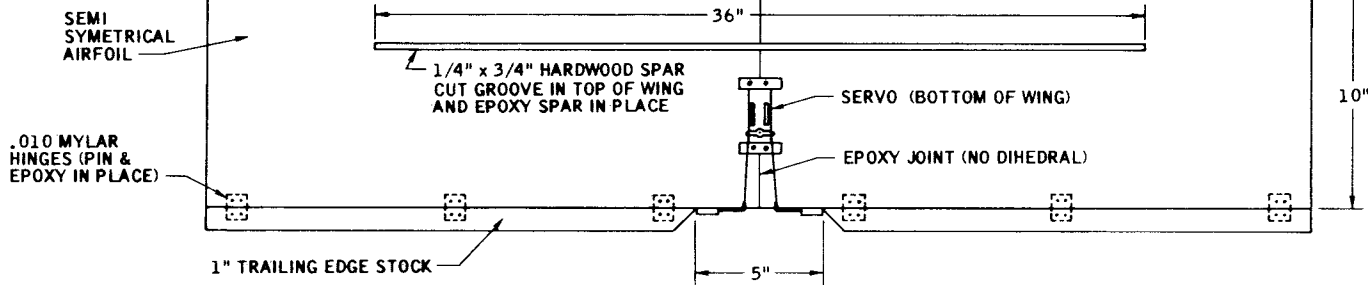


SCALE

JACK DEVET

STEP 1

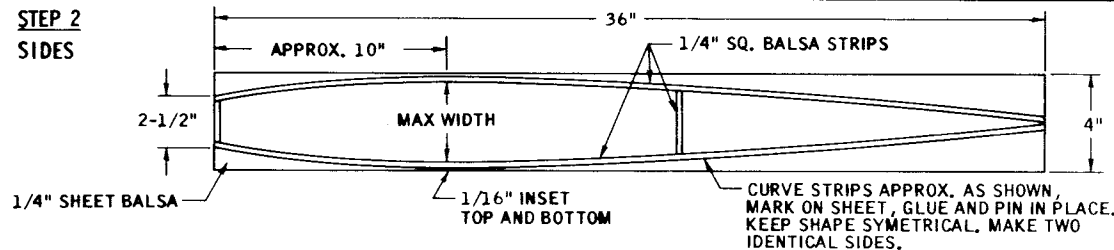
WING LAYOUT



PLANK FOAM WING WITH 1/16" Balsa BEFORE INSTALLING SERVO (TOP, BOTTOM AND ENDS)

STEP 2

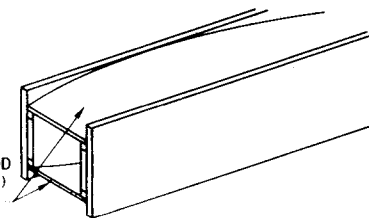
SIDES



STEP 4

INSTALL TOP AND BOTTOM

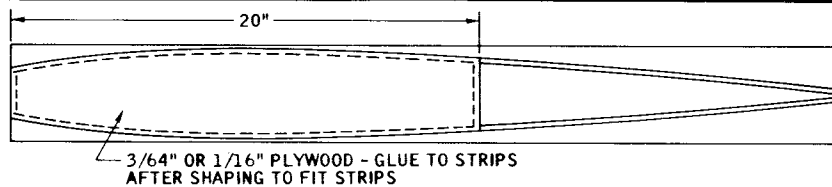
4" x 36" x 3/64" OR 1/16" PLYWOOD (TOP AND BOTTOM) GLUE IN PLACE



HOLD TOGETHER WITH RUBBER BANDS WHILE GLUE DRIES. TRIM OFF EXCESS 1/4" Balsa

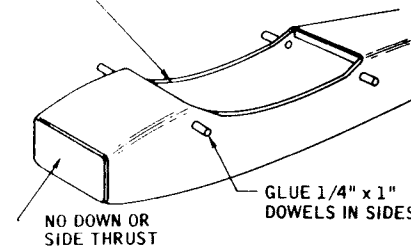
STEP 3

INSTALL PLYWOOD DOUBLERS



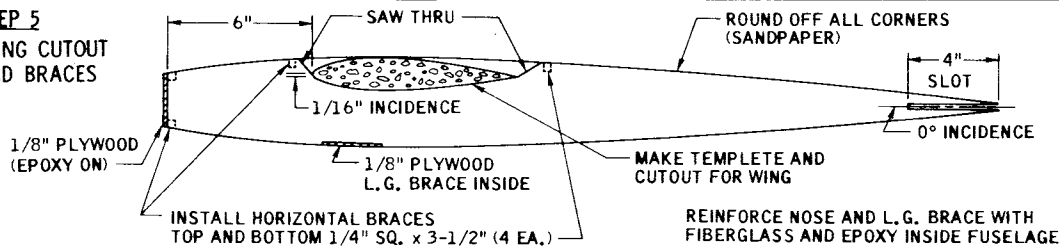
STEP 6

FILL ENTIRE 1/4" GAP IN FUSELAGE SIDES WITH SIG "SUPER FOAM"



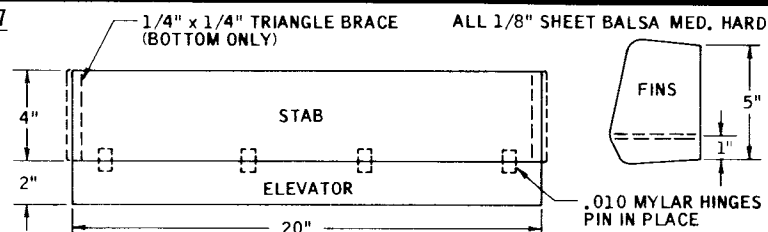
STEP 5

WING CUTOUT AND BRACES



STEP 7

FINS AND STAB



STEP 8

- EPOXY STAB TO FUSLAGE.
- FINISH WITH PAINT, DOPE OR SUPER MONOKOTE.
- BOLT L.G. TO FUSELAGE.
- BOLT ON ENGINE MOUNT AND ENGINE (.35 TO .45 CU. IN.)

STEP 9

INSTALL RADIO EQUIPMENT AND SERVOS, PUSHRODS, SEAL WING AND PUSHROD OPENINGS WITH CELASTIC. INSTALL 8 OZ. TANK

WEIGHT LESS FUEL WITH MONOKOTE 4-1/4 TO 4-1/2 LBS.