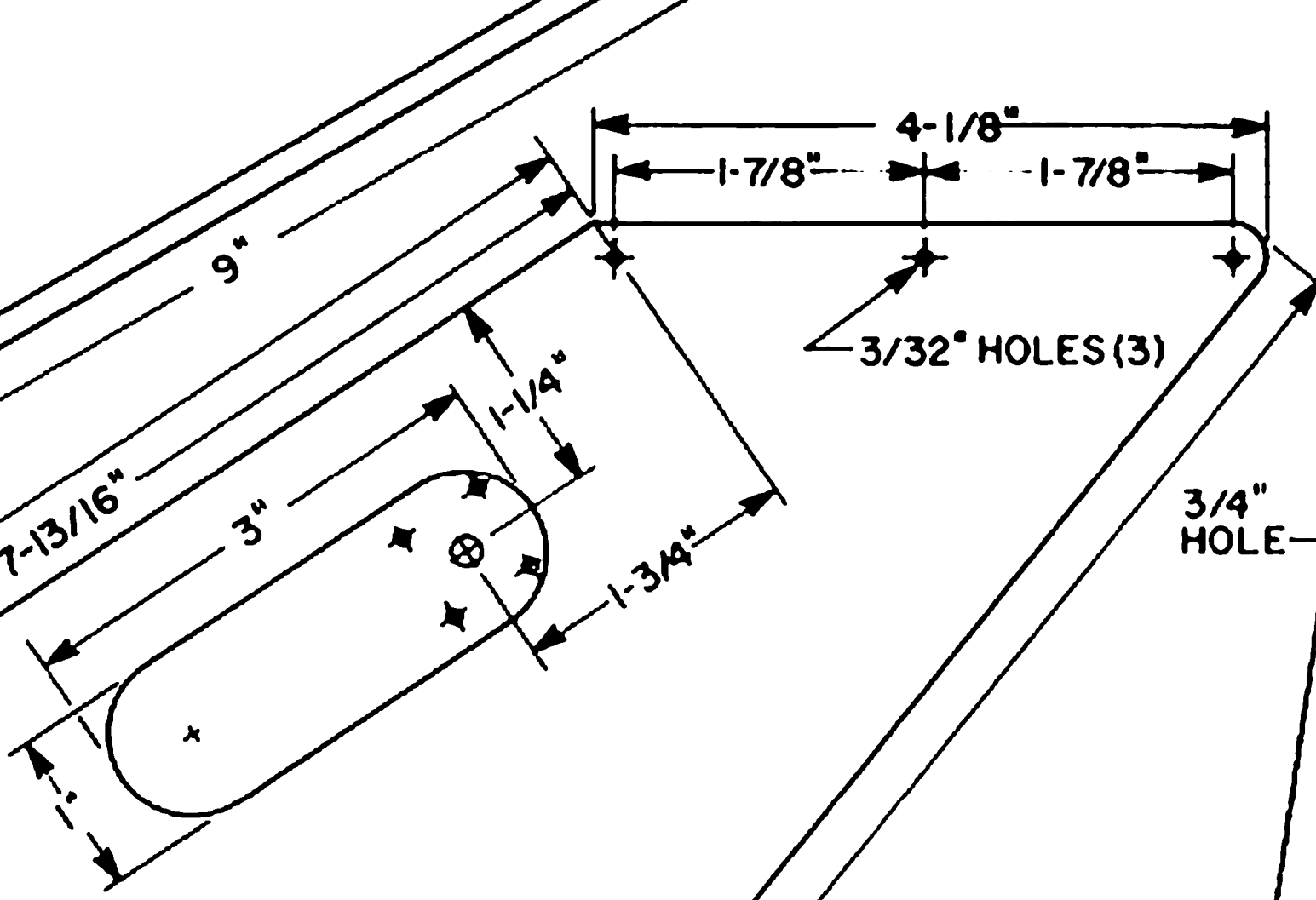
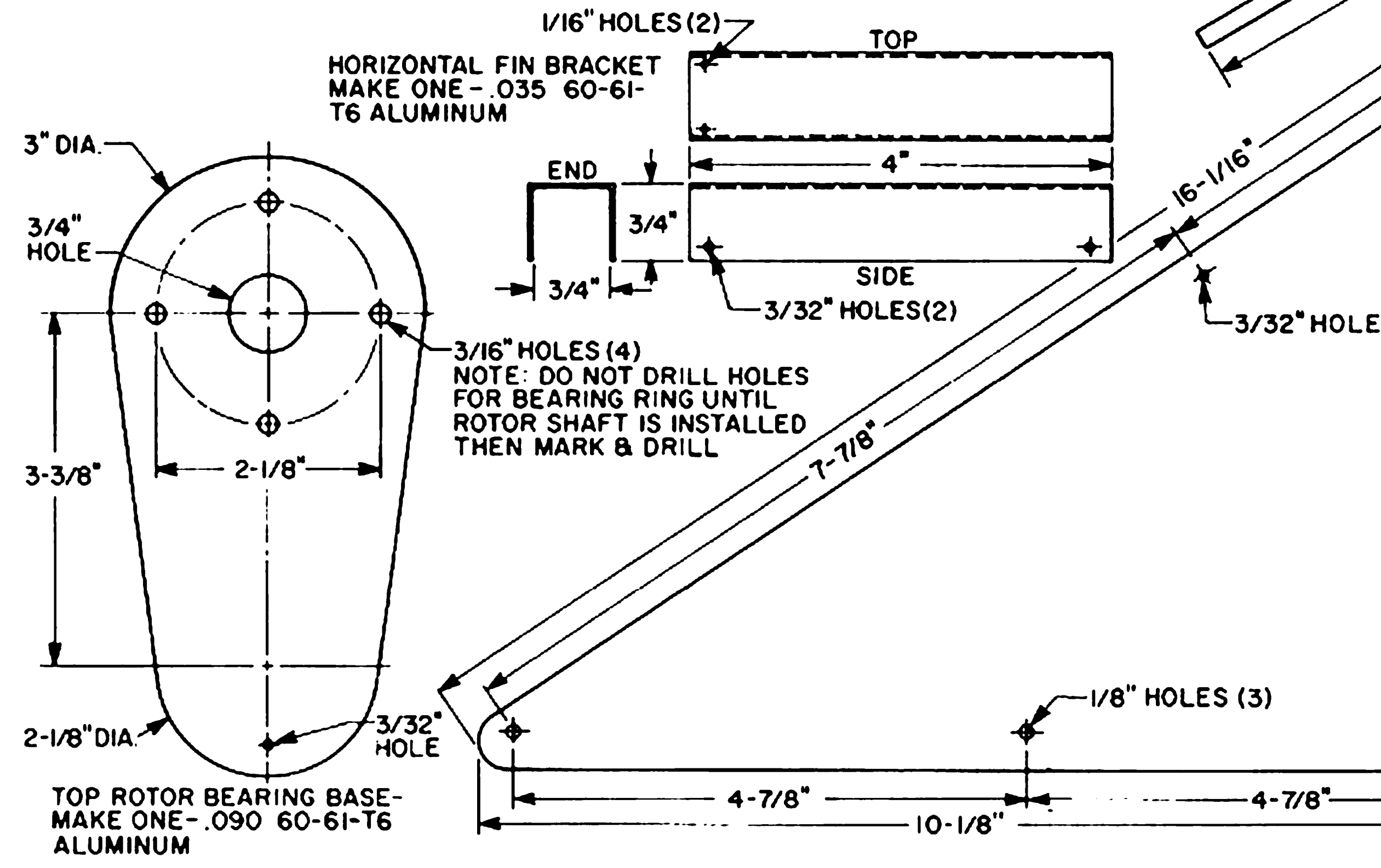
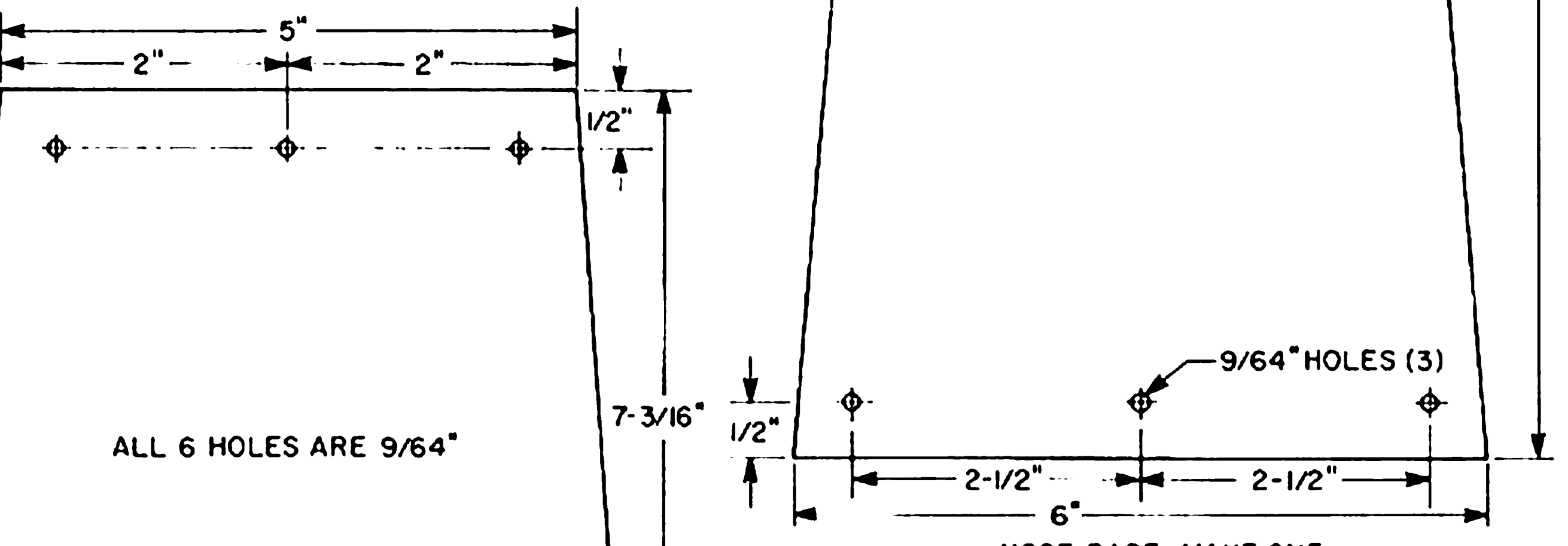
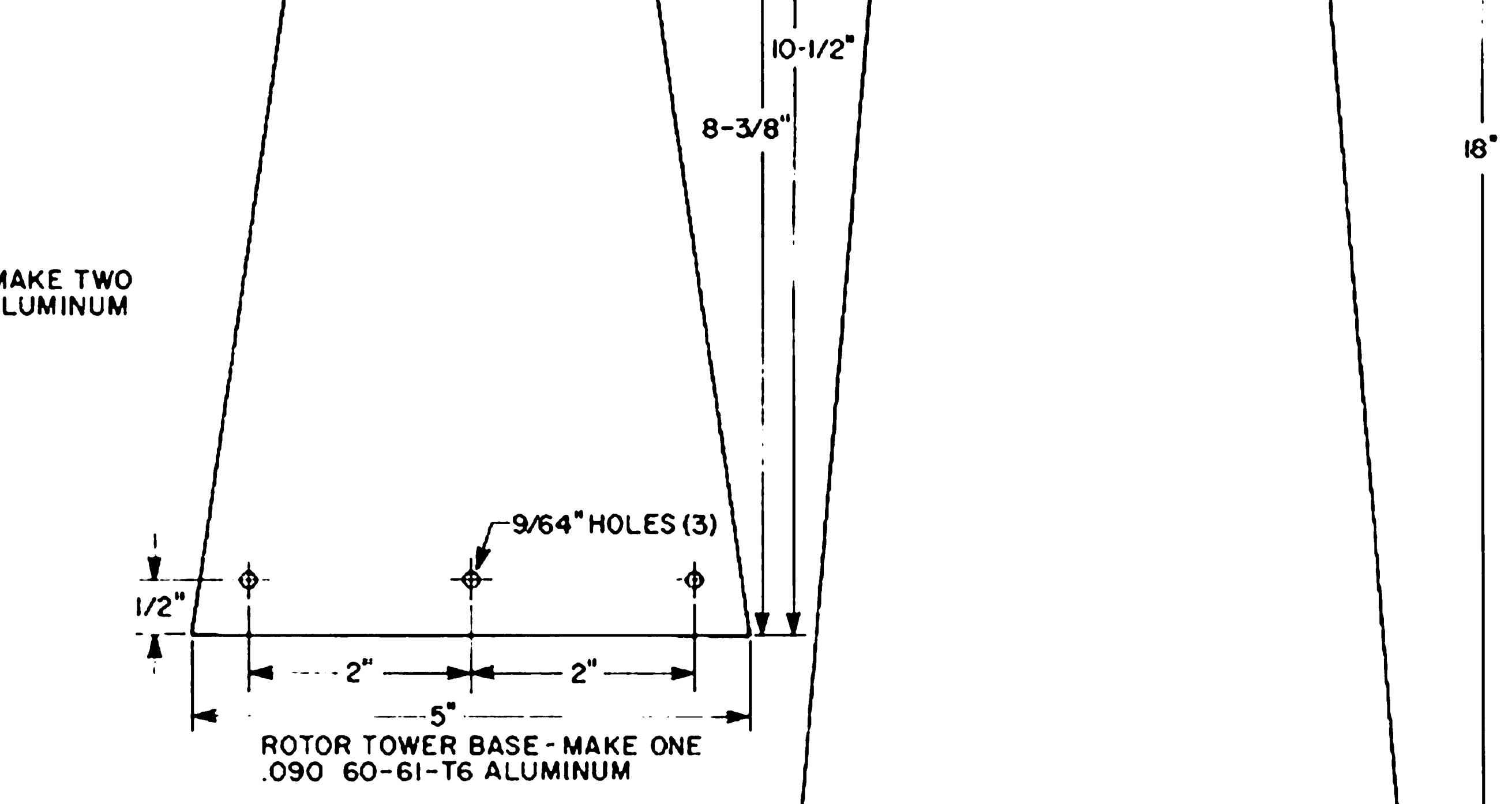
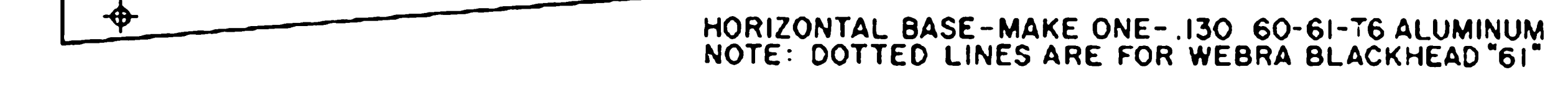
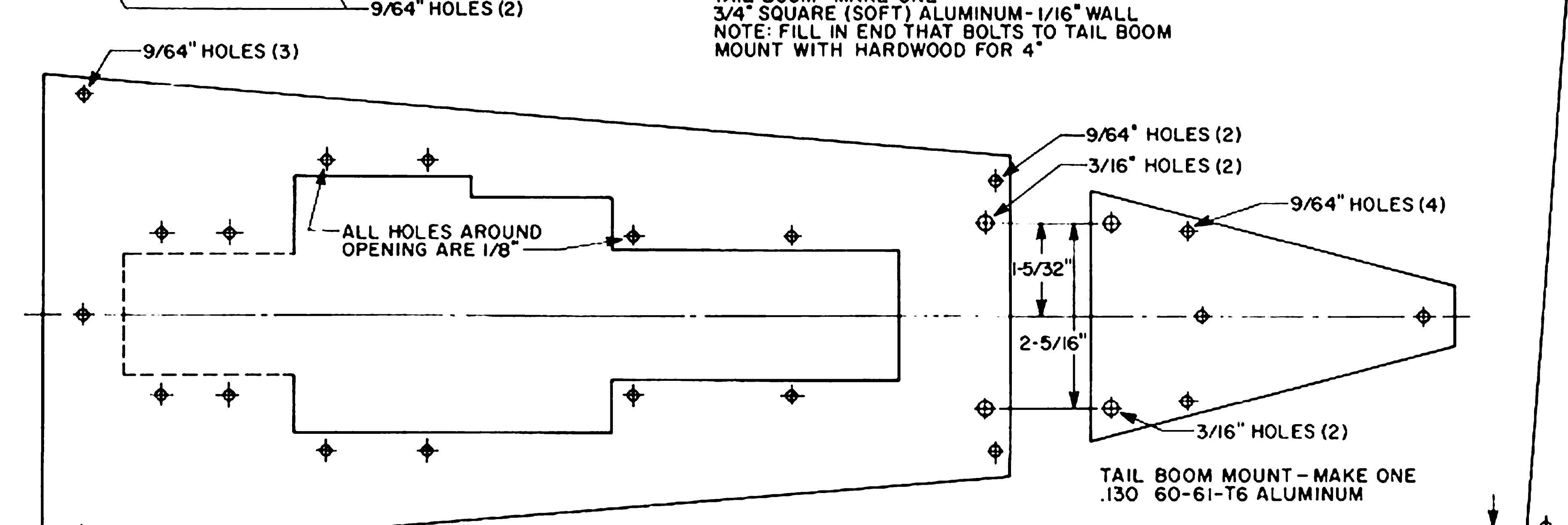
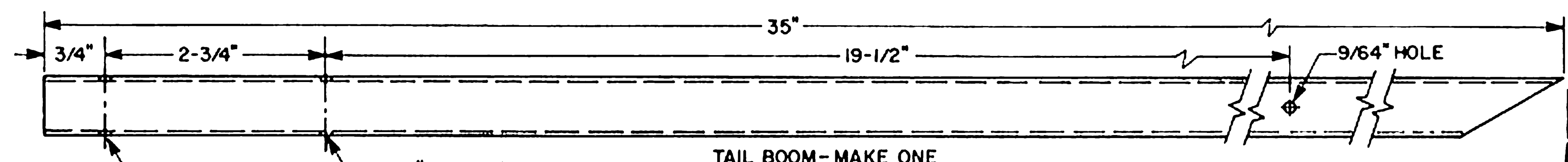
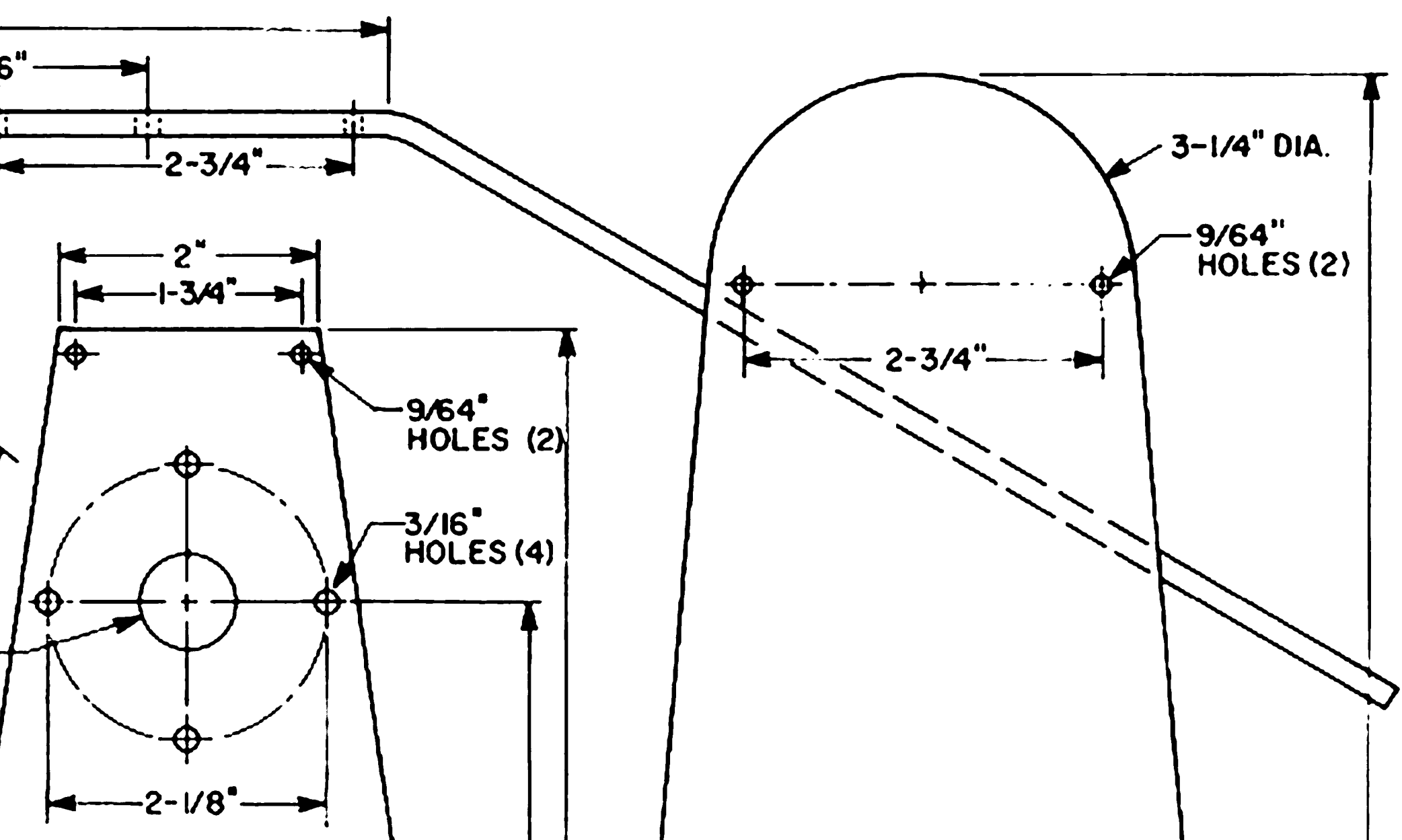


LANDING GEAR LEGS-MAKE TWO
3/16" X 1" X 48" 60-61-T6 ALUMINUM
2-3/4" HOLE SPACING IS FOR
FRONT LEG.
2-5/16" HOLE SPACING IS
FOR REAR LEG.



NOTE: MOUNTING HOLES FOR
TAIL ROTOR GEAR BOX IN RIGHT
SIDE ONLY- SPACING IS 9/16"-
CENTER HOLE IS 3/16"
1" X 3" HOLE IN LEFT SIDE
ONLY.



© NCM ALL COMMERCIAL RIGHTS RESERVED

TIN LIZZIE

DESIGNED BY LOUIS LAVINE DRAWN BY DICK KIDD

