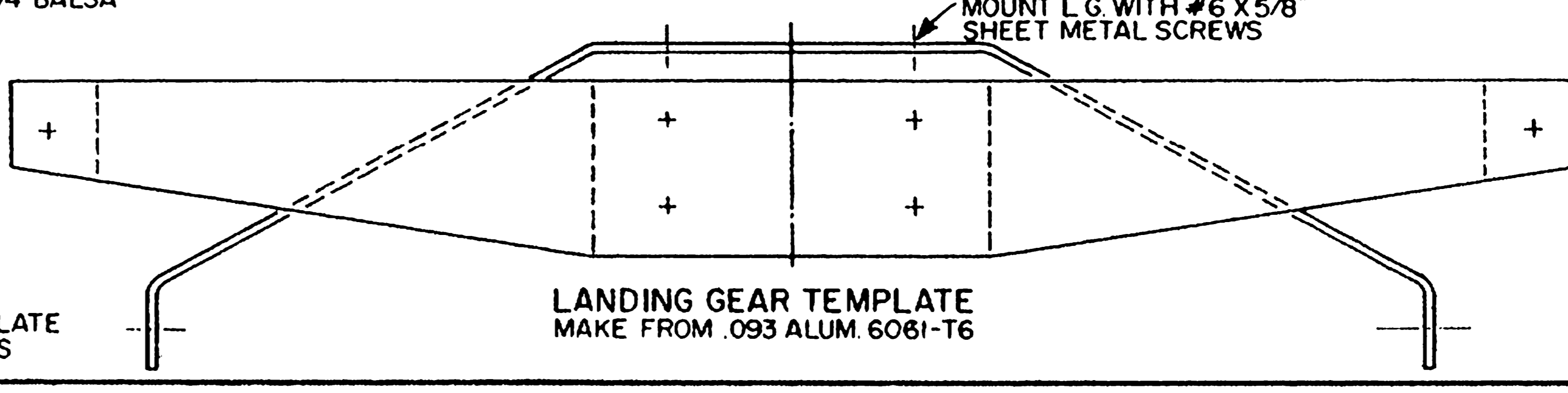


©RCM ALL COMMERCIAL RIGHTS RESERVED

SPORTY FORTY

DESIGNED BY KEN WILLARD DRAWN BY DICK KIDD

PLAN NO. 719



BOTTOM VIEW OF TANK HATCH

WHEEL PANT ASSEMBLY

LANDING GEAR TEMPLATE MAKE FROM .093 ALUM. 6061-T6