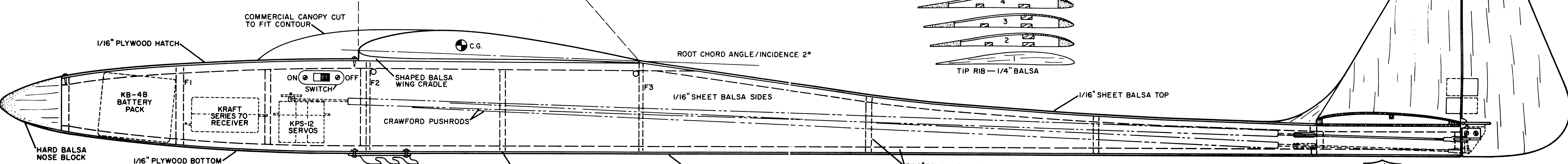
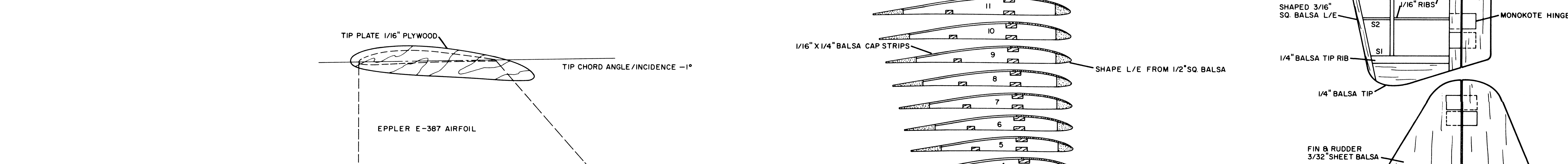
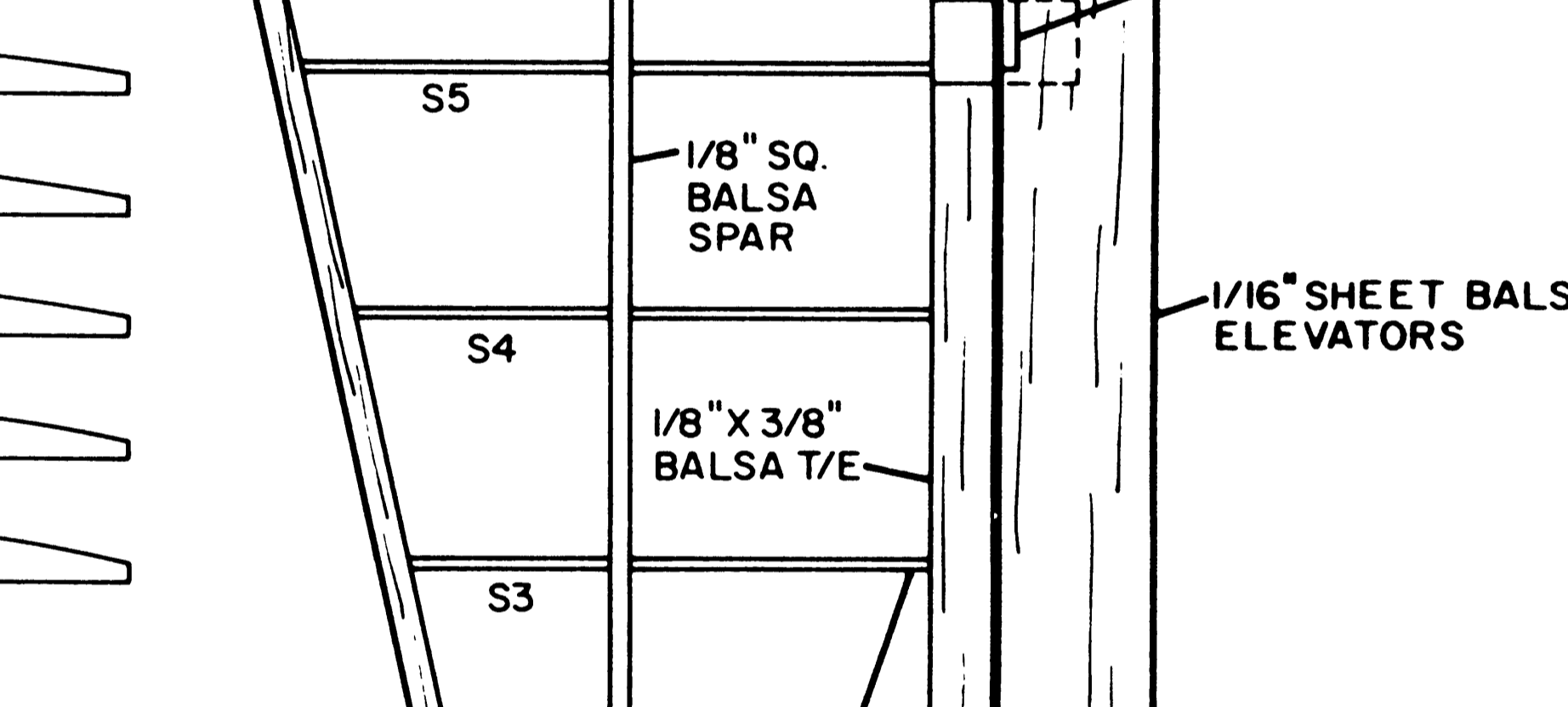
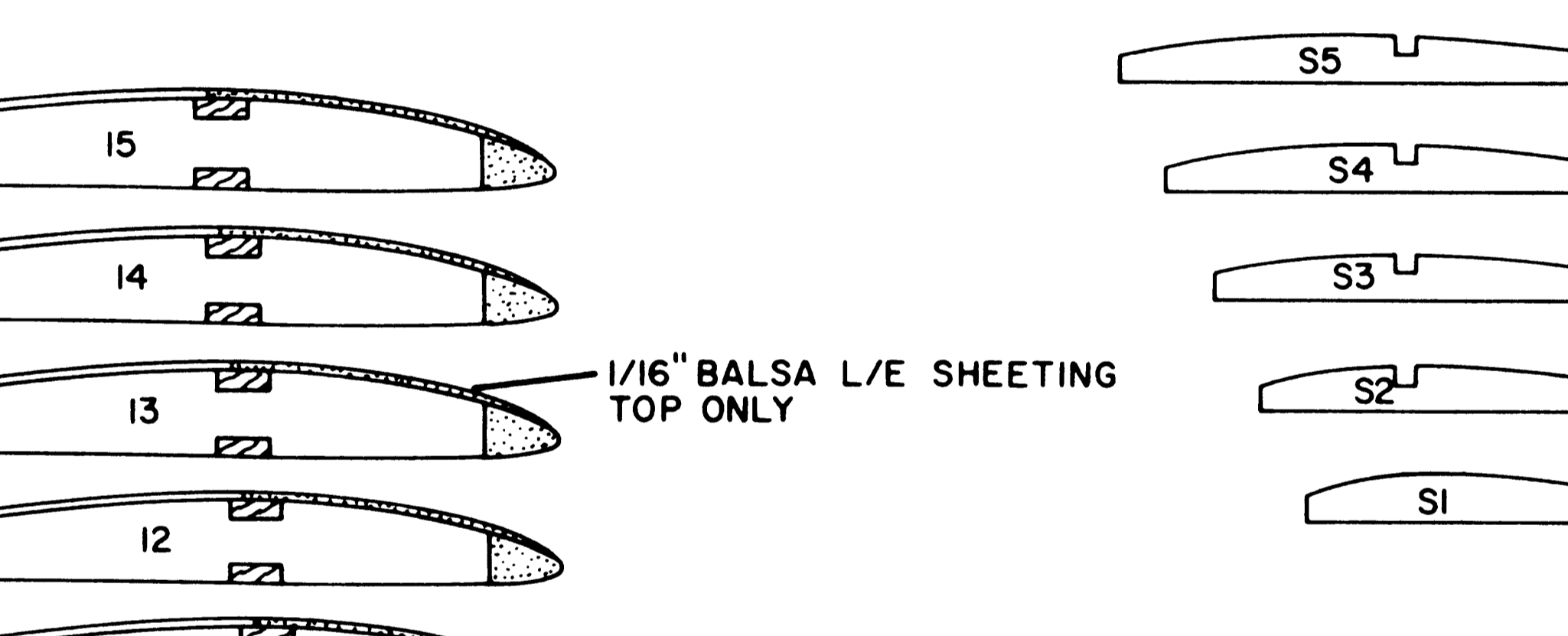
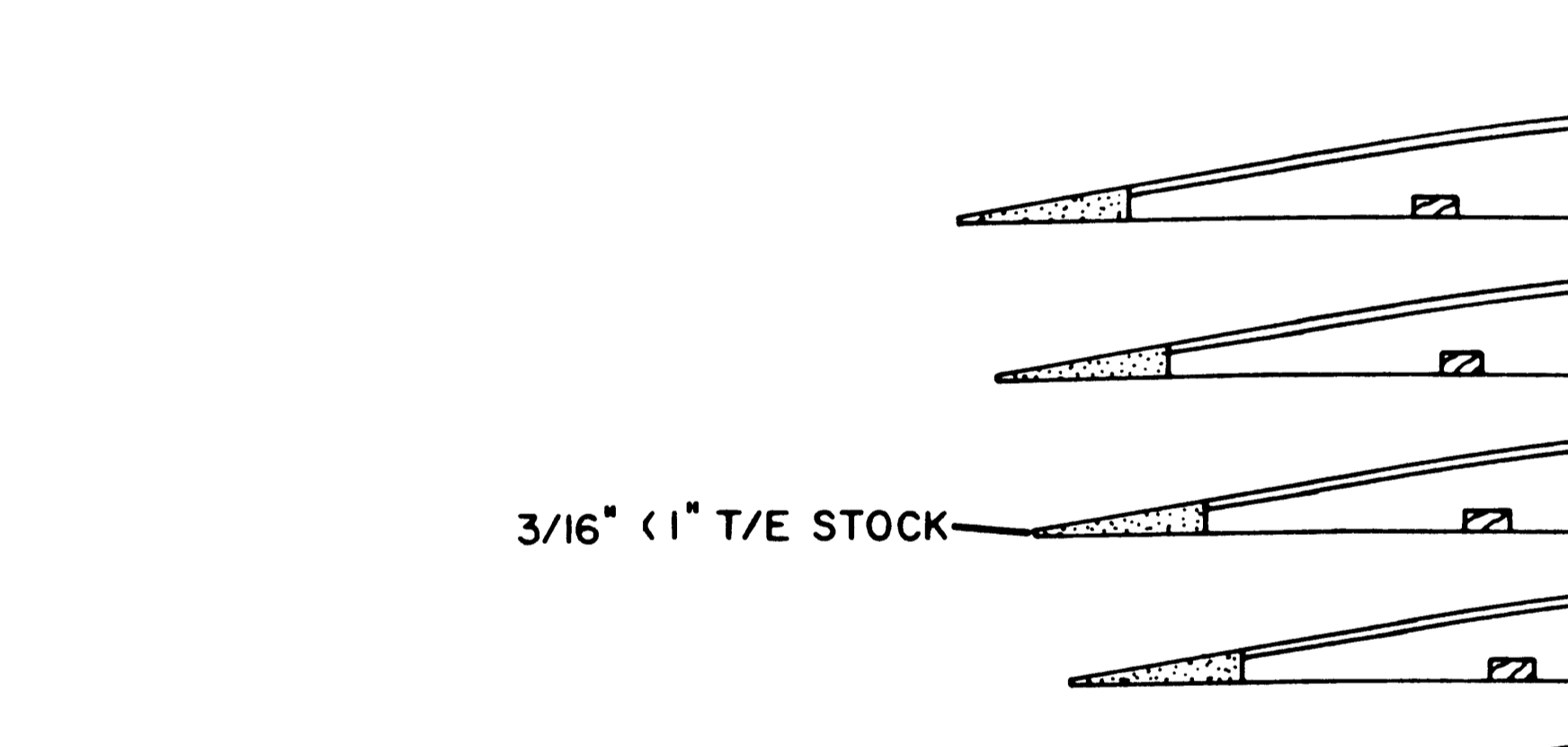
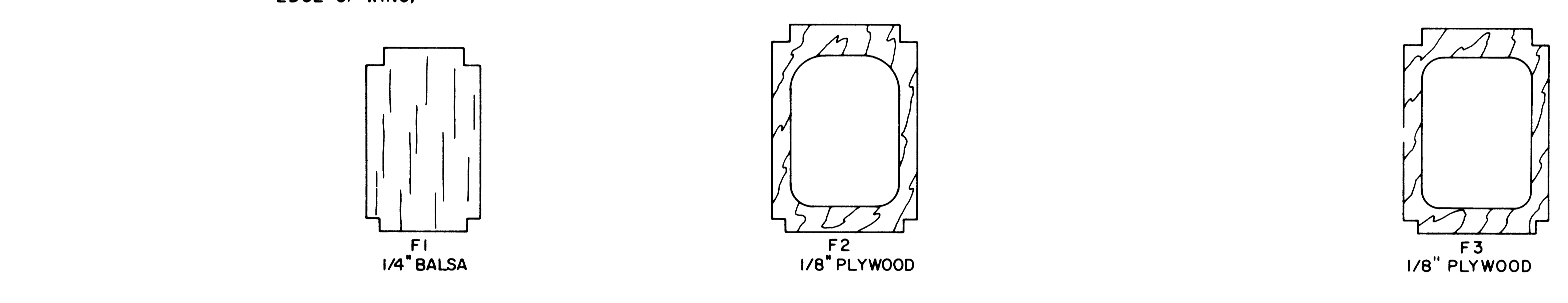
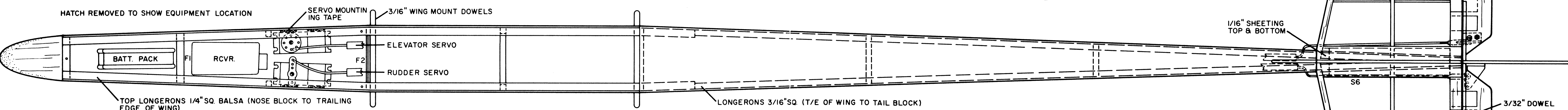
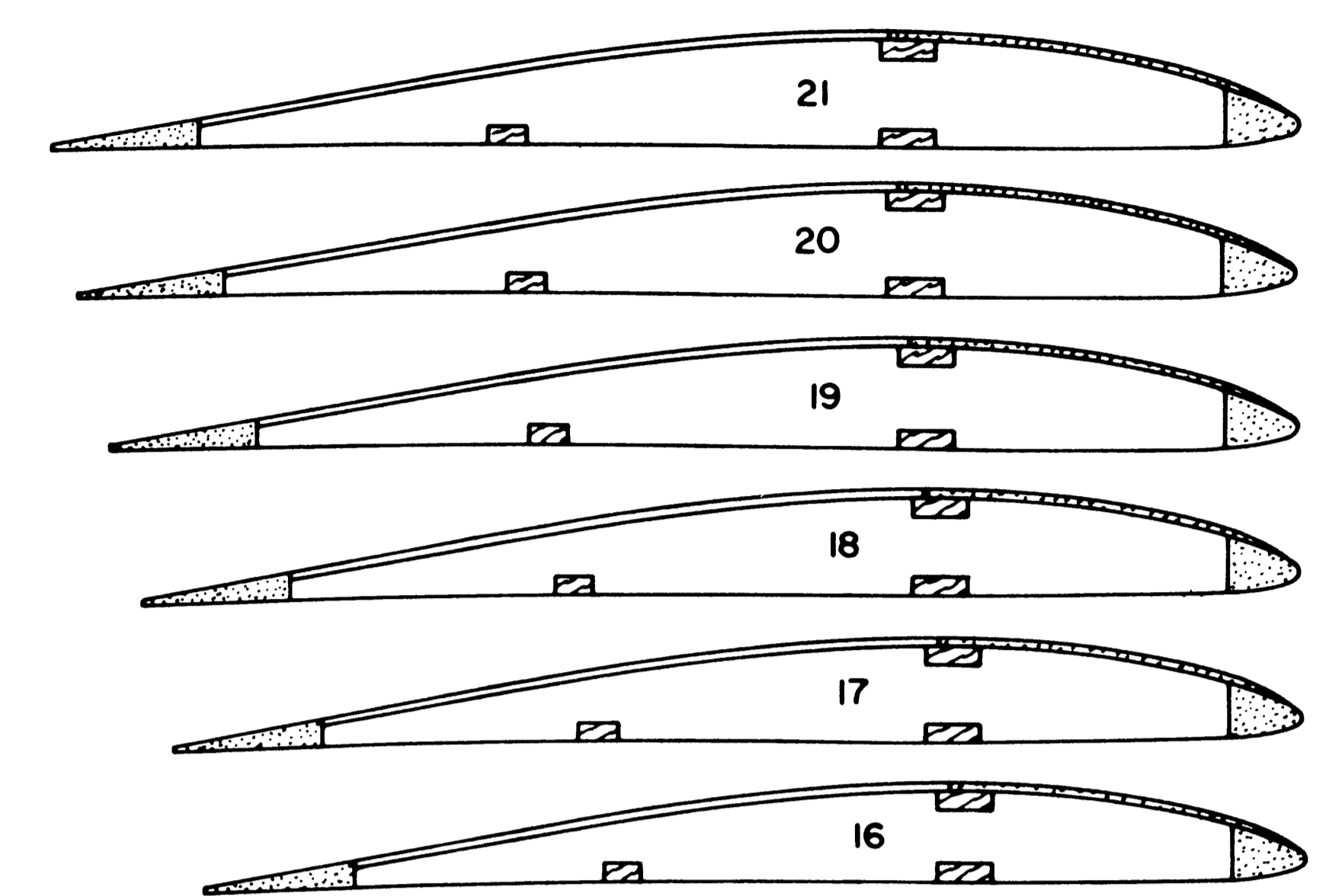
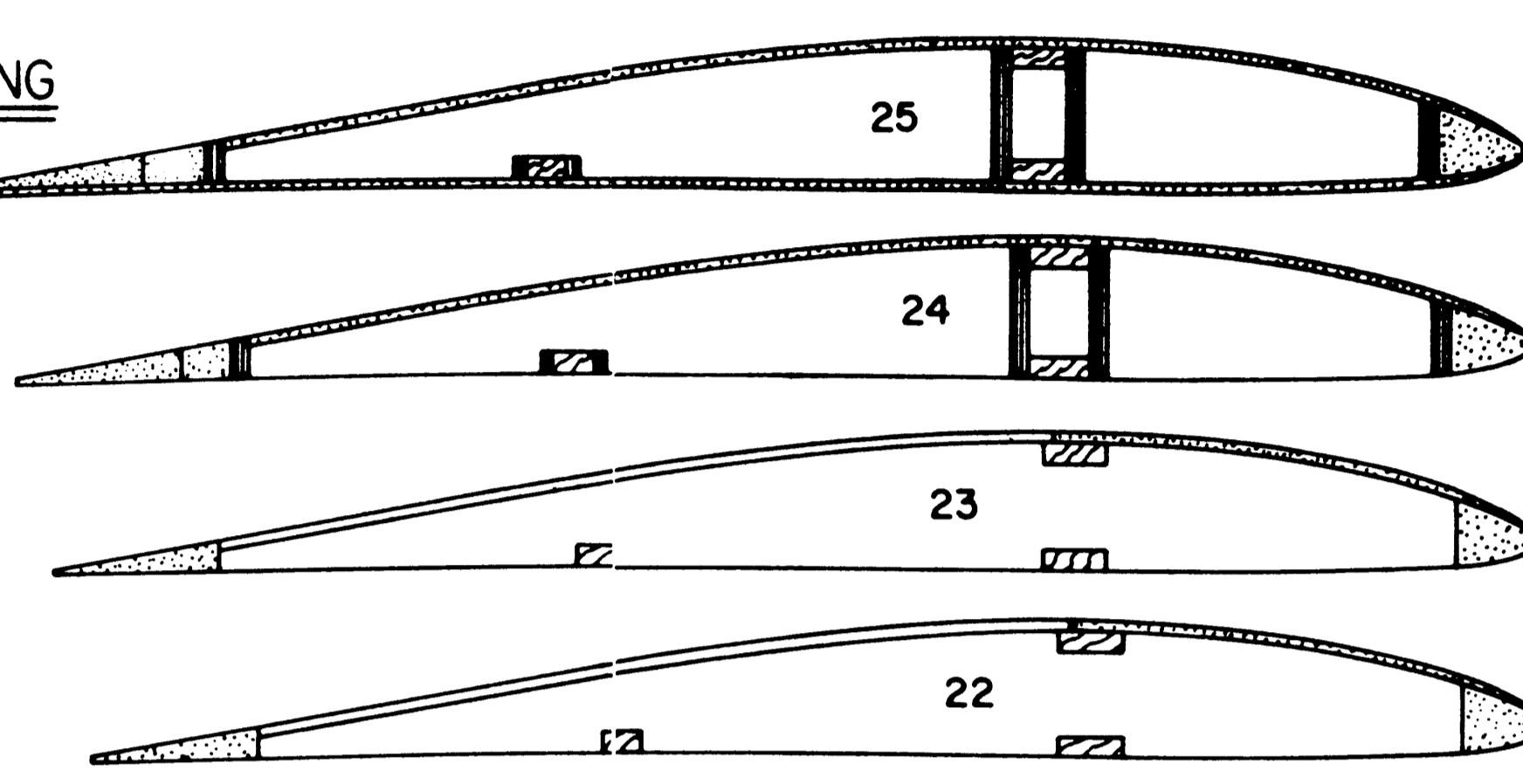
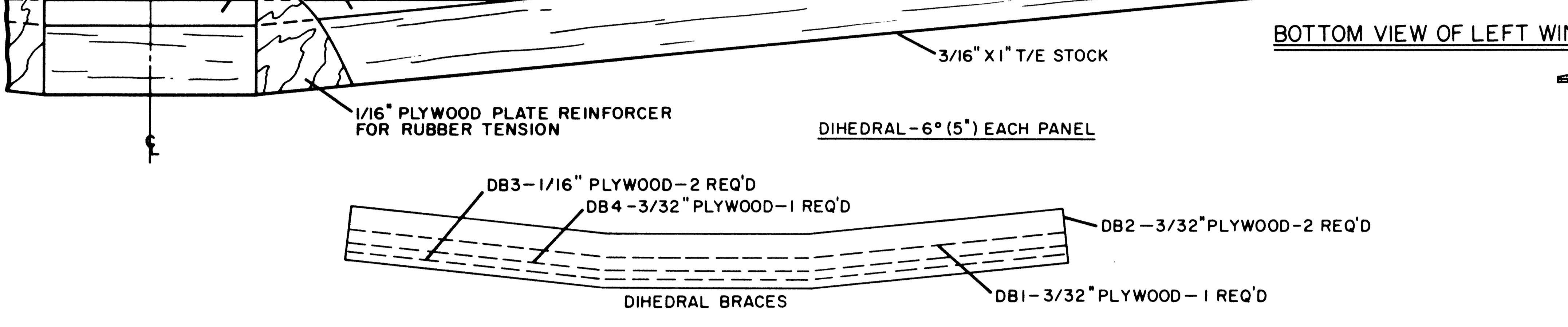
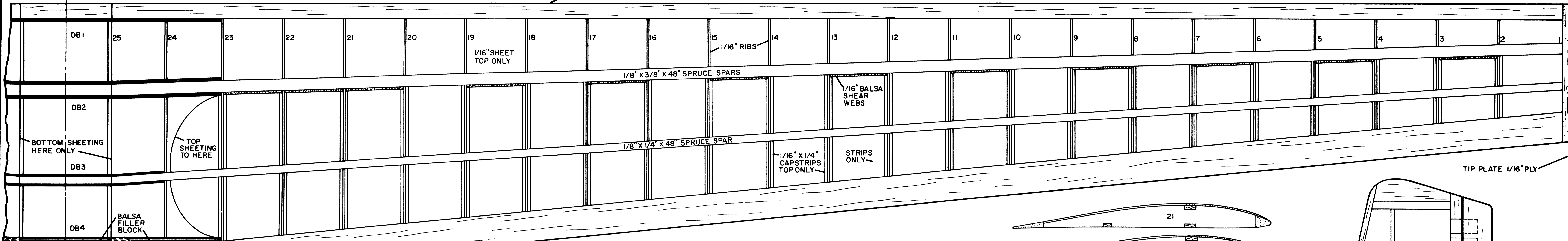


LEADING EDGE SHAPED FROM 1/2" SQ. X 48" Balsa - SEE RIB TEMPLATES FOR TAPER



Maxi Sailer logo and design information: DESIGNED BY KEN WILLARD, DRAWN BY DICK KIDD. Includes a scale bar from 0 to 6 inches.