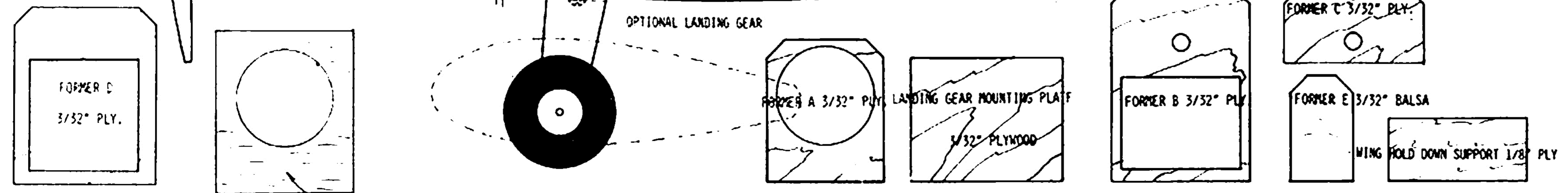
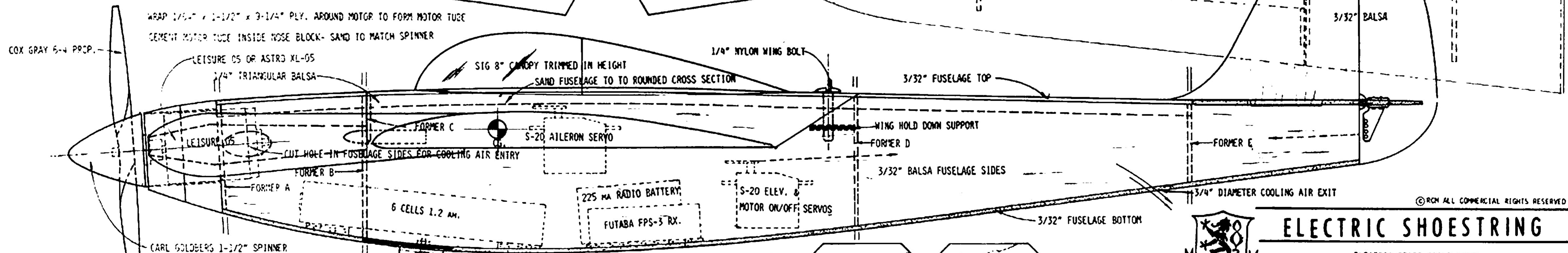
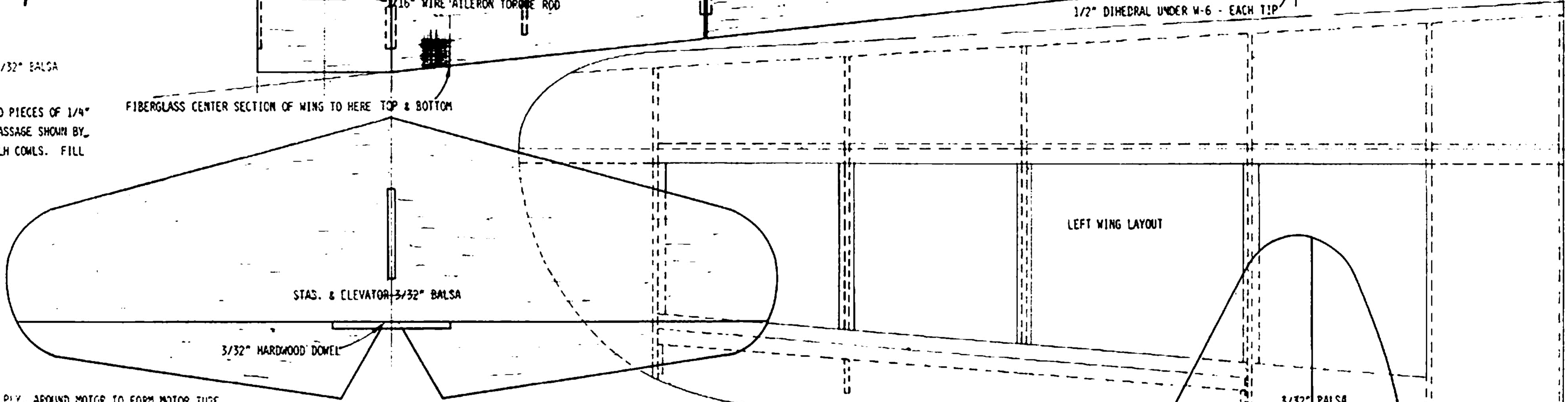


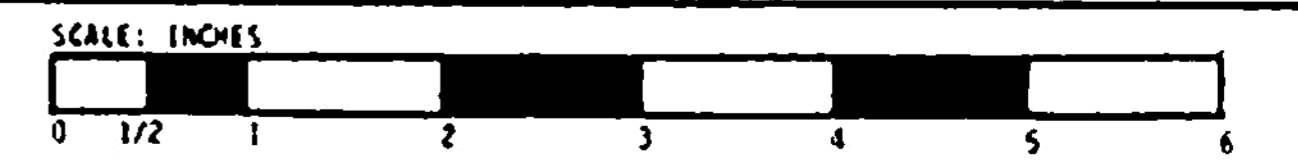
CHEEK COMB- CUT TWO PIECES 1/16" TO COMB SHAPE. CUT TWO PIECES OF 1/4" Balsa TO COMB SHAPE REMOVING TO AIR FLOW PASSAGE SHOWN BY THE DOTTED LINES. LAMINATE TO FORM RH AND LH COMBS. FILL IN VOID IN HOSE AREA WITH SCRAP Balsa.

FIBERGLASS CENTER SECTION OF WING TO HERE TOP & BOTTOM



ELECTRIC SHOESTRING
ELECTRIC SPORT SCALE MODEL

DESIGNED AND DRAWN BY JIM ZAREMSKI
WING SPAN 37-1/4"
WING AREA 250 SQ. IN.
WEIGHT RTF 32 OZ.
WING LOADING 19 OZ./SQ. FT.
MOTOR 05 WITH 6 CELLS 1.2 AM.



© 1981 ALL COMMERCIAL RIGHTS RESERVED