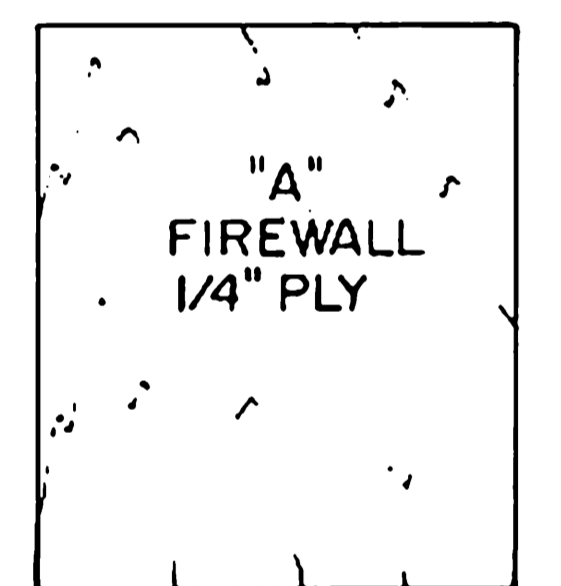
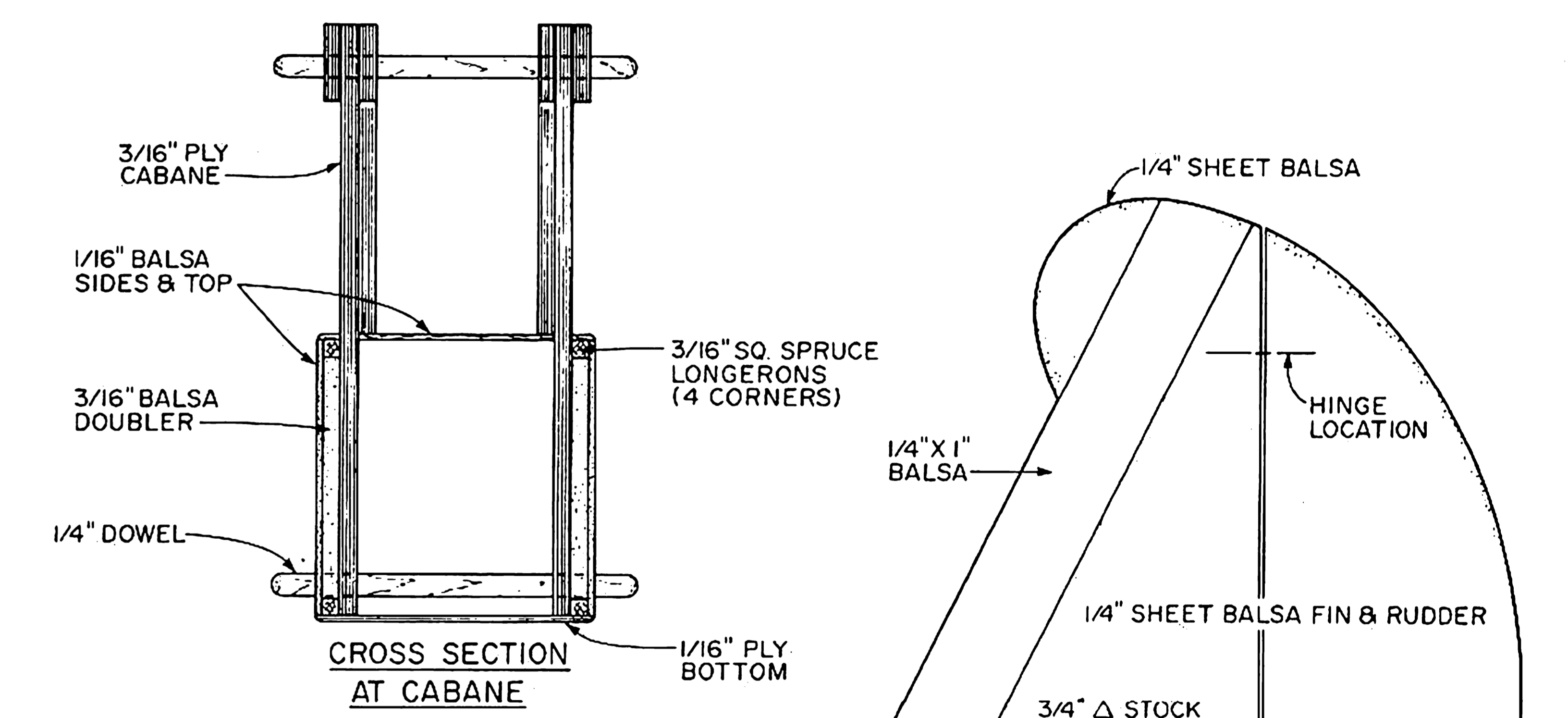
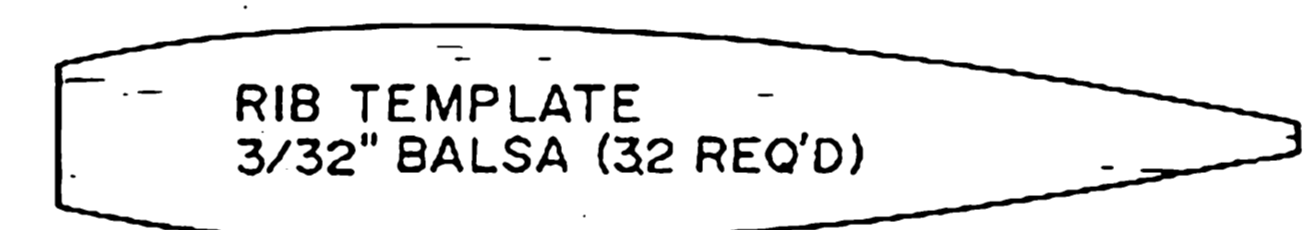
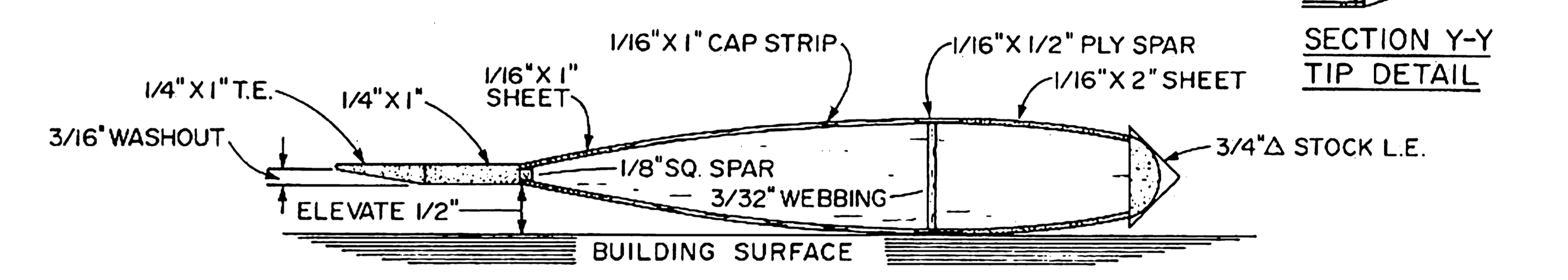
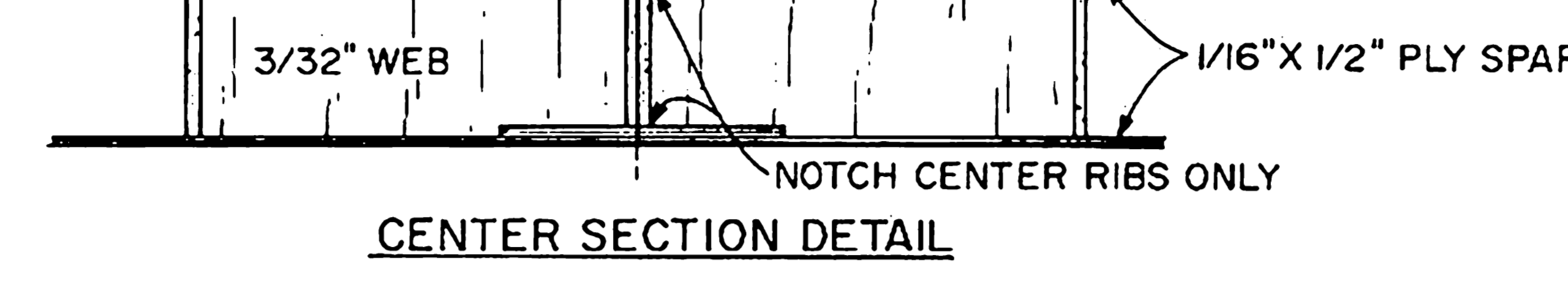
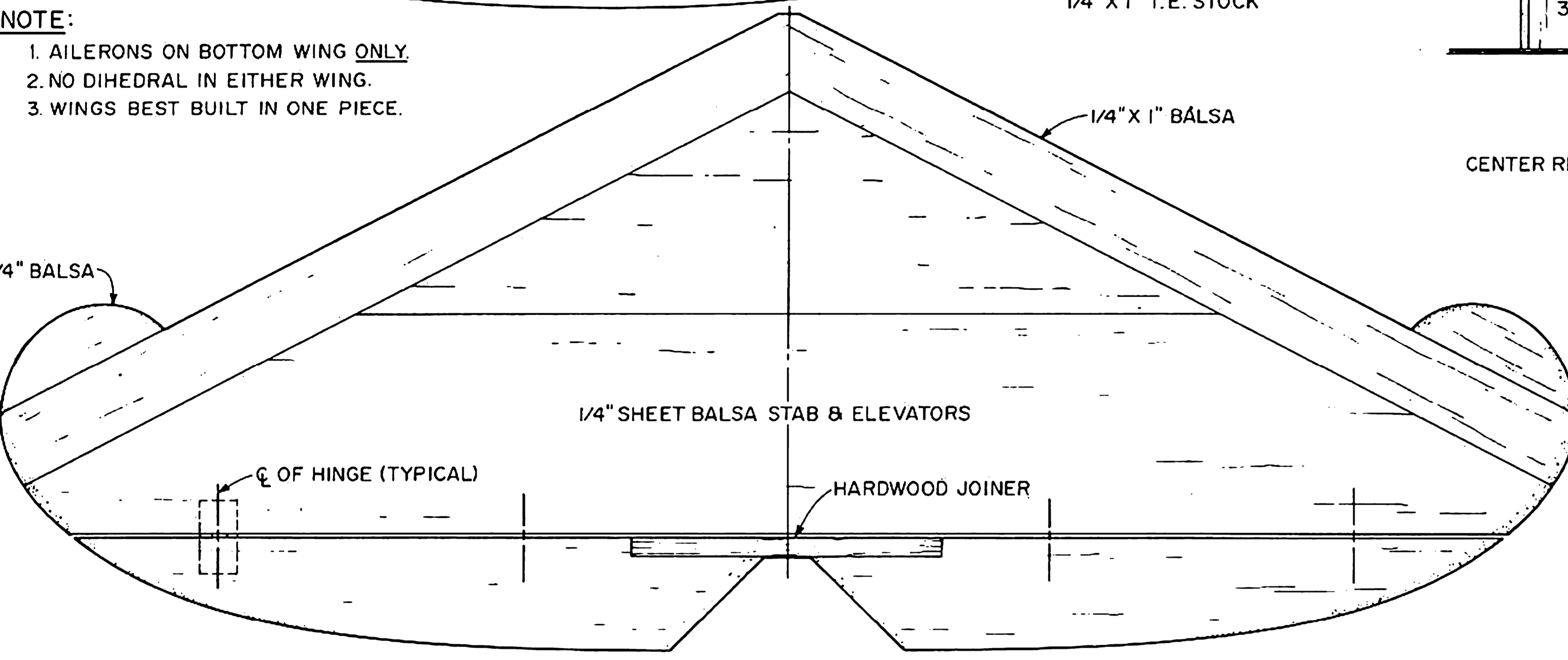
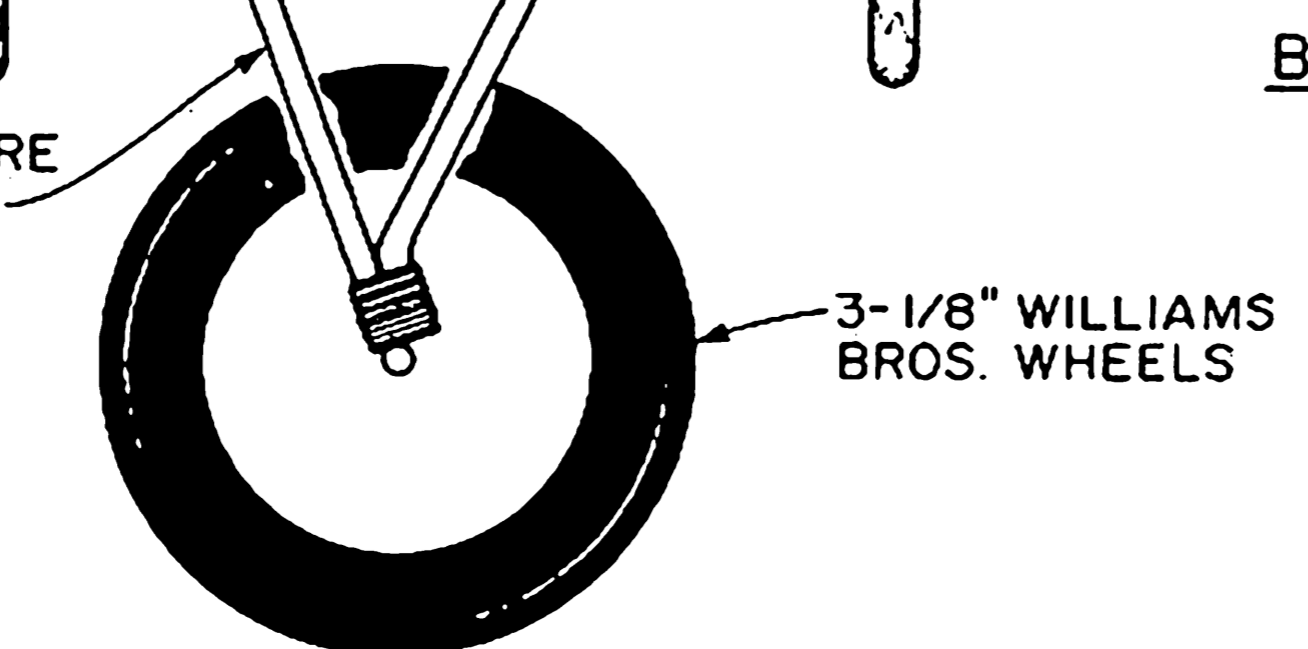
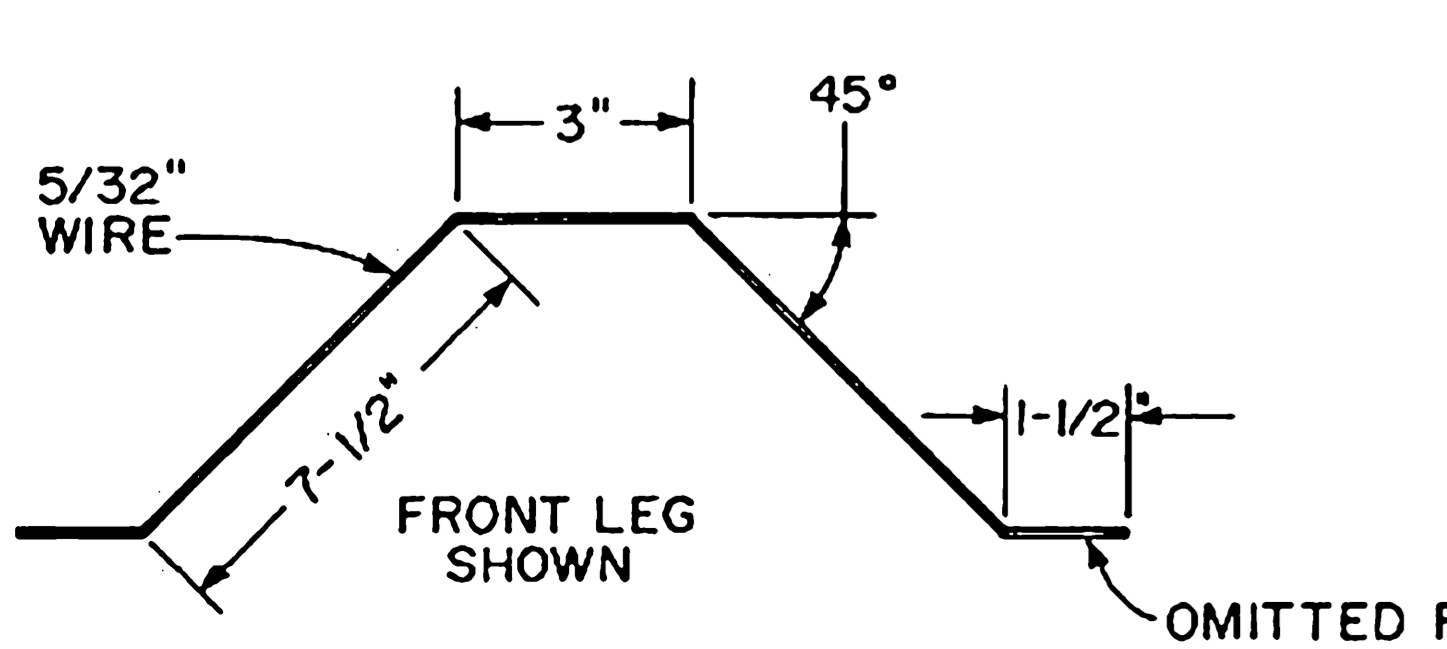
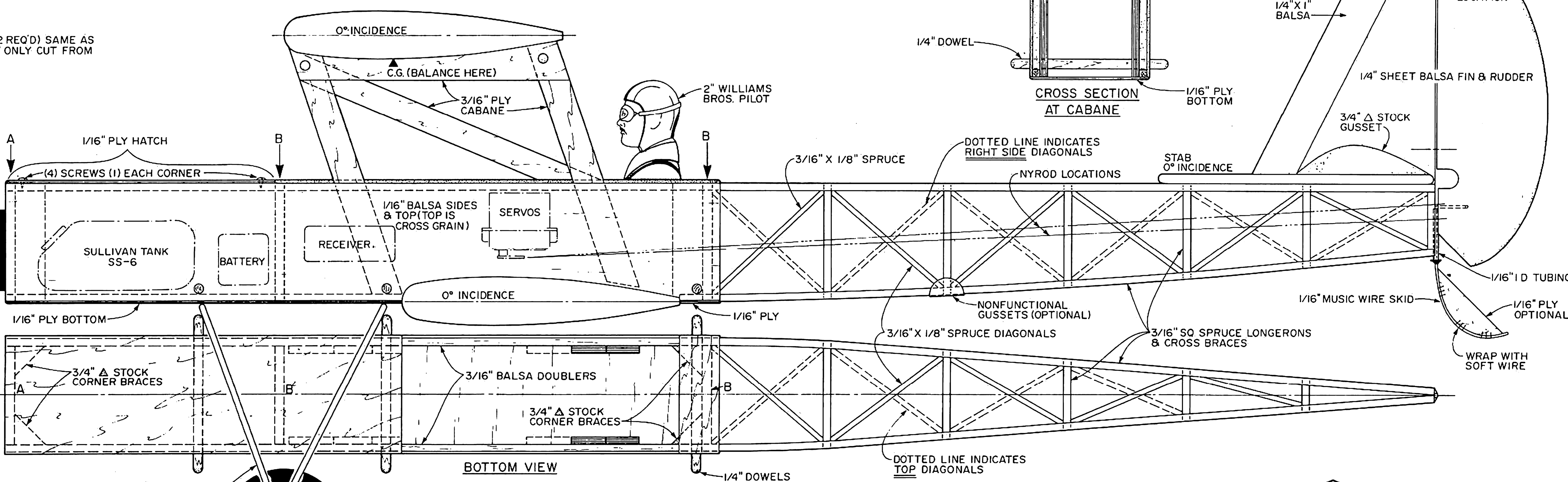
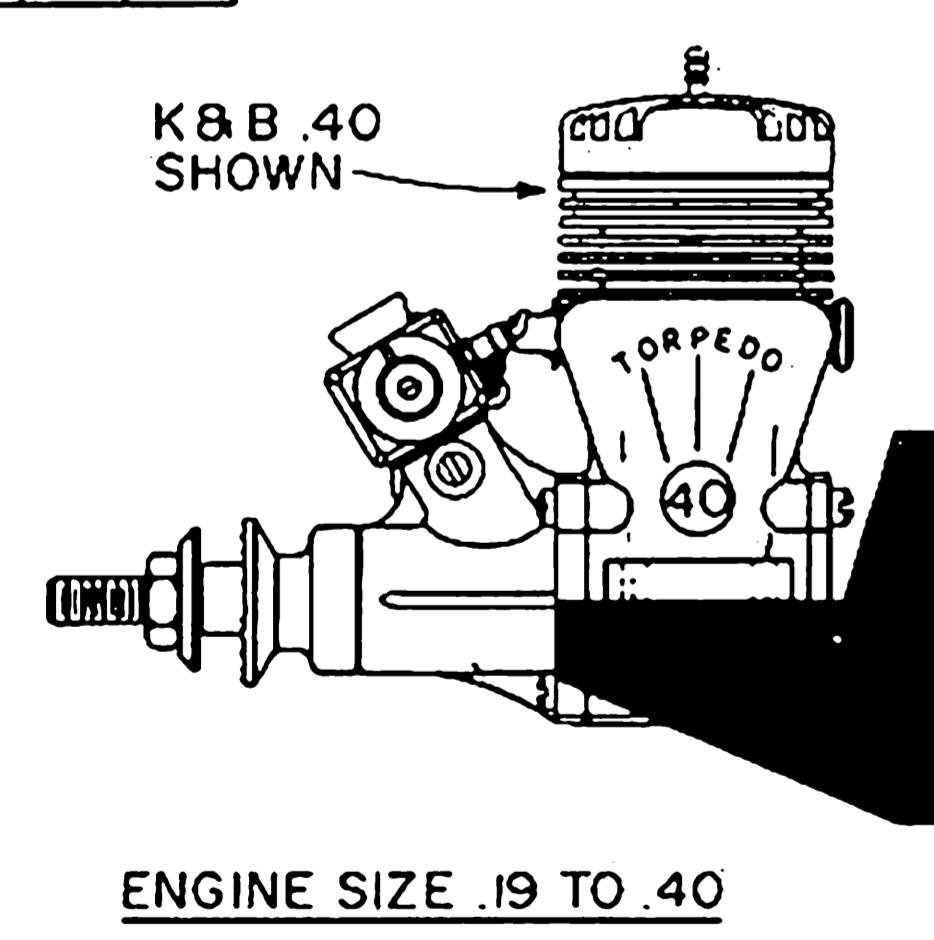


**NOTE:**  
 1. AILERONS ON BOTTOM WING ONLY  
 2. NO DIHEDRAL IN EITHER WING.  
 3. WINGS BEST BUILT IN ONE PIECE.



**NOTE:** FORMER "B" (2 REQ'D) SAME AS FIREWALL "A" ONLY CUT FROM 1/4" BALSA



**IMPORTANT**  
 AILERON MOVEMENT 3/8" TO 5/8" EACH DIRECTION  
 ELEVATOR MOVEMENT 3/8" EACH DIRECTION

© RCM ALL COMMERCIAL RIGHTS RESERVED  
**EARLY BIRD**  
 DESIGNED BY HOBBIE STEELE  
 DRAWN BY J. CHAPIS  
 INKED BY DICK KIDD  
**PLAN 675**  
 0 1 2 3 4 5 6