

RIGHT TAIL BOOM
 SEE TEXT, PHOTOS & DETAIL ABOVE FOR TAIL BOOM CONST. TOP VIEW IS SEEN ON SHEET 2

SPECIFICATIONS

TYPE	SPORT DUCTED FAN
WING SPAN	62"
WING CHORD	11" (APPROX. AVERAGE)
WING AREA	682 SQ. IN.
DIHEDRAL	3/4" AT EACH TIP
O. A. LENGTH	54-1/4"
STAB SPAN	22-1/2"
STAB CHORD	6-1/4"
STAB AREA	140.6"
ENGINE	.75 - .90 TWO CYCLE BYRON DUCTED FAN
FUEL TANK	24 OZ.
WEIGHT RT.F.	11 LBS.
WING LOADING	37.1 OZ./SQ. FT.

DESIGNED & DRAWN BY GIANCARLO GENTA
 PLANS BY JOE DEMARCO

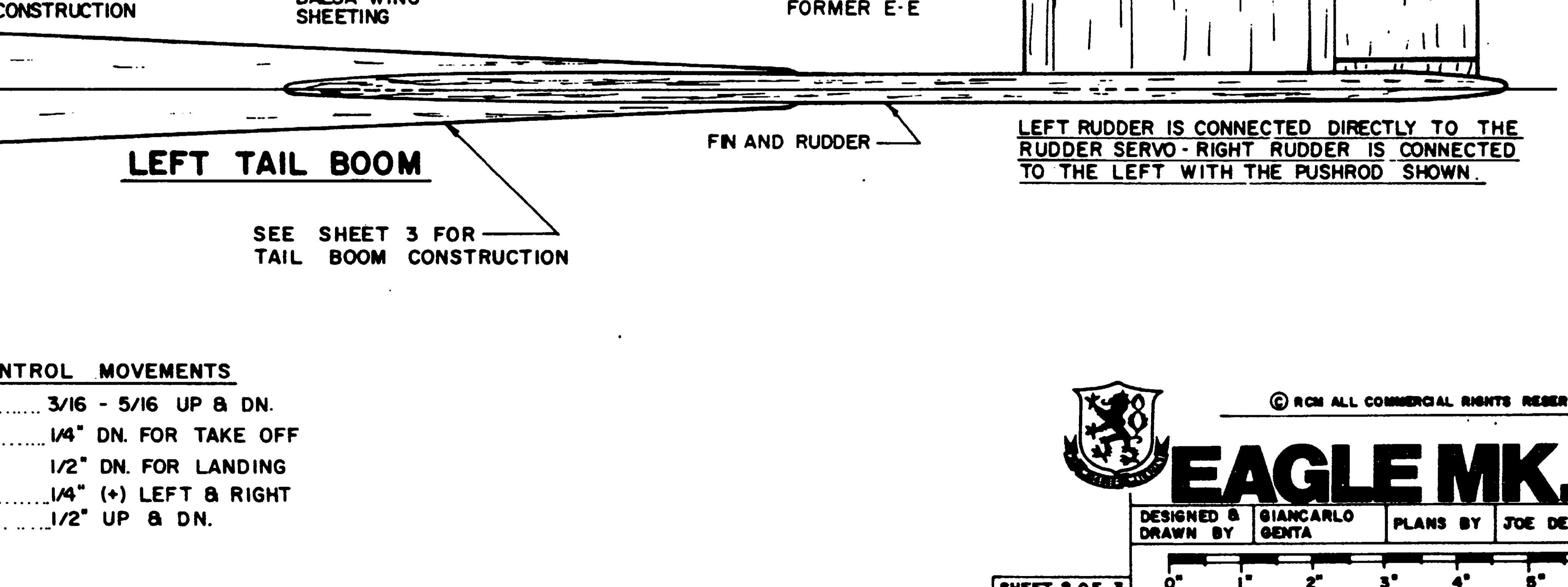
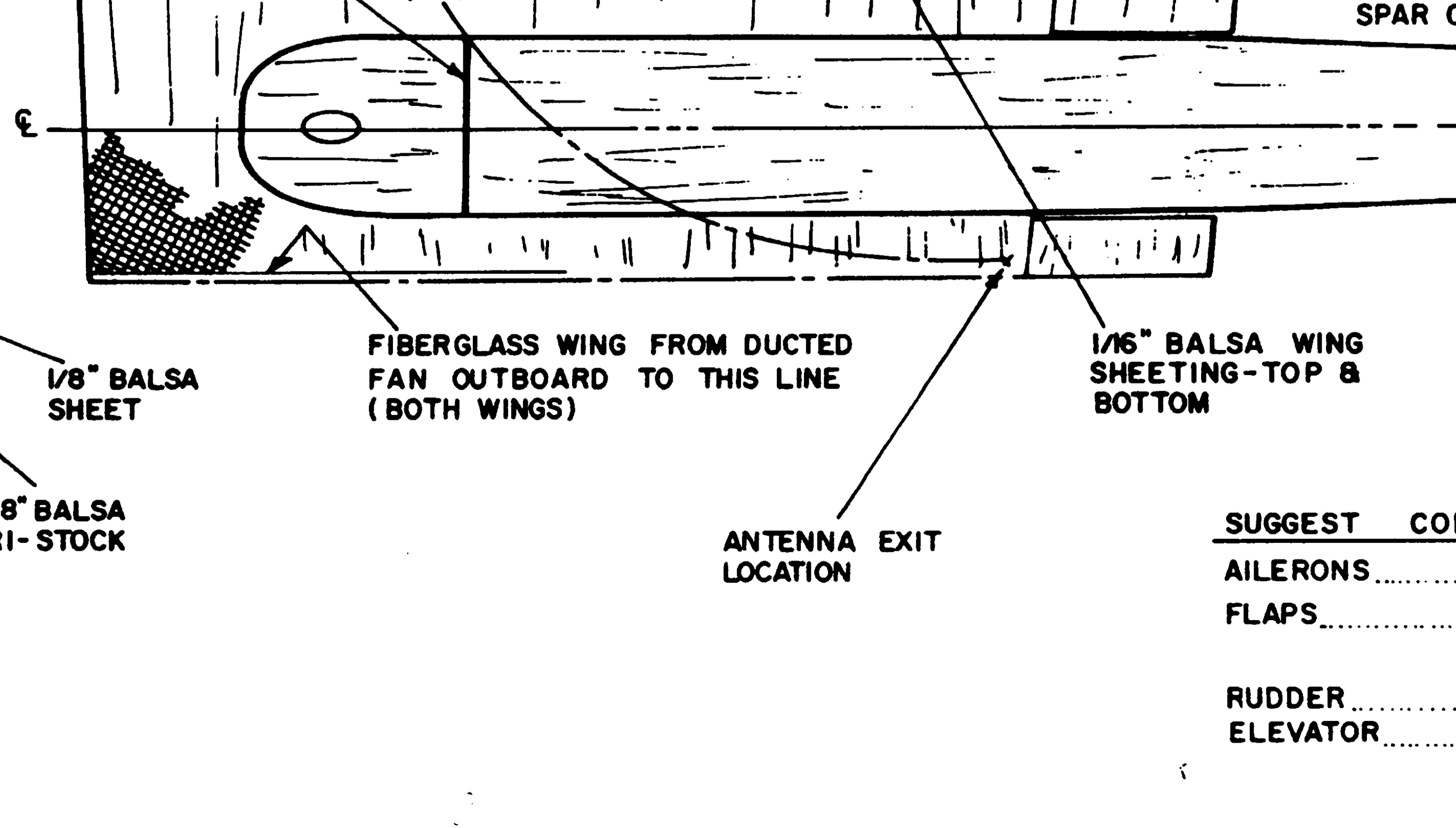
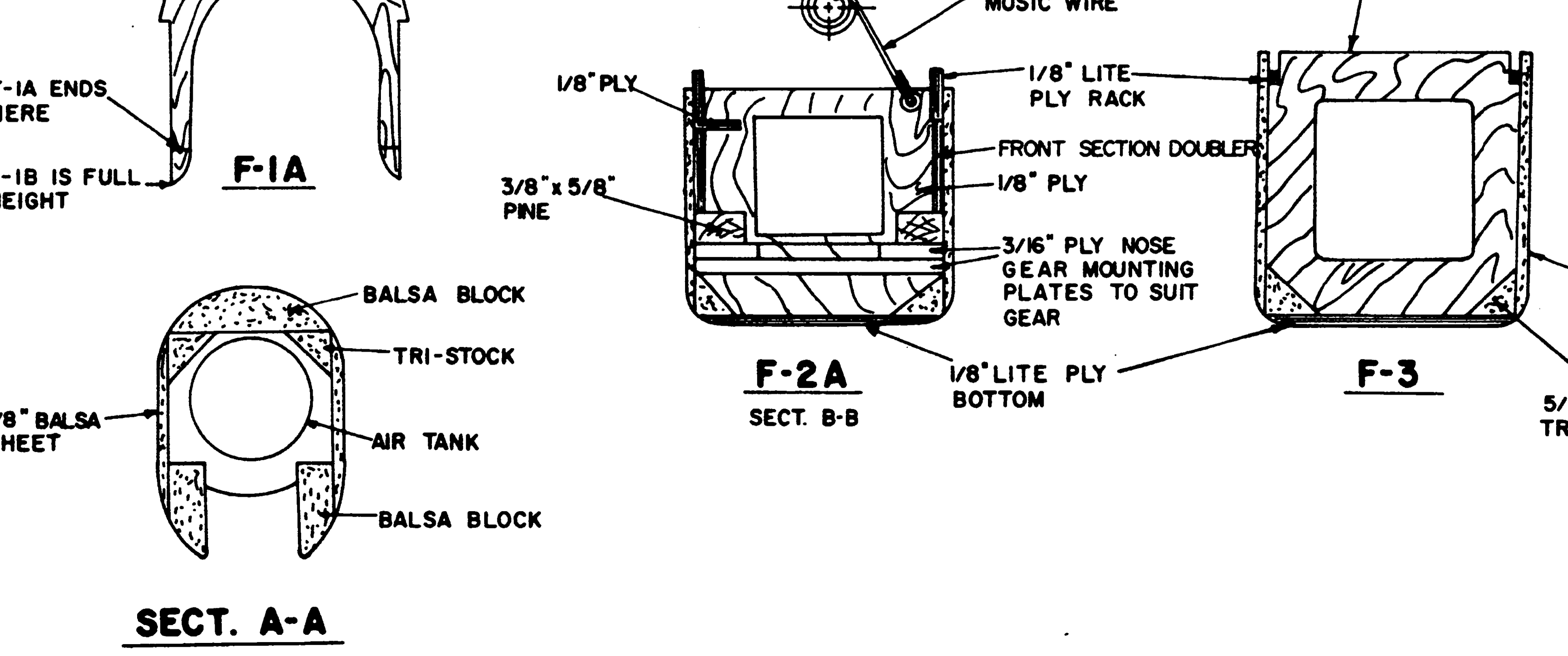
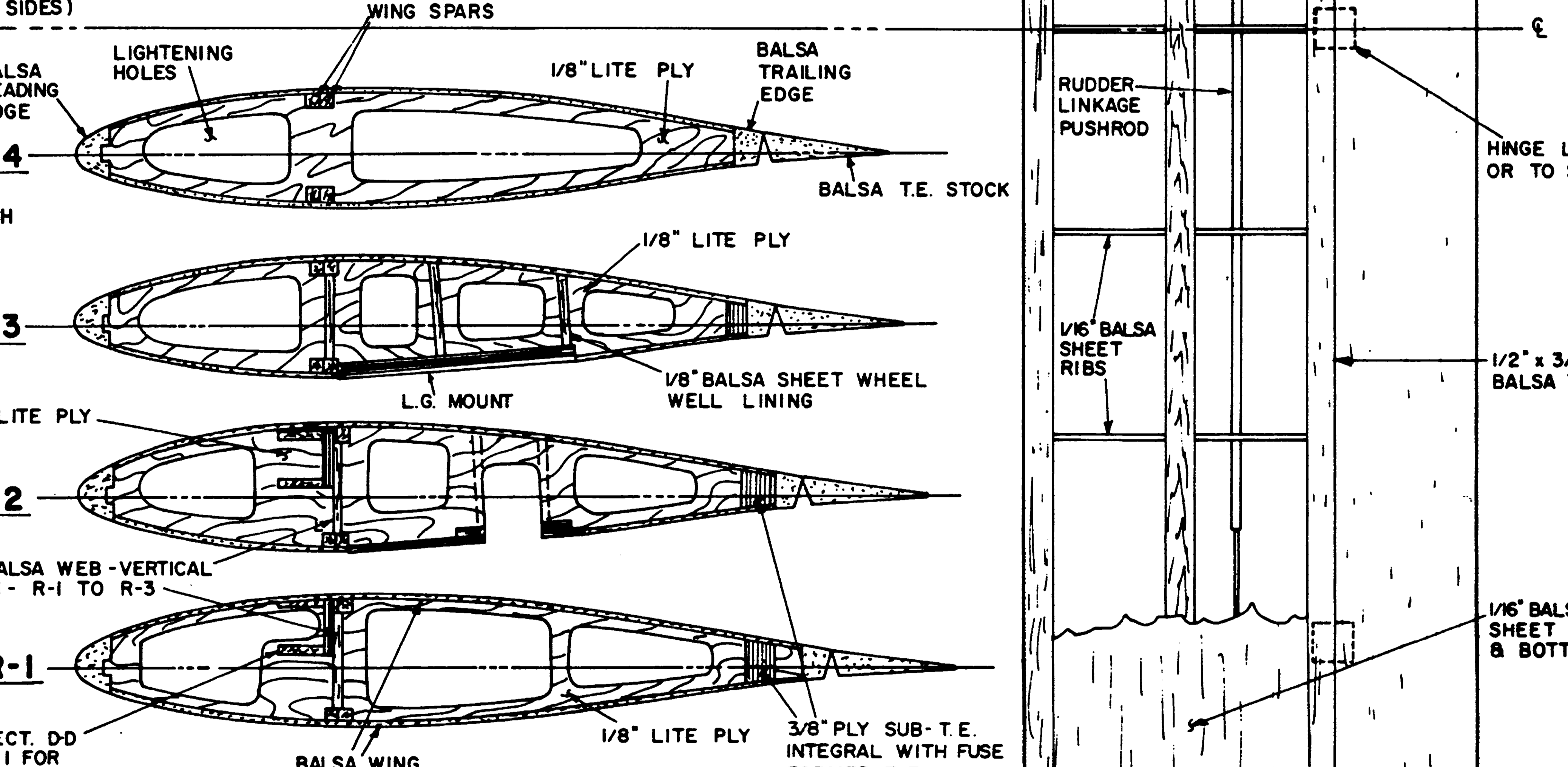
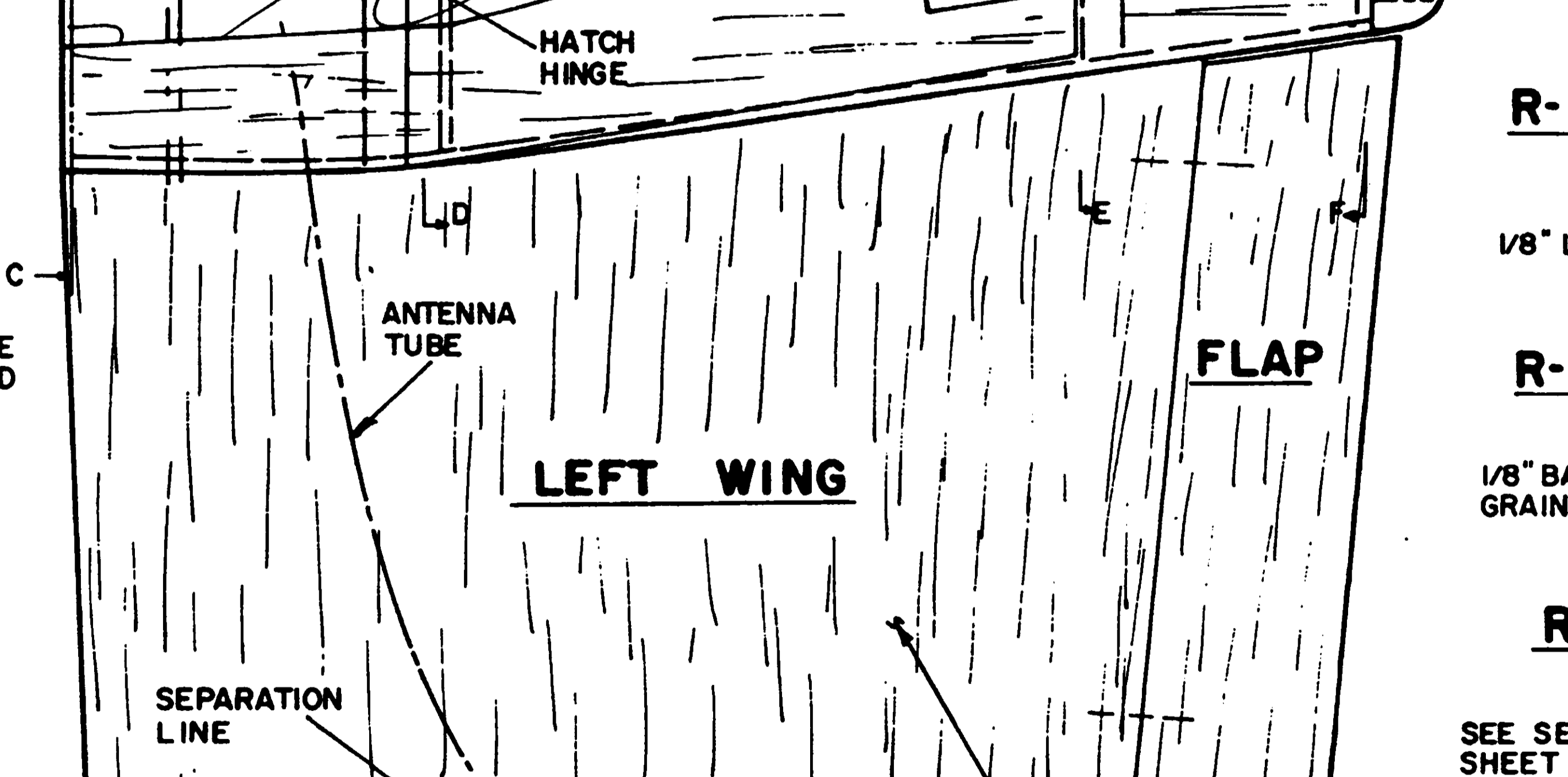
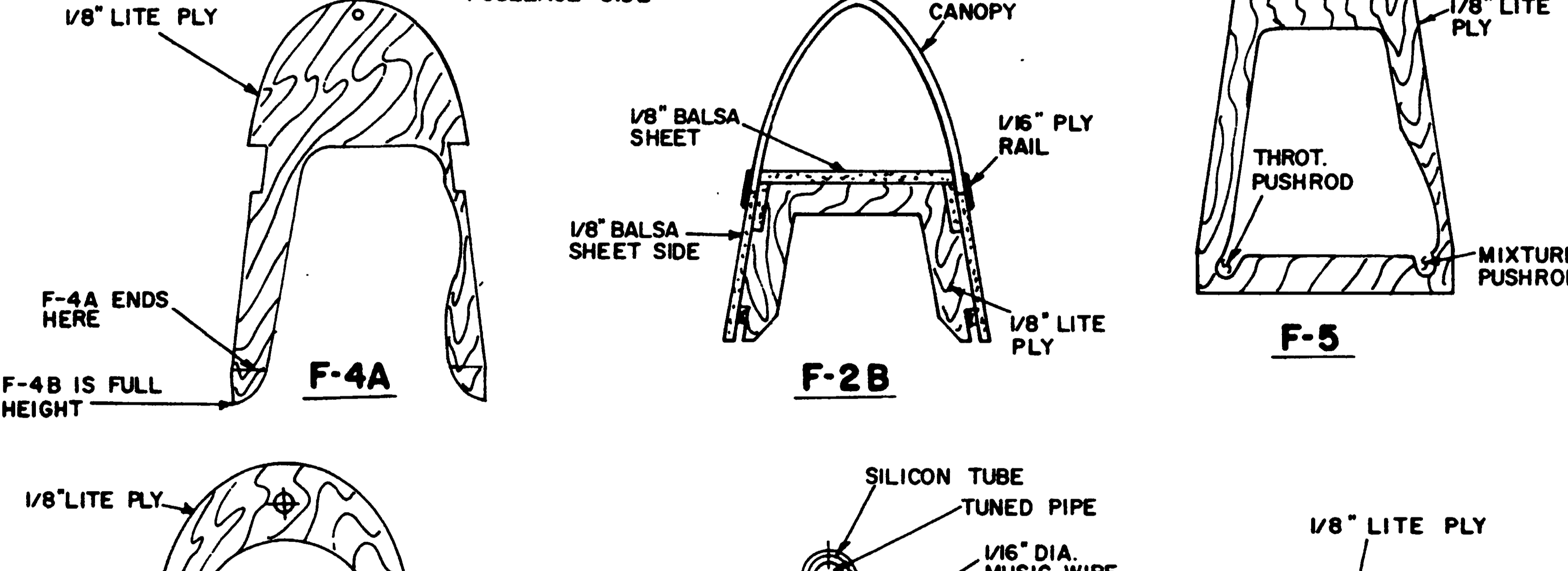
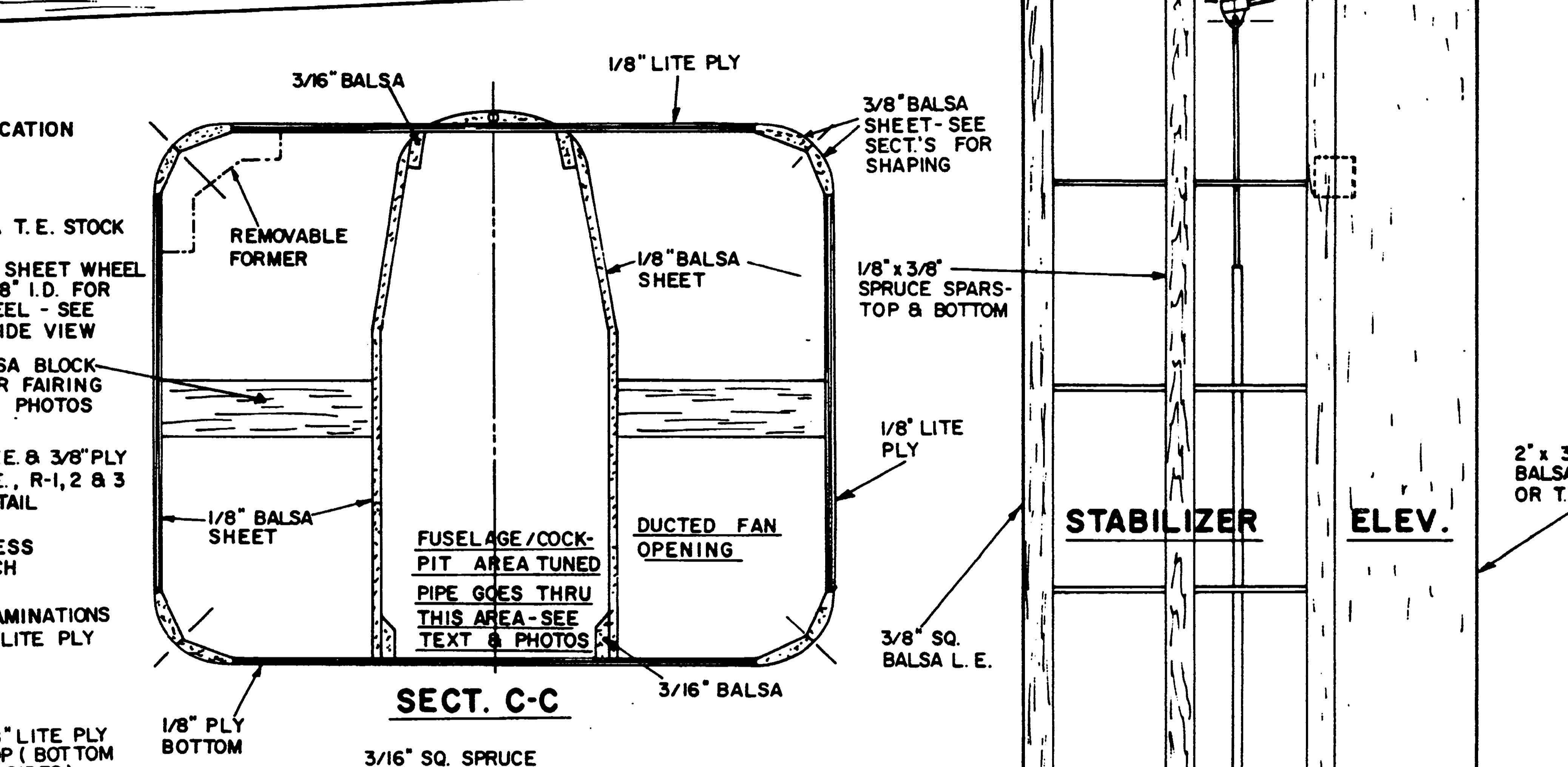
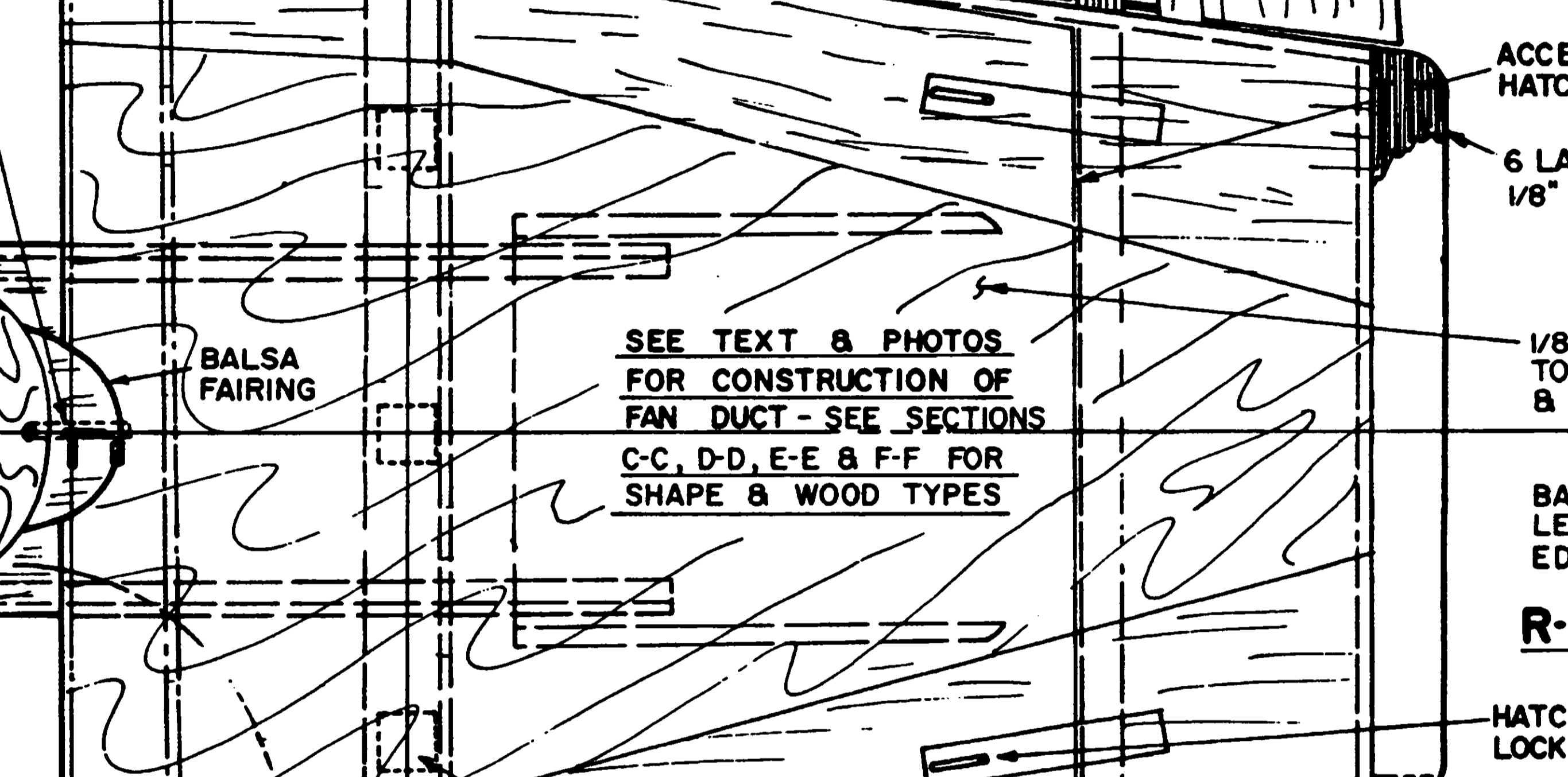
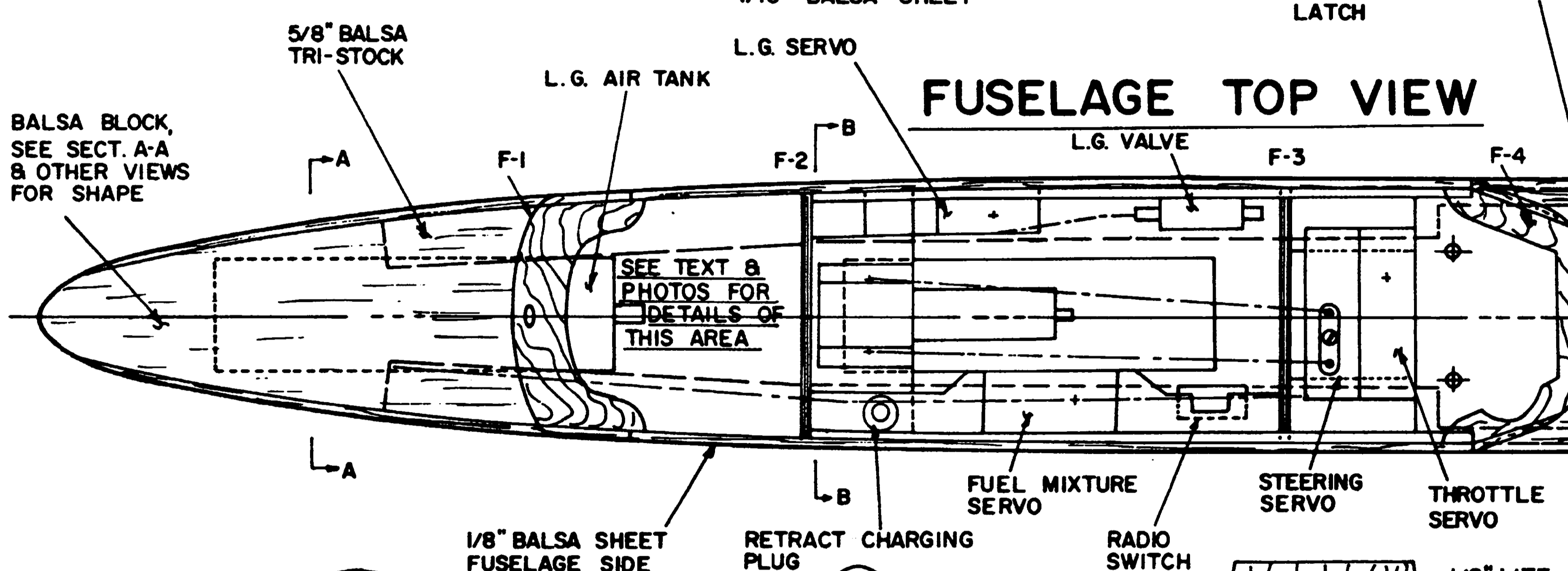
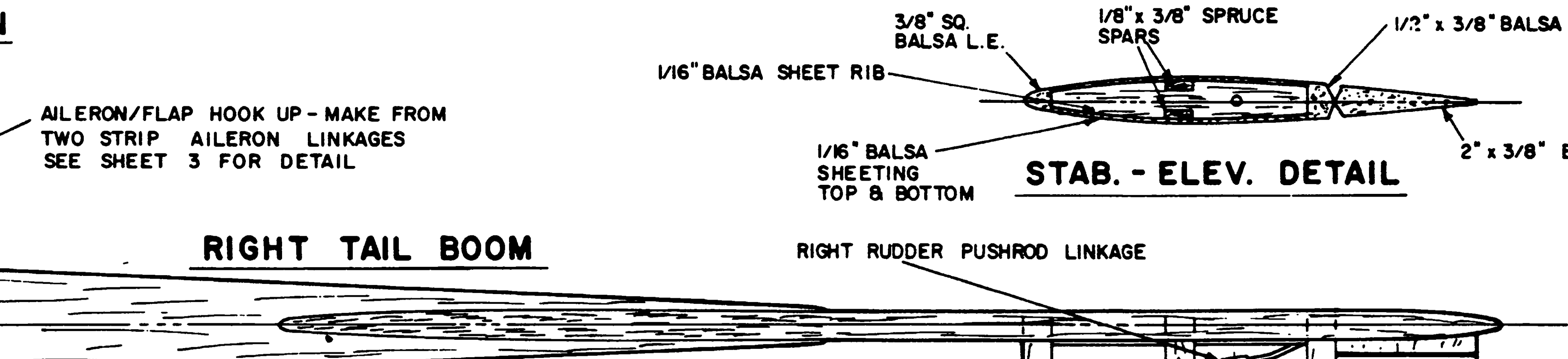
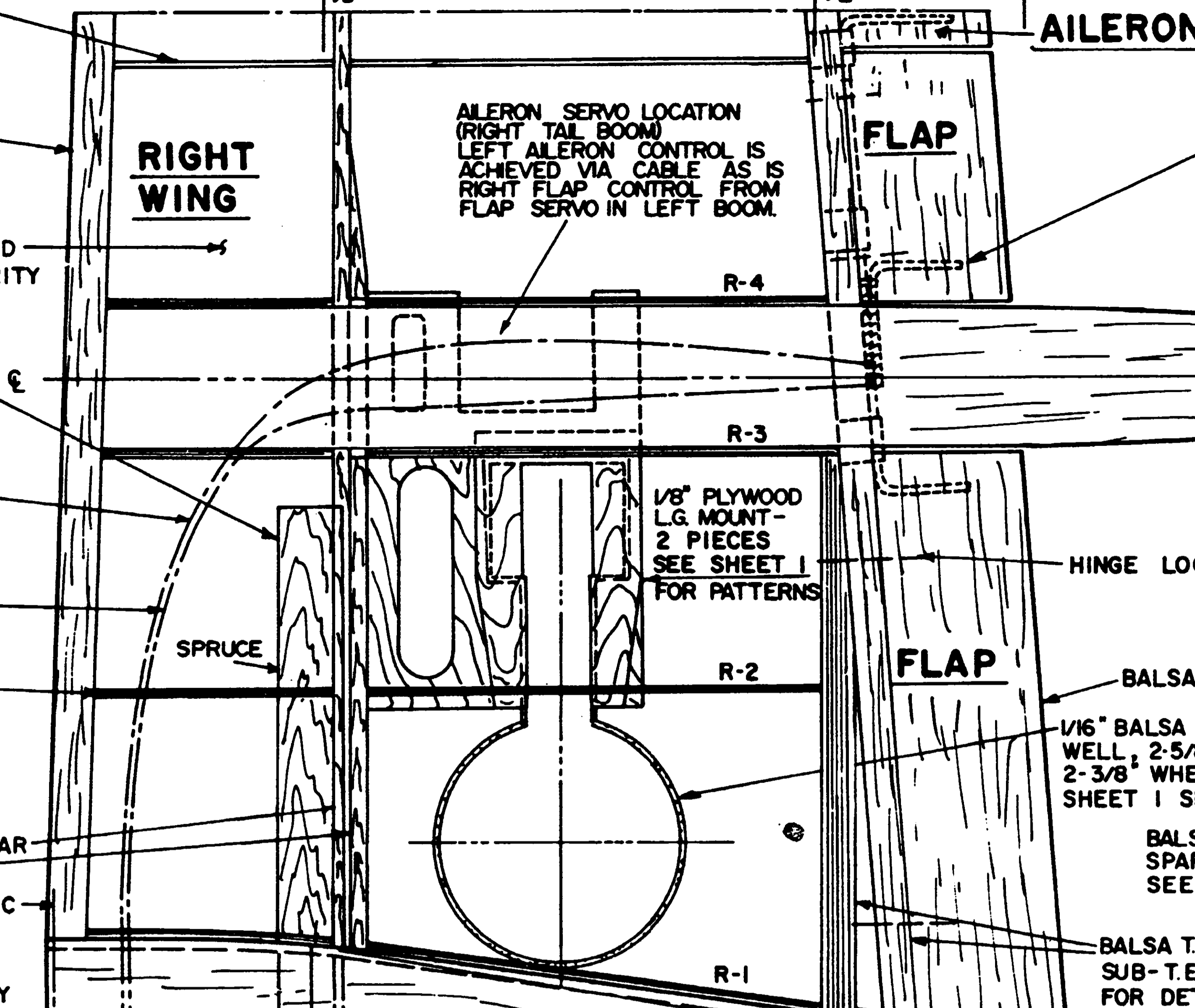
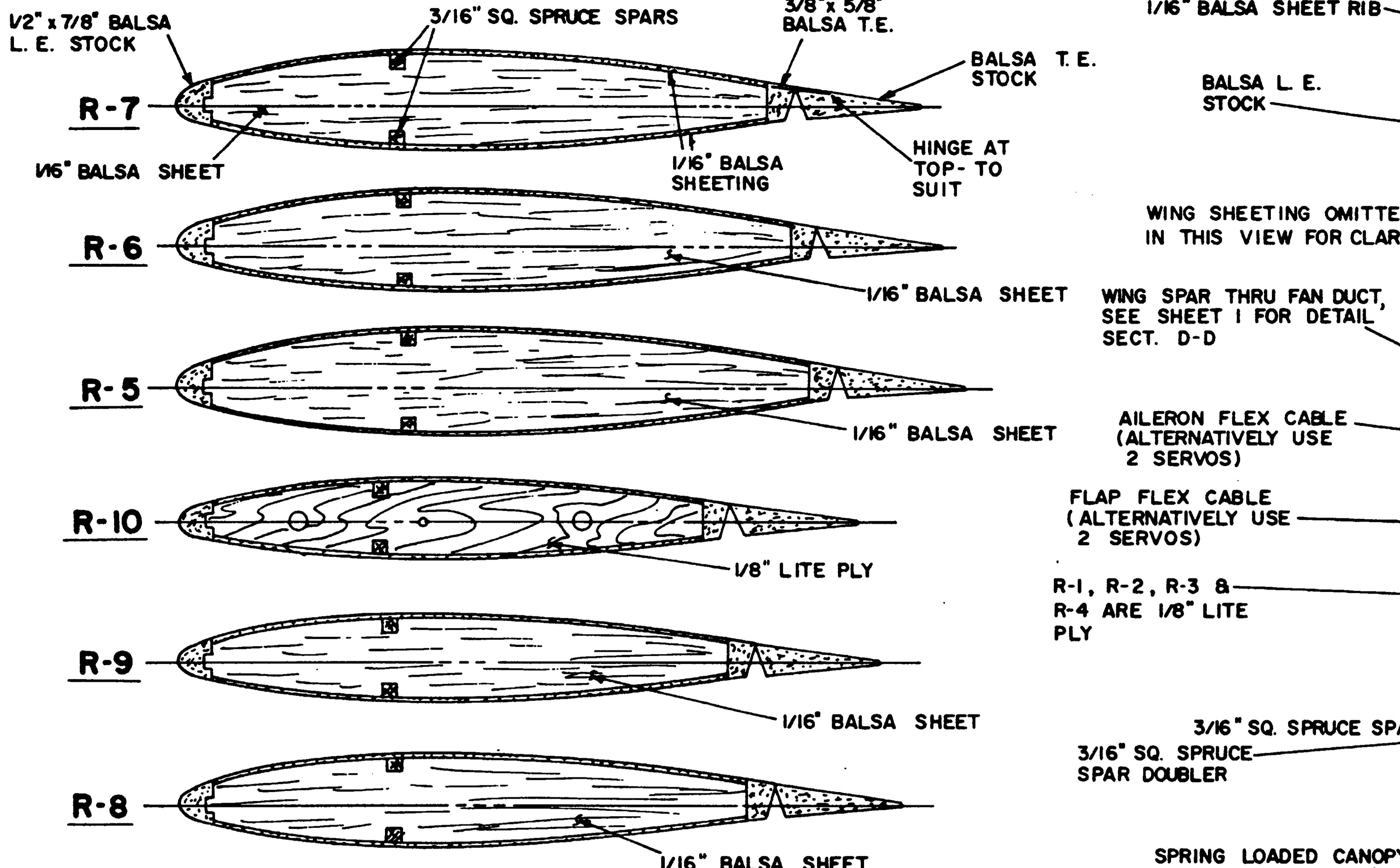
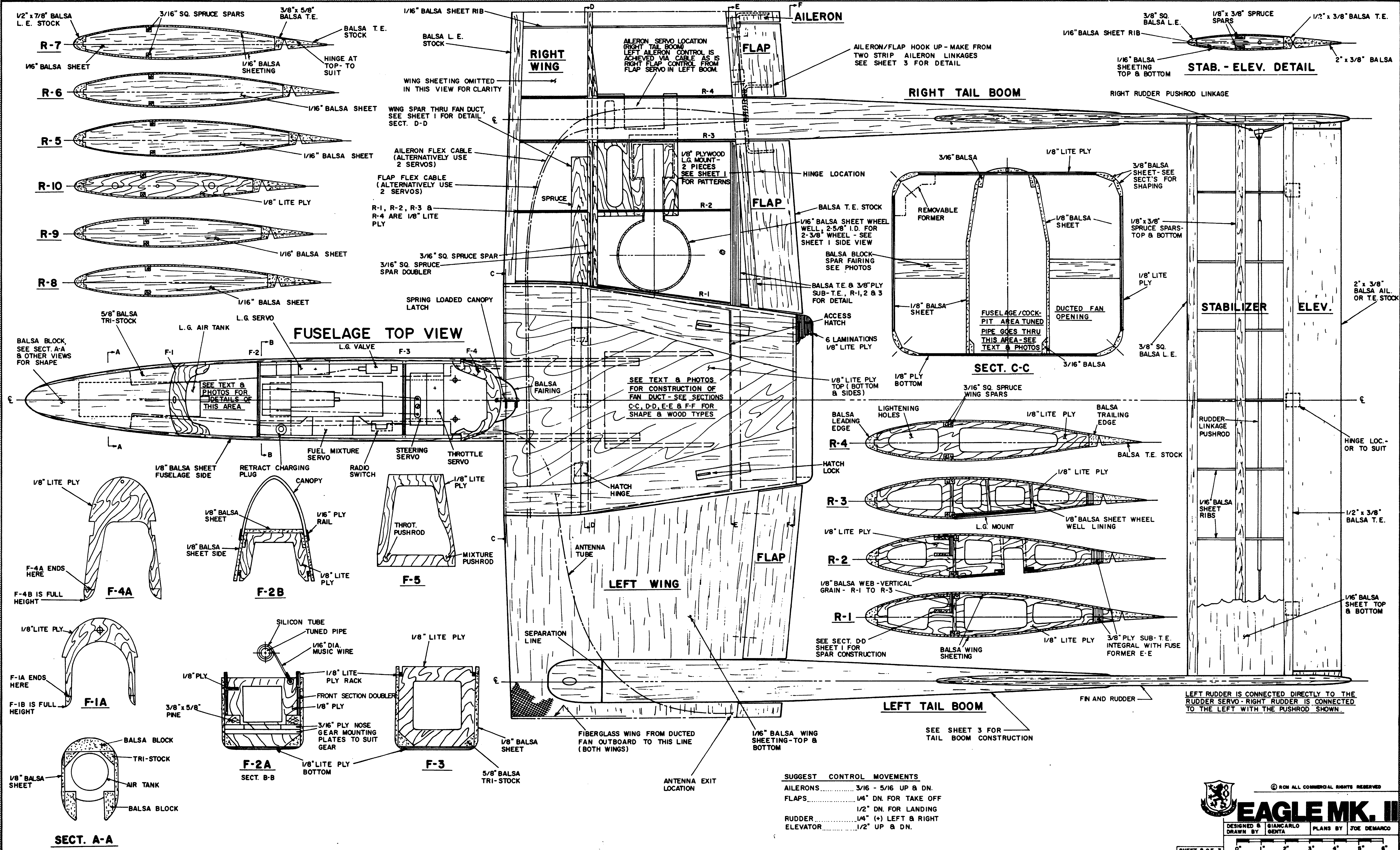
EAGLE MK. II

© RCM ALL COMMERCIAL RIGHTS RESERVED

SCALE: 0" 1" 2" 3" 4" 5" 6"

SHEET 1 OF 3

PLAN NO. 1159 3



SUGGEST CONTROL MOVEMENTS

AILERONS	3/16 - 5/16 UP & DN.
FLAPS	1/4" DN. FOR TAKE OFF
RUDDER	1/2" DN. FOR LANDING
ELEVATOR	1/4" (+) LEFT & RIGHT
	1/2" UP & DN.

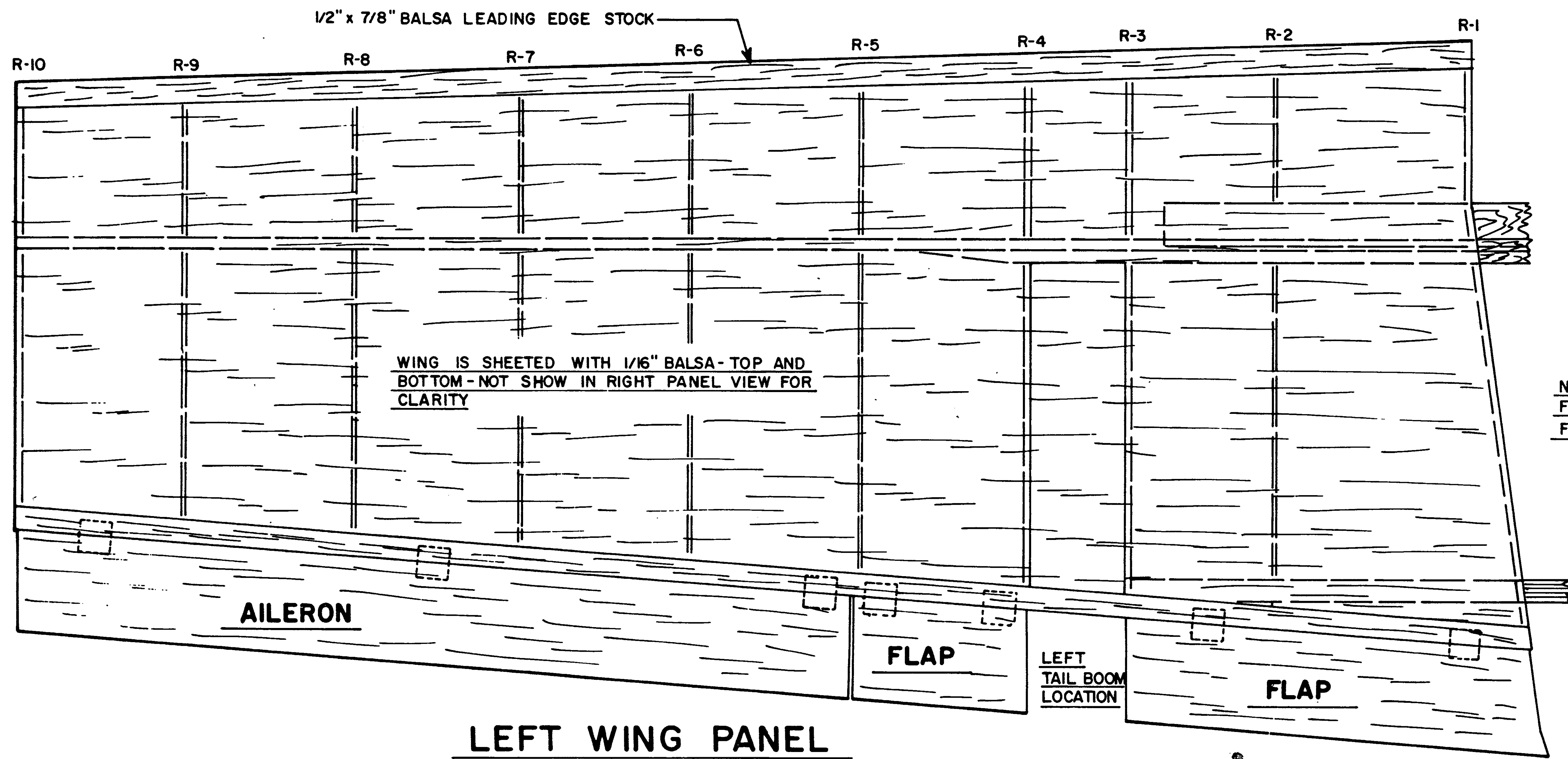
© RCM ALL COMMERCIAL RIGHTS RESERVED

EAGLE MK. II

DESIGNED BY GIANCARLO GENTA
 DRAWN BY GIANCARLO GENTA
 PLANS BY JOE DEMARCO

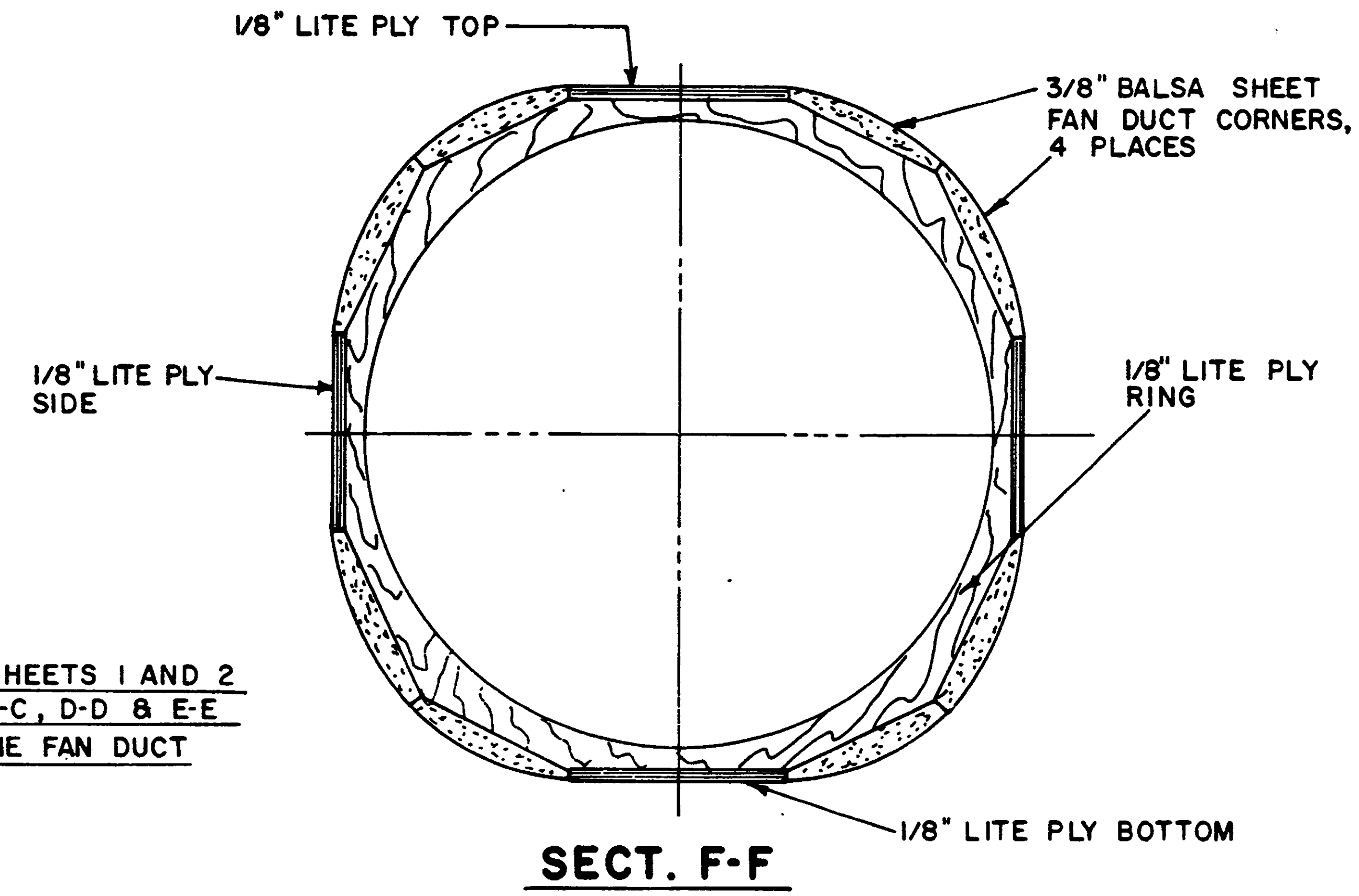
SHEET 2 OF 3

PLAN NO. 1159



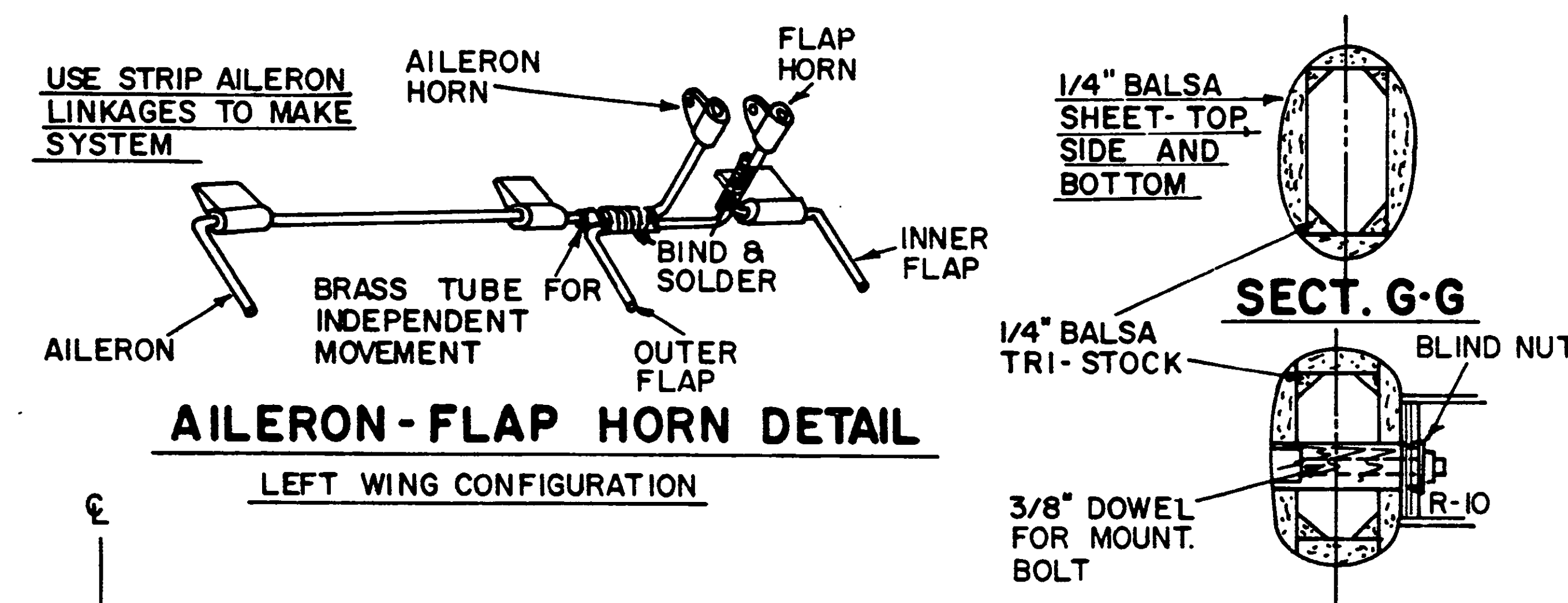
LEFT WING PANEL

NOTE: SEE TEXT AND PHOTOS FOR WING CONSTRUCTION. THE WINGS ARE BUILT DIRECTLY ONTO THE FUSELAGE, FAN DUCT.



SECT. F-F

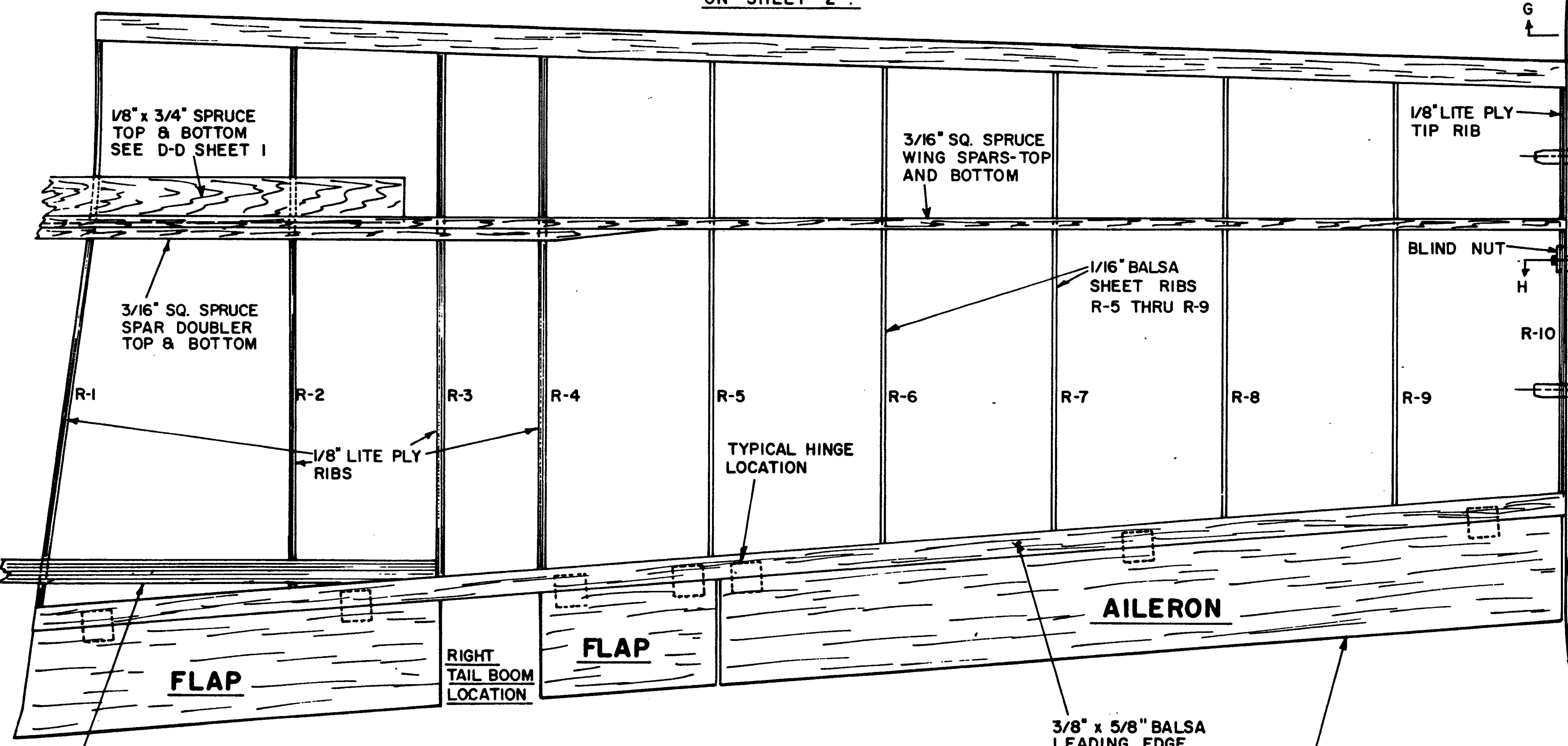
NOTE: SEE SHEETS 1 AND 2 FOR SECT. C-C, D-D & E-E FORMING THE FAN DUCT



AILERON-FLAP HORN DETAIL

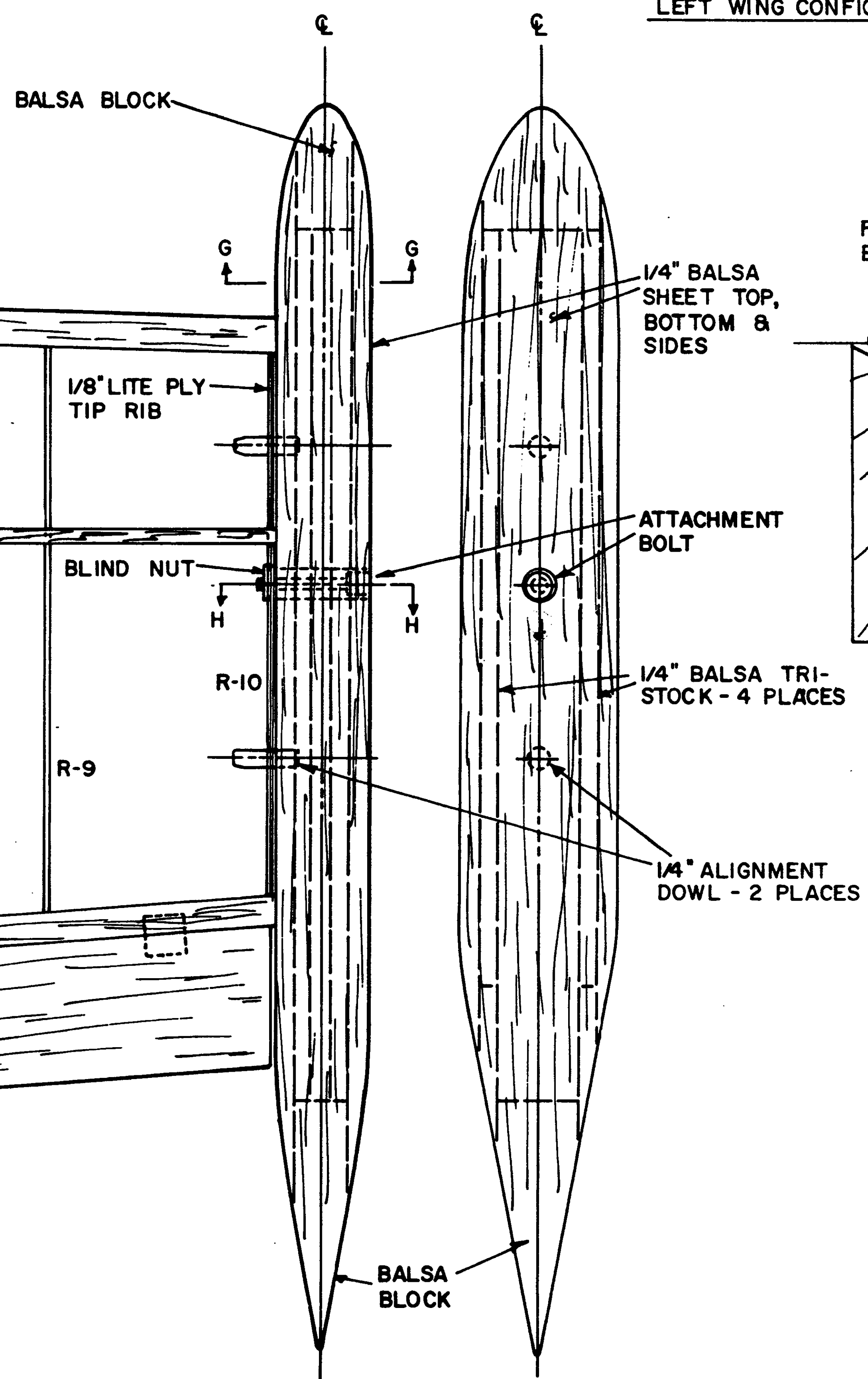
LEFT WING CONFIGURATION

1/2" x 7/8" Balsa LEADING EDGE STOCK - OR SHAPE A SUITABLE SUBSTITUTE AND REVISE THE FWD. PARTS OF THE RIBS TO FIT. RIB PATTERNS ARE SHOWN ON SHEET 2.

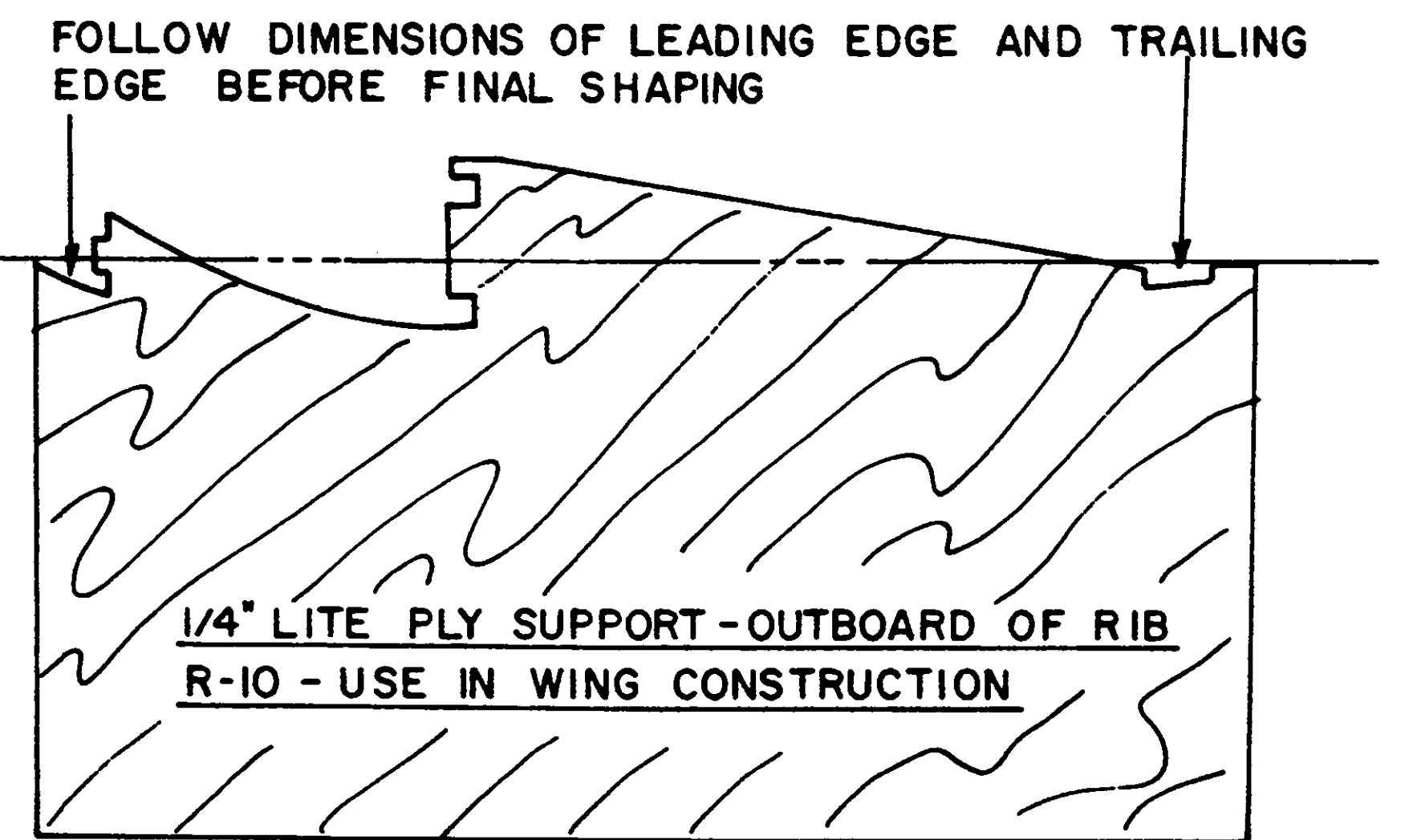


RIGHT WING PANEL

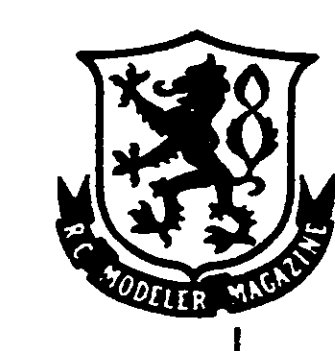
SEE SHEET 2 RIGHT WING PANEL FOR L.G. & WHEEL WELL DETAIL



TIP TANK DETAIL



WING CONSTRUCTION JIG



© RCM ALL COMMERCIAL RIGHTS RESERVED

EAGLE MK. II

DESIGNED & DRAWN BY GIANCARLO GENTA PLANS BY JOE DEMARCO

