

K&B .40 R/C ENGINE SHOWN

NO. 4-1/2" SELF TAPPING SCREWS (COWL ATTACHMENT)

2 3/4" SPINNER

SULLIVAN SS-8 (8 OUNCE) FUEL TANK

TATONE 30454 ENGINE MOUNT

FIBREGLAS COWL OUTLINE

3/8" X 3/8" HARDWOOD

NO. 2-3/8" SELF TAPPING SCREWS NACELLE HATCH ATTACHMENT

LANDING GEAR RETAINER STRAPS & SCREWS

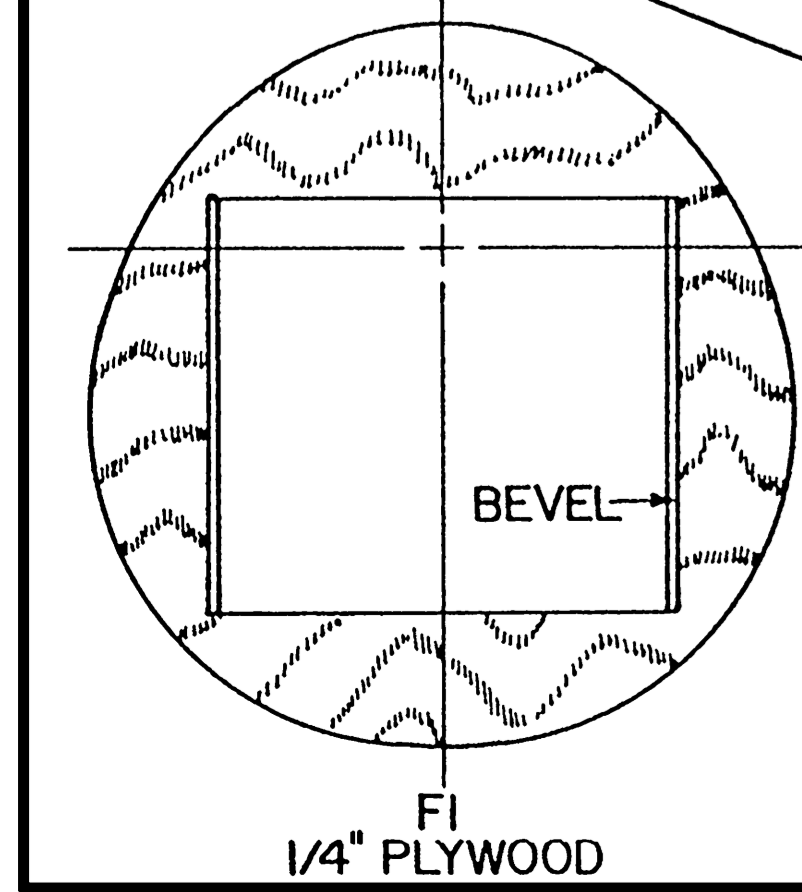
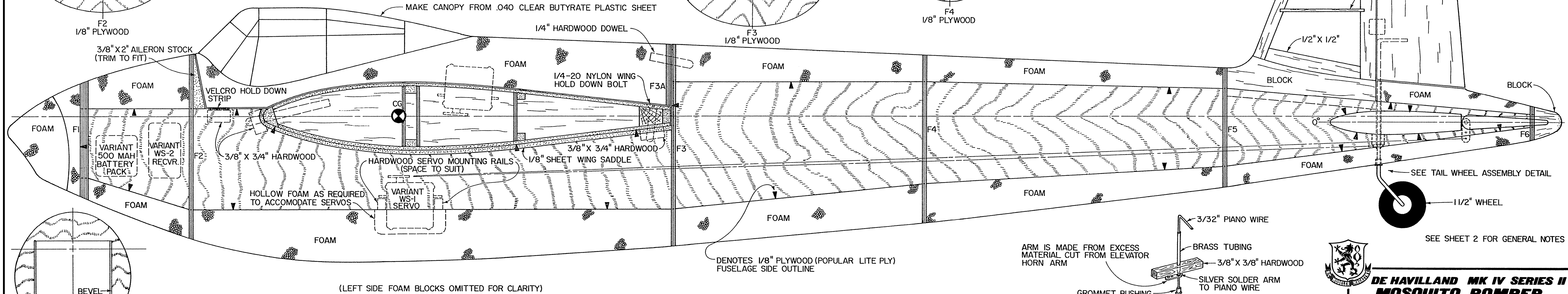
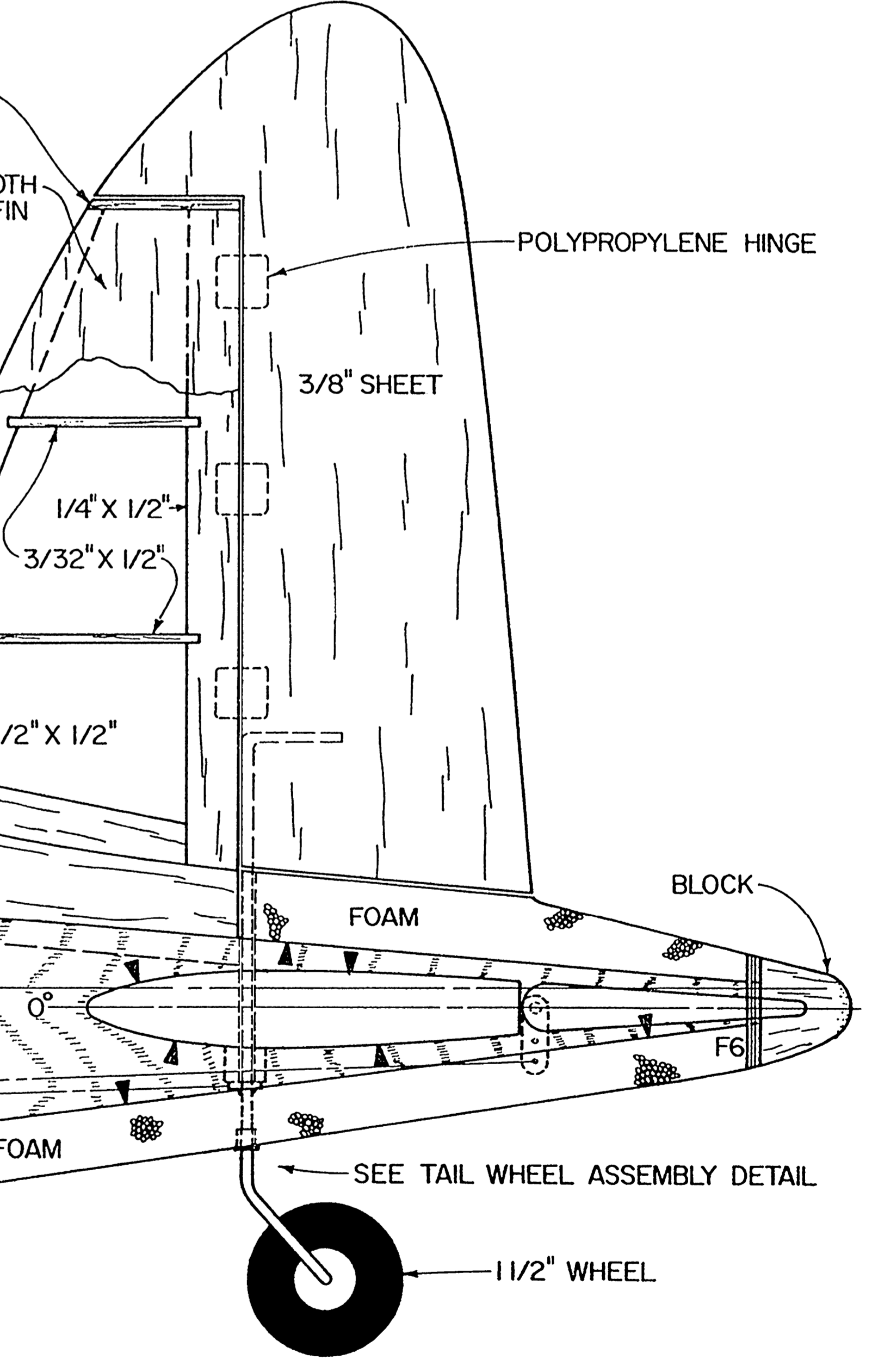
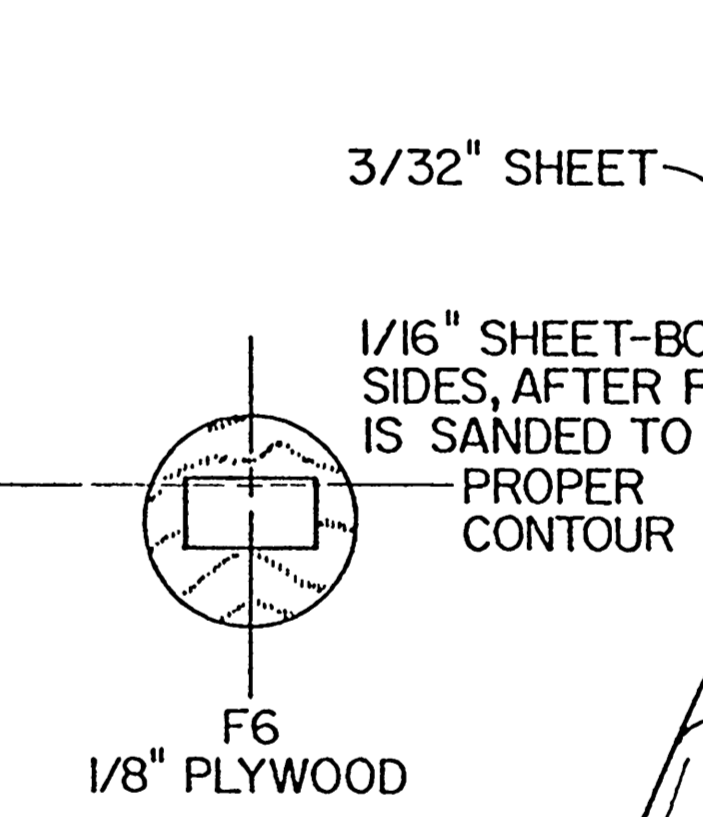
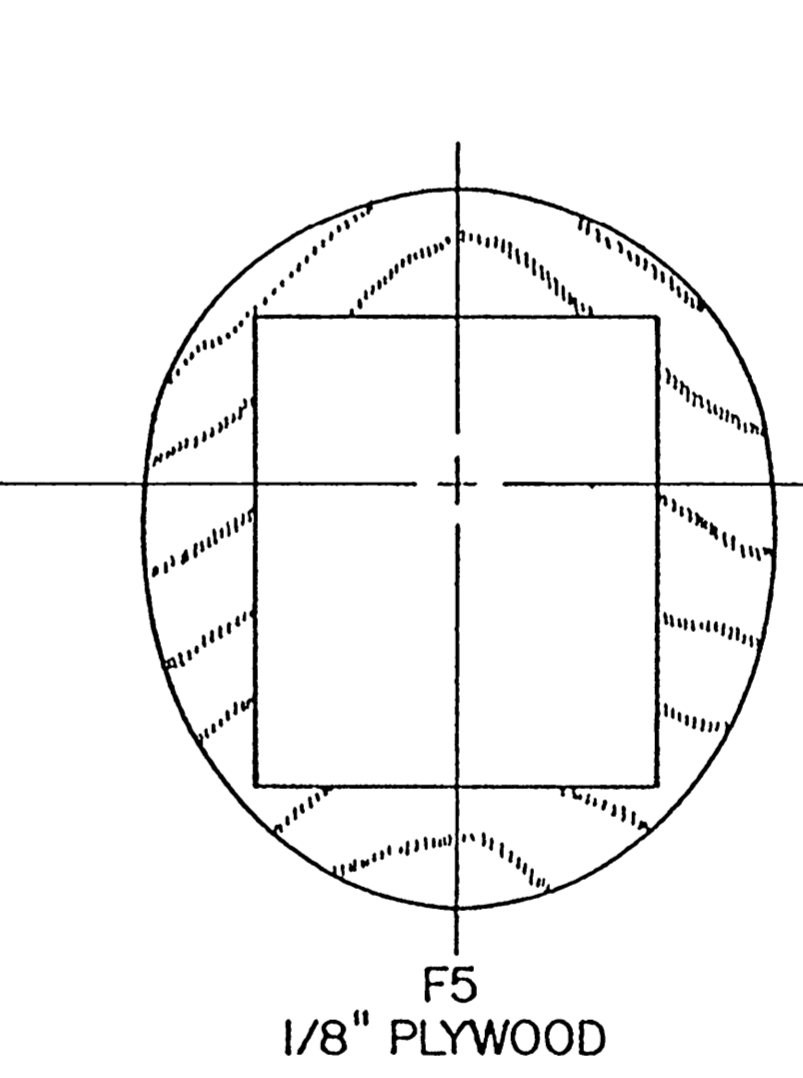
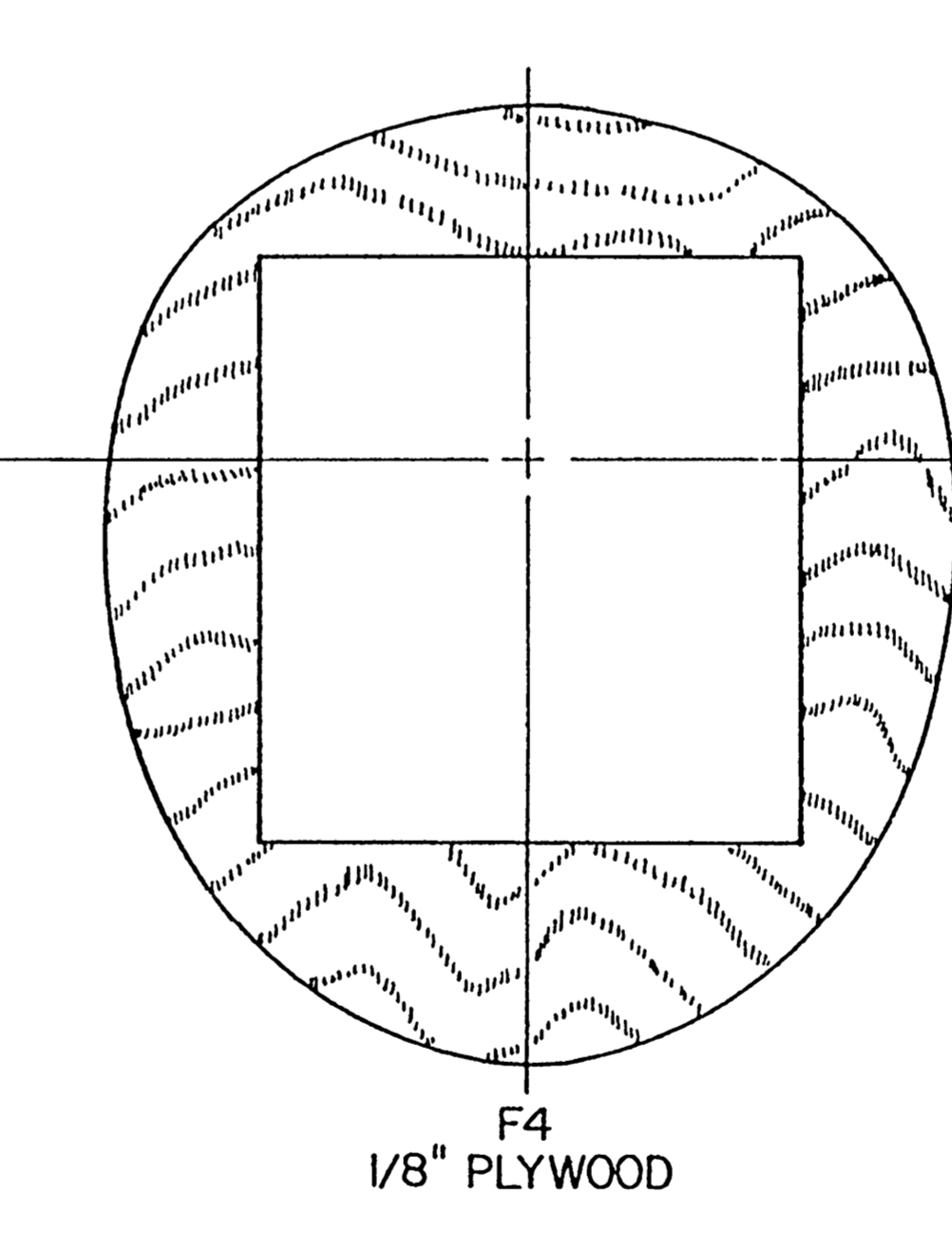
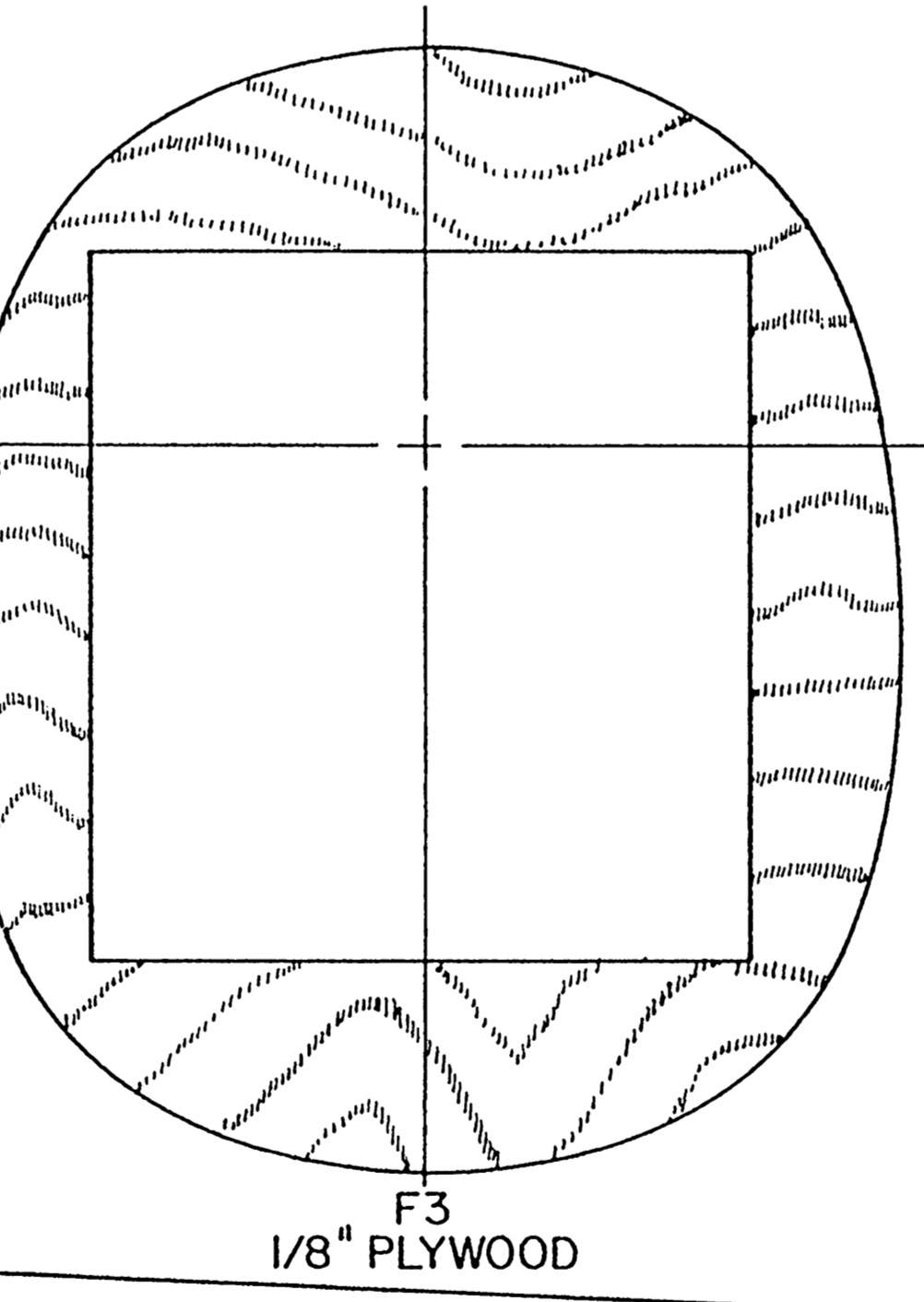
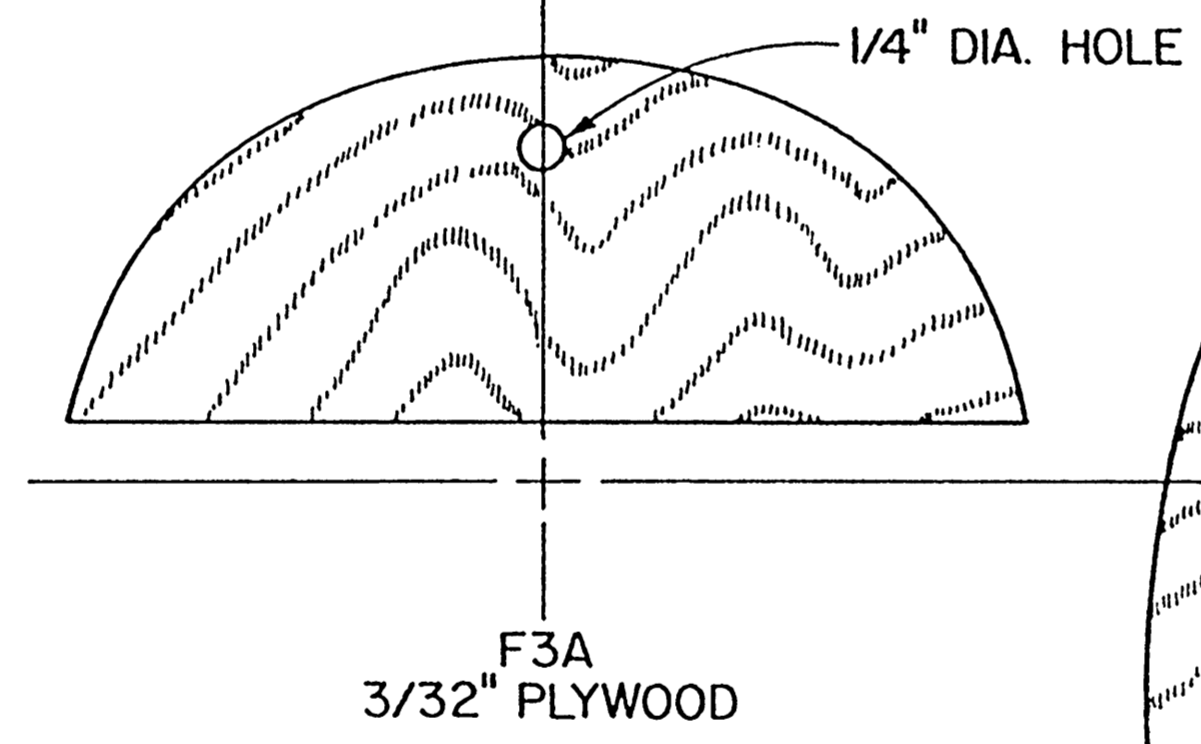
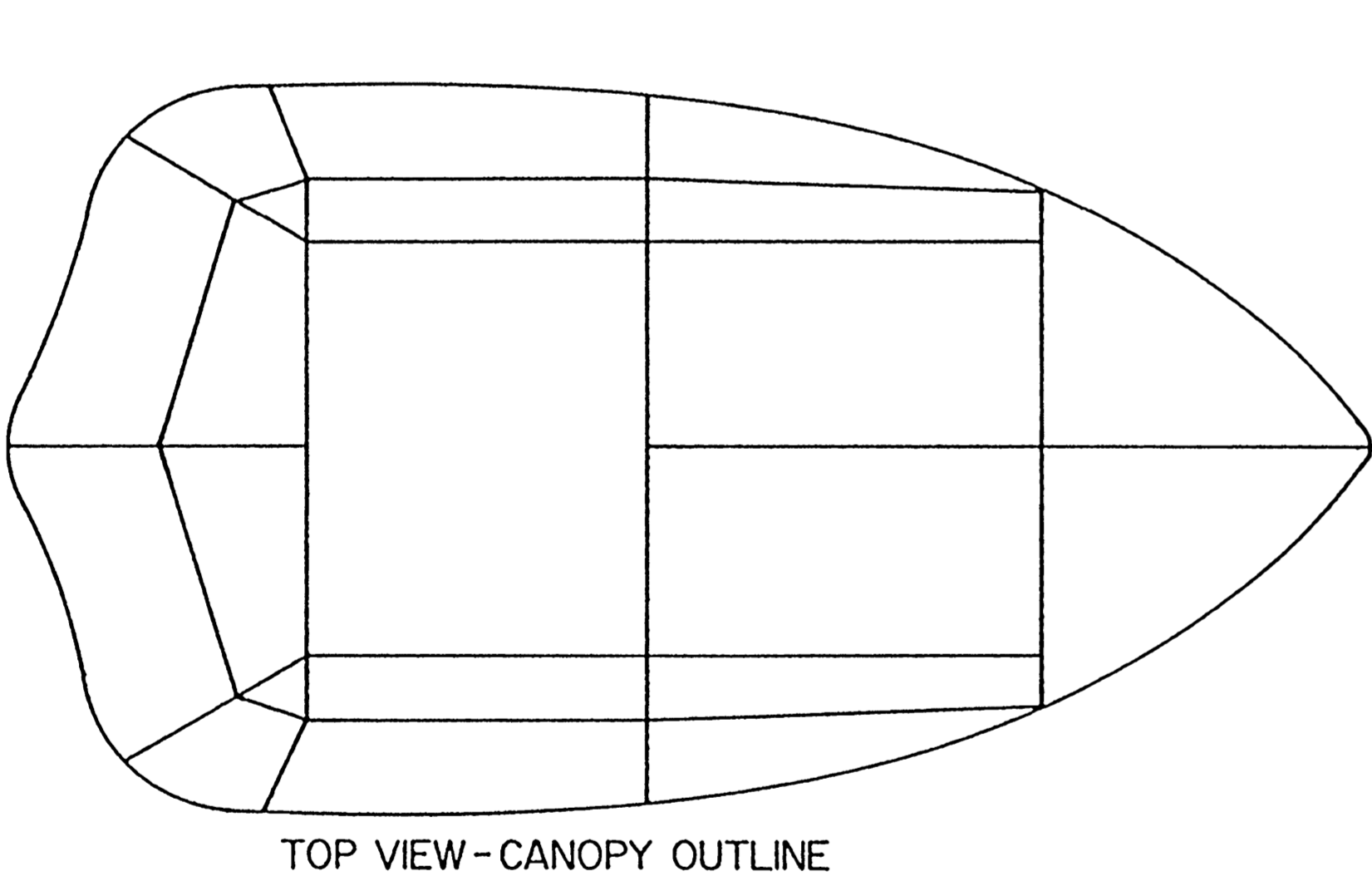
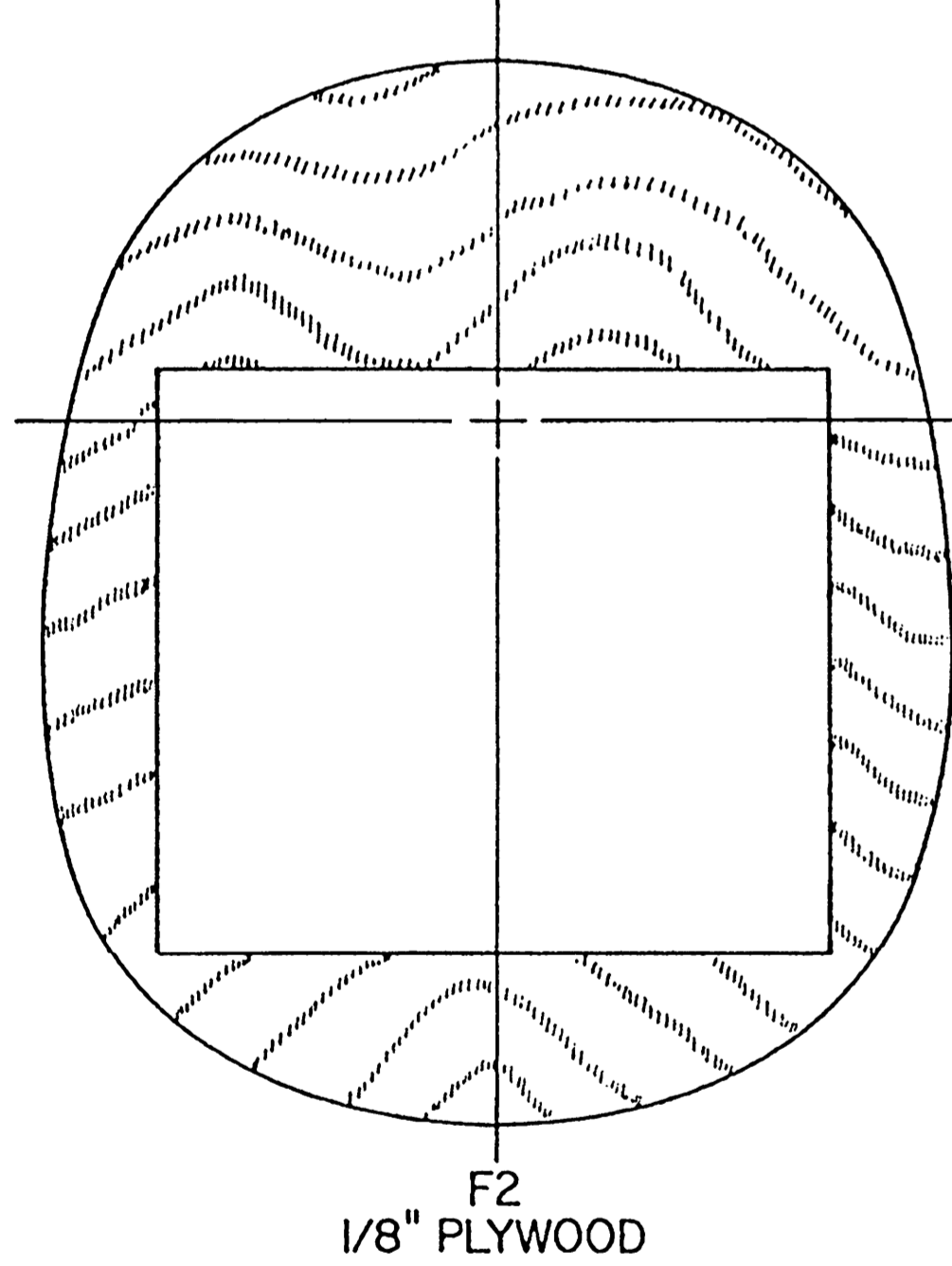
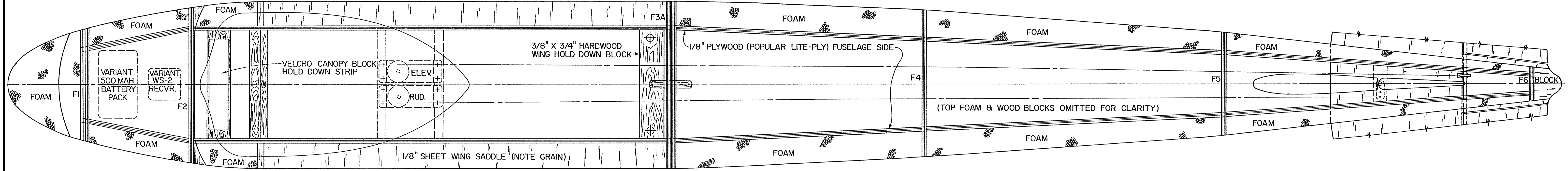
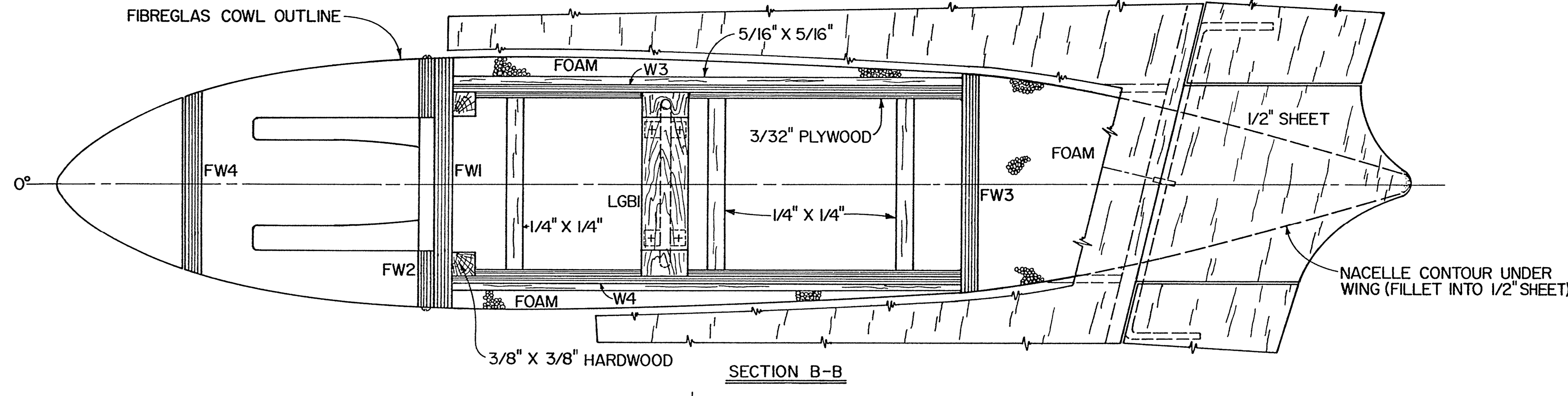
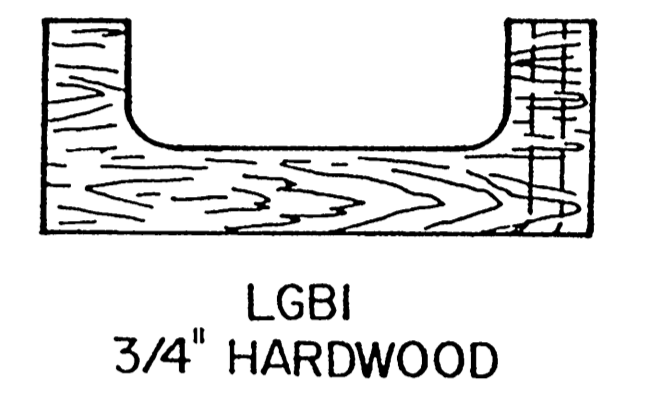
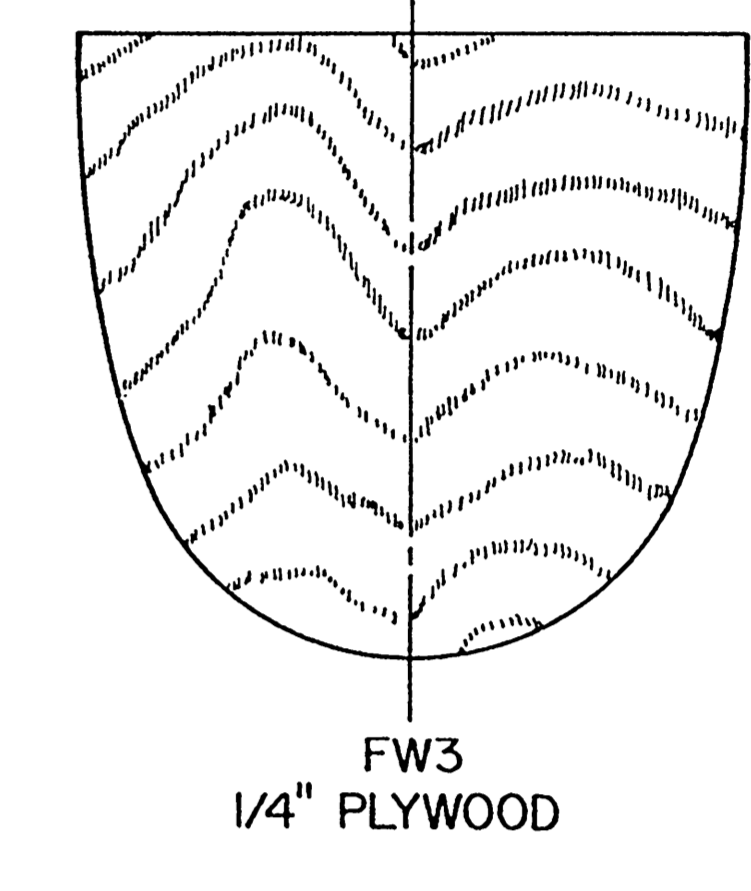
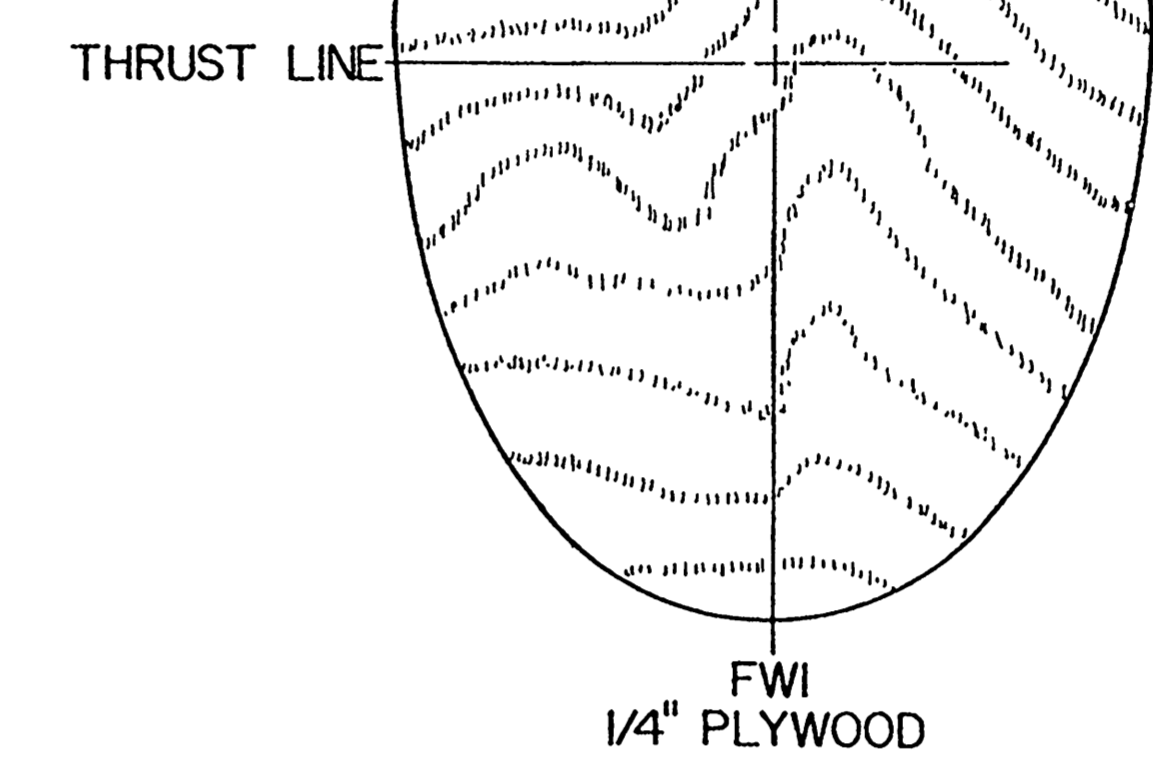
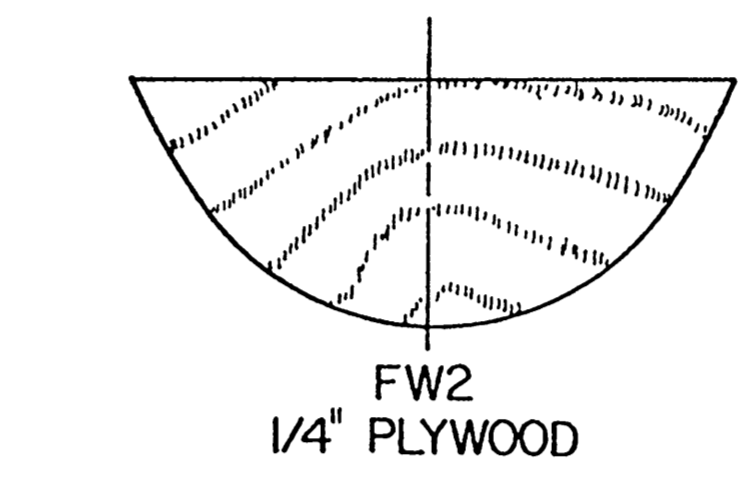
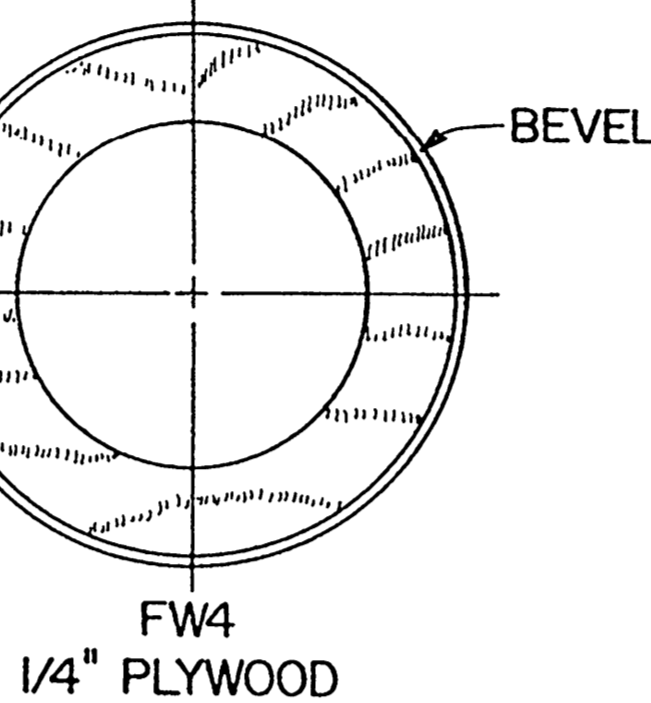
MAKE FROM 5/32" DIA. PIANO WIRE

3 1/2" WHEEL

3/32" PLYWOOD

5/16" X 5/16"

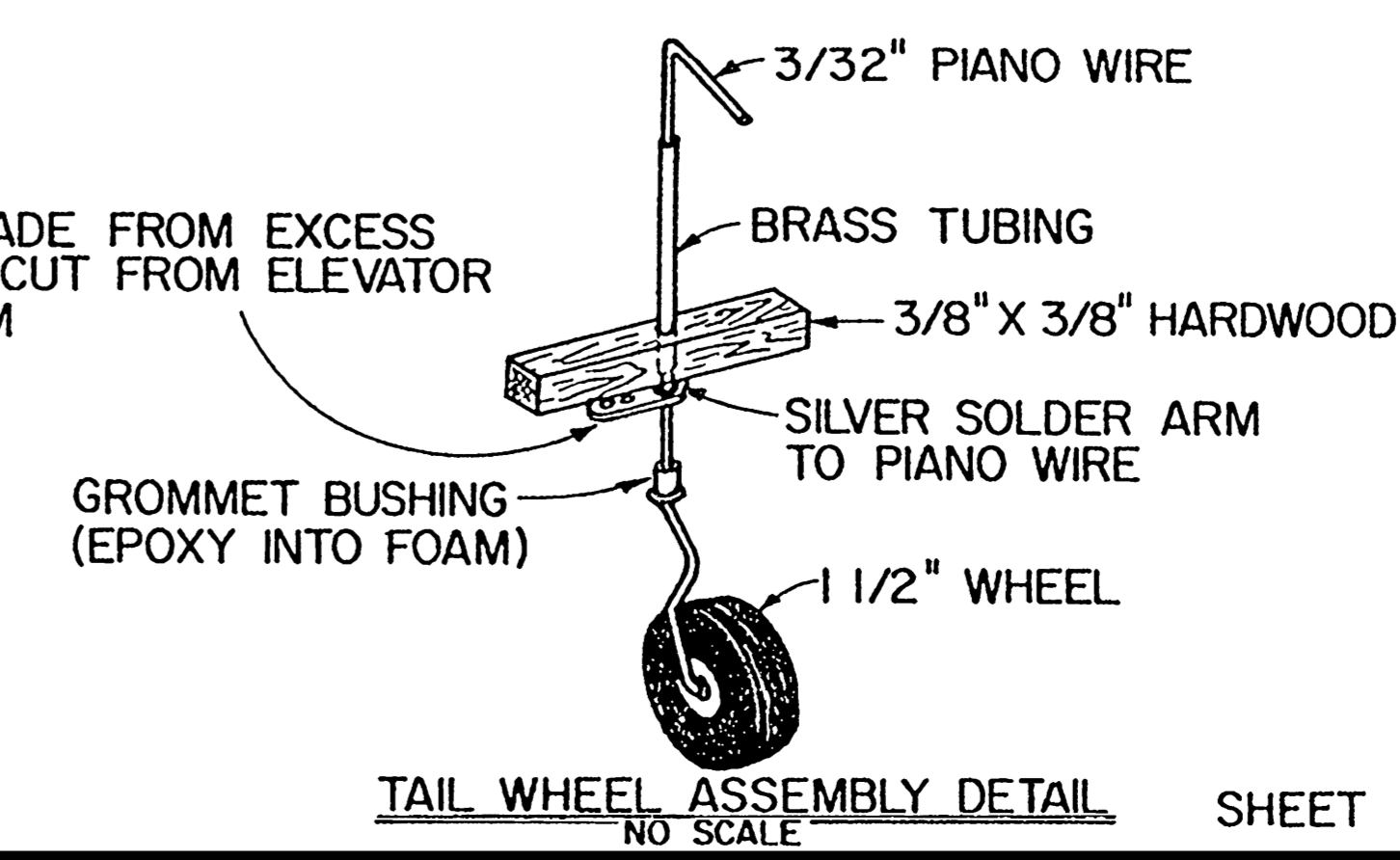
NACELLE HATCH DETAIL NO SCALE
(COVER WITH 8 OUNCE FIBREGLAS CLOTH & RESIN, AFTER SANDING TO PROPER CONTOUR. CLOTH & RESIN EXTENDS OVER FORMERS FW1 & FW3 FOR SCREW ATTACHMENT)



(LEFT SIDE FOAM BLOCKS OMITTED FOR CLARITY)

COVER FUSELAGE WITH 2 OUNCE FIBREGLAS CLOTH & RESIN

ARM IS MADE FROM EXCESS MATERIAL CUT FROM ELEVATOR HORN ARM

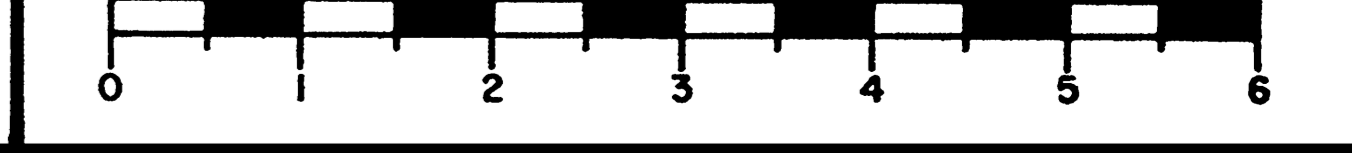


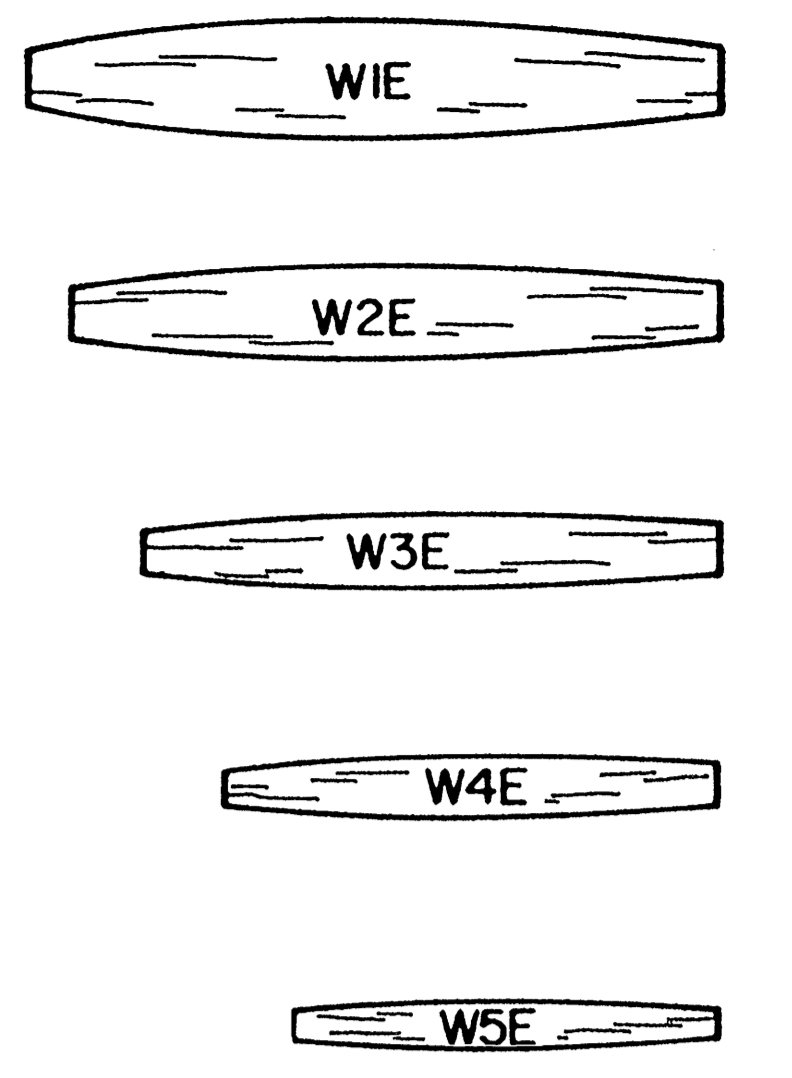
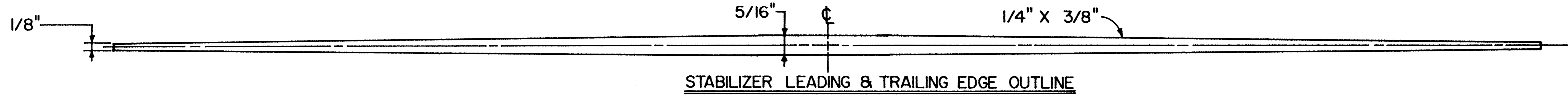
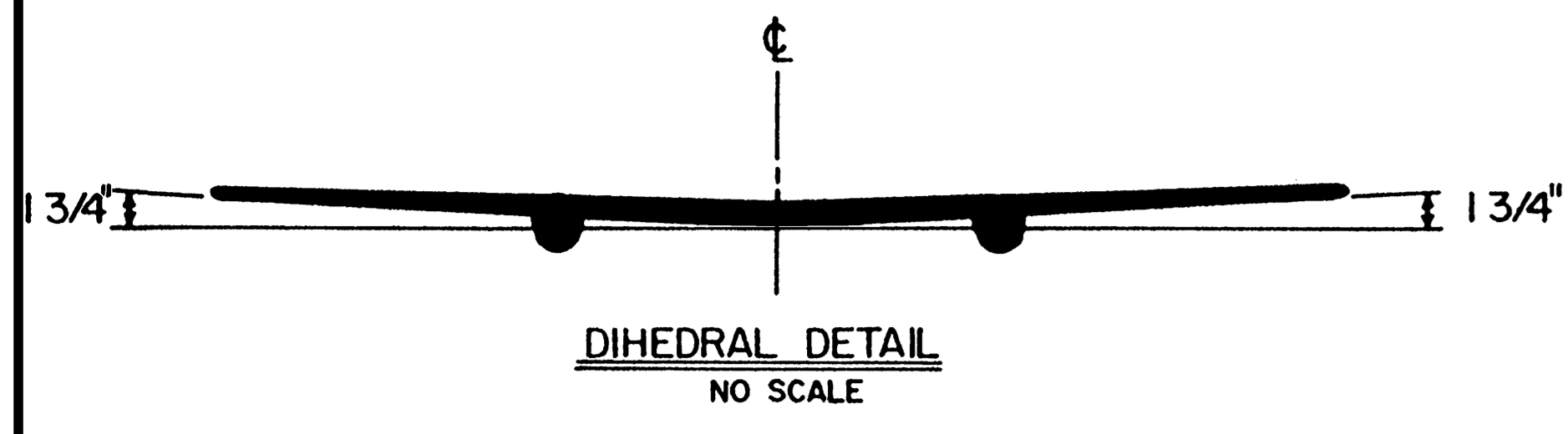
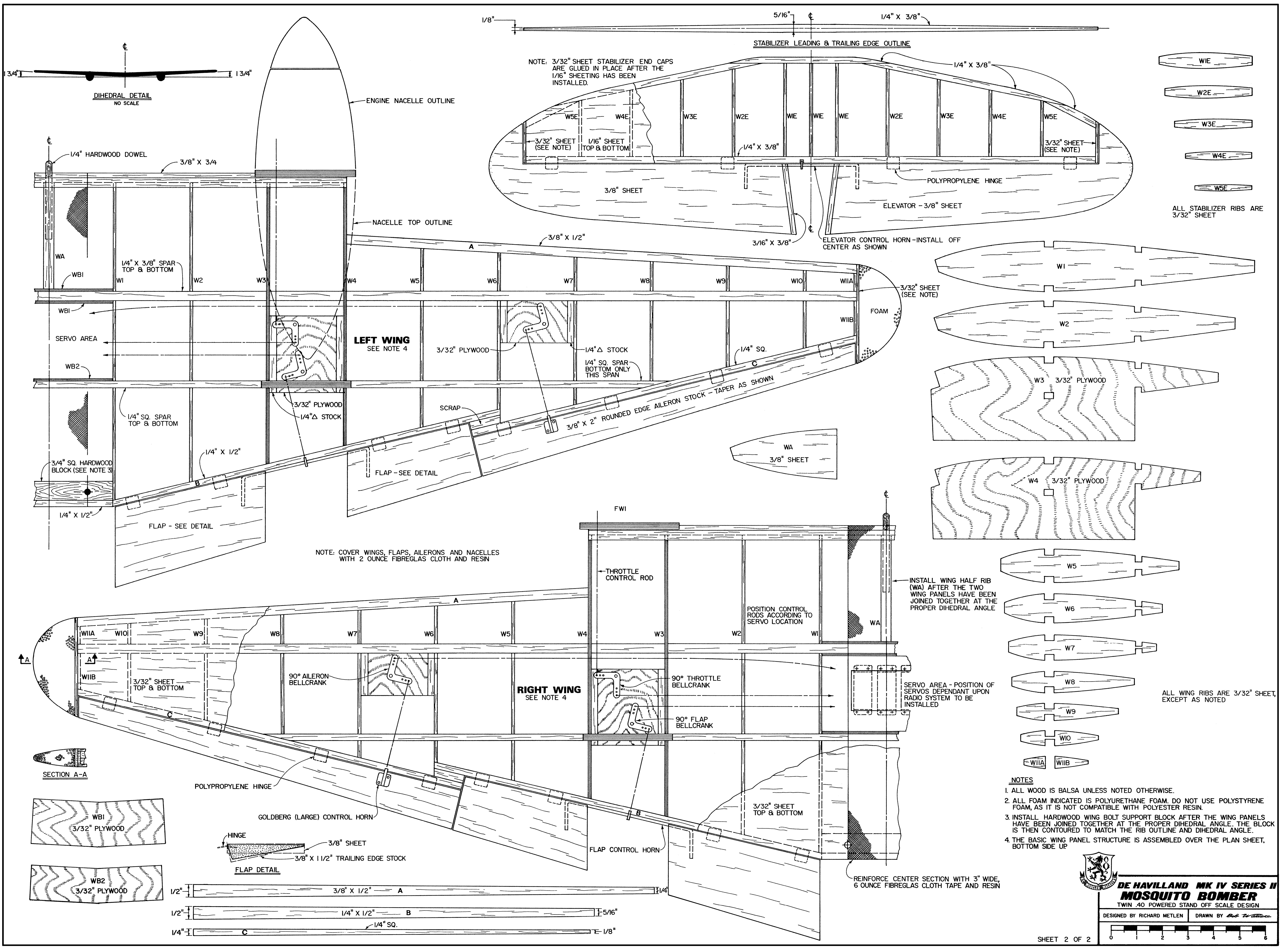
SEE SHEET 2 FOR GENERAL NOTES



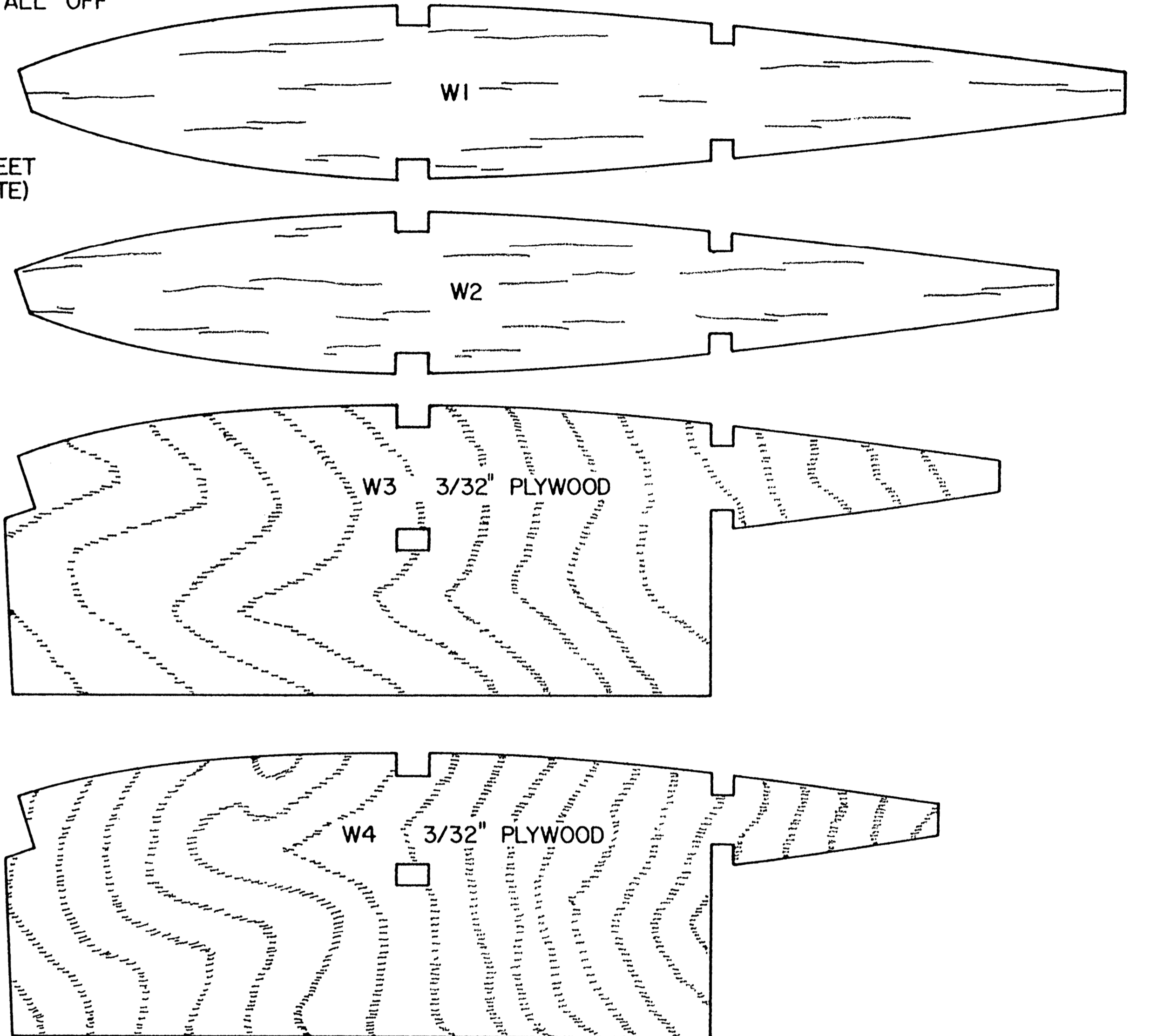
DE HAVILLAND MK IV SERIES II MOSQUITO BOMBER
TWIN .40 POWERED STAND OFF SCALE DESIGN

DESIGNED BY RICHARD METLEN DRAWN BY Bob Williams





ALL STABILIZER RIBS ARE 3/32" SHEET



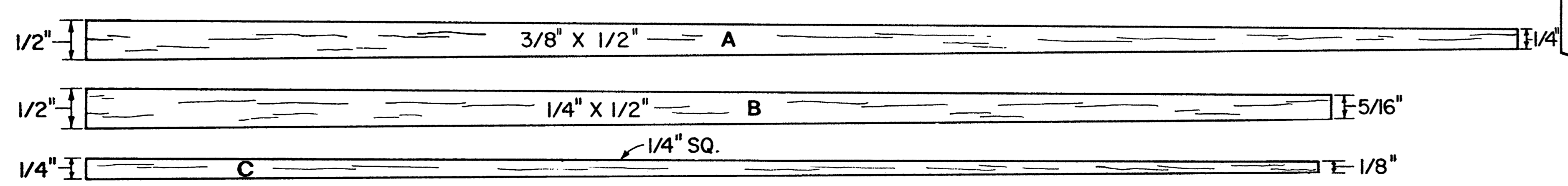
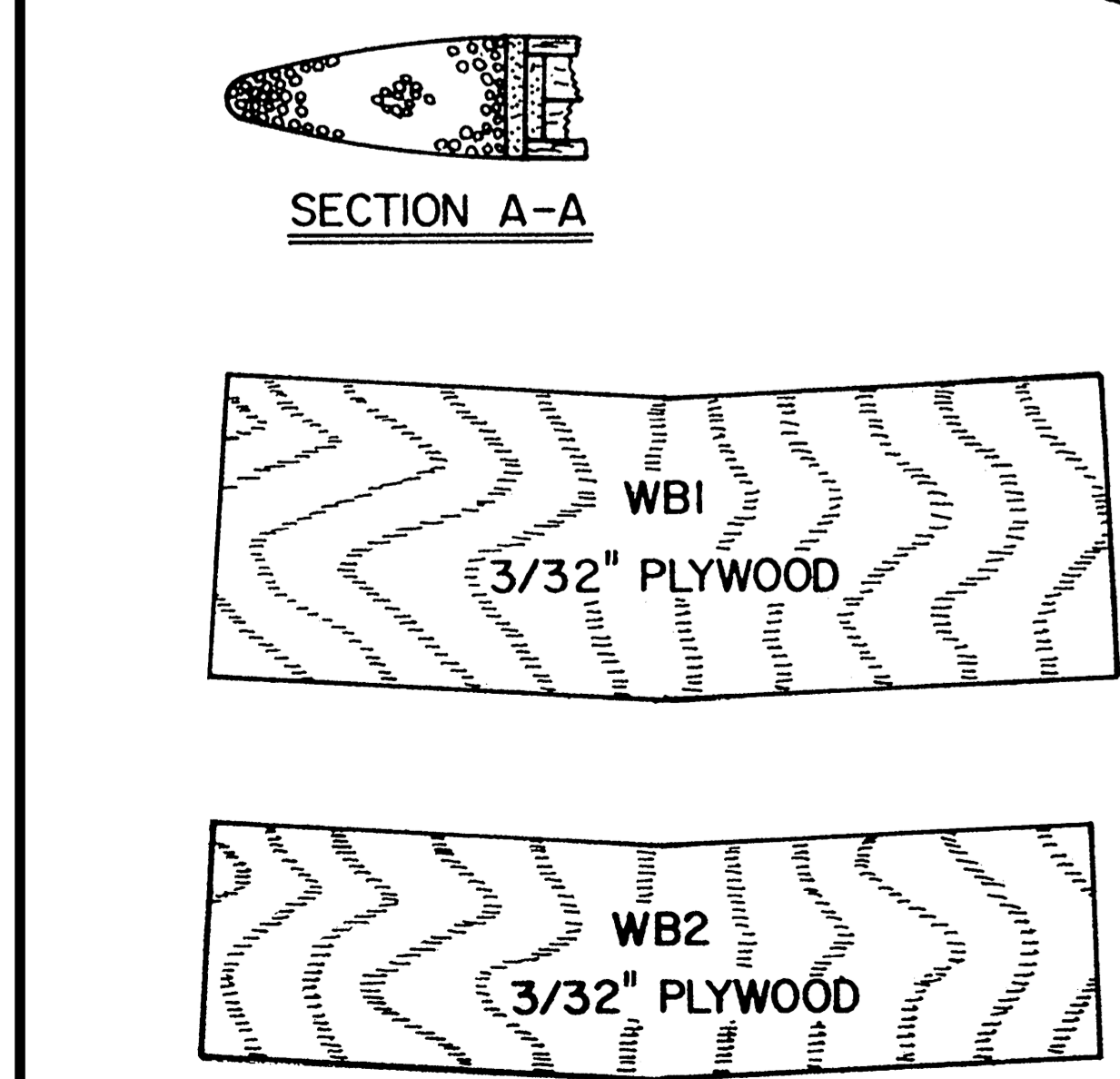
ALL WING RIBS ARE 3/32" SHEET, EXCEPT AS NOTED

- NOTES**
1. ALL WOOD IS BALSA UNLESS NOTED OTHERWISE.
 2. ALL FOAM INDICATED IS POLYURETHANE FOAM. DO NOT USE POLYSTYRENE FOAM, AS IT IS NOT COMPATIBLE WITH POLYESTER RESIN.
 3. INSTALL HARDWOOD WING BOLT SUPPORT BLOCK AFTER THE WING PANELS HAVE BEEN JOINED TOGETHER AT THE PROPER DIHEDRAL ANGLE. THE BLOCK IS THEN CONTOURED TO MATCH THE RIB OUTLINE AND DIHEDRAL ANGLE.
 4. THE BASIC WING PANEL STRUCTURE IS ASSEMBLED OVER THE PLAN SHEET, BOTTOM SIDE UP.



DE HAVILLAND MK IV SERIES II MOSQUITO BOMBER
TWIN .40 POWERED STAND OFF SCALE DESIGN

DESIGNED BY RICHARD METLEN DRAWN BY Bob Wallace



REINFORCE CENTER SECTION WITH 3" WIDE, 6 OUNCE FIBREGLAS CLOTH TAPE AND RESIN