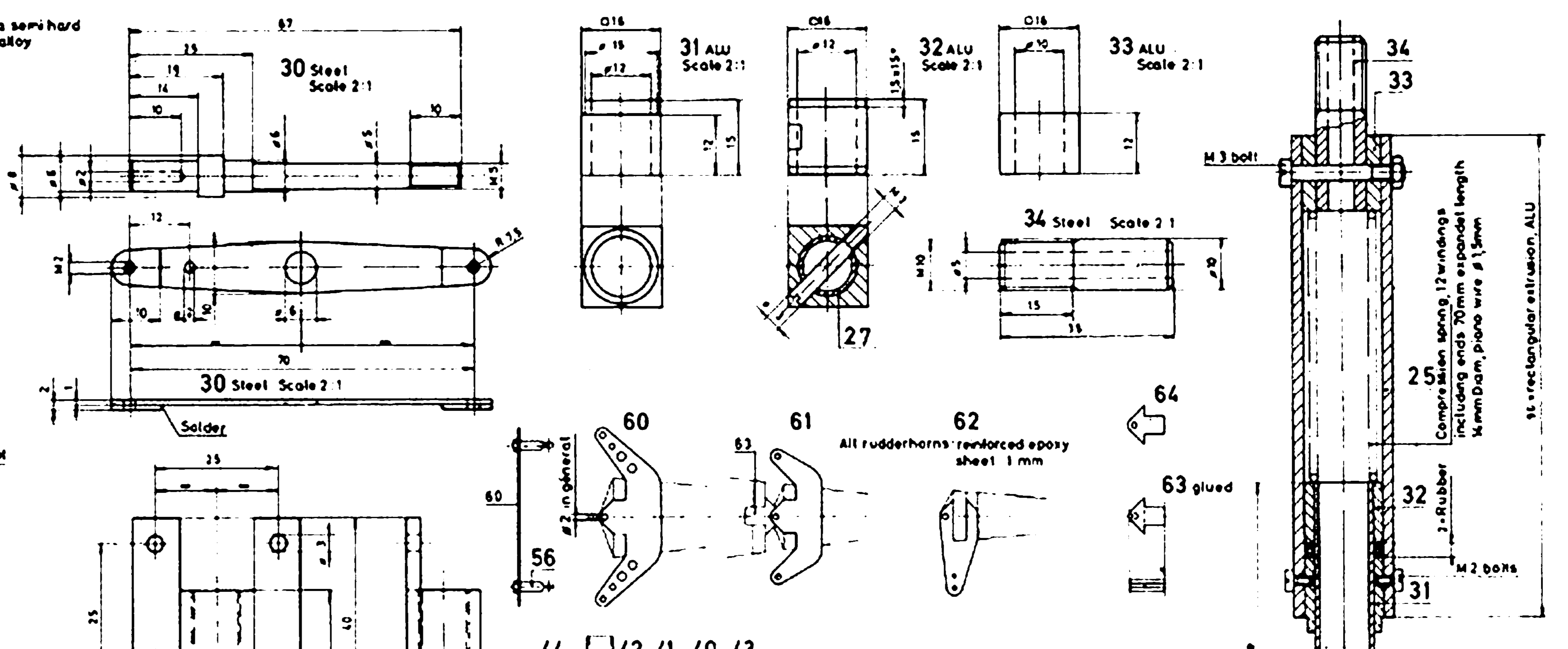
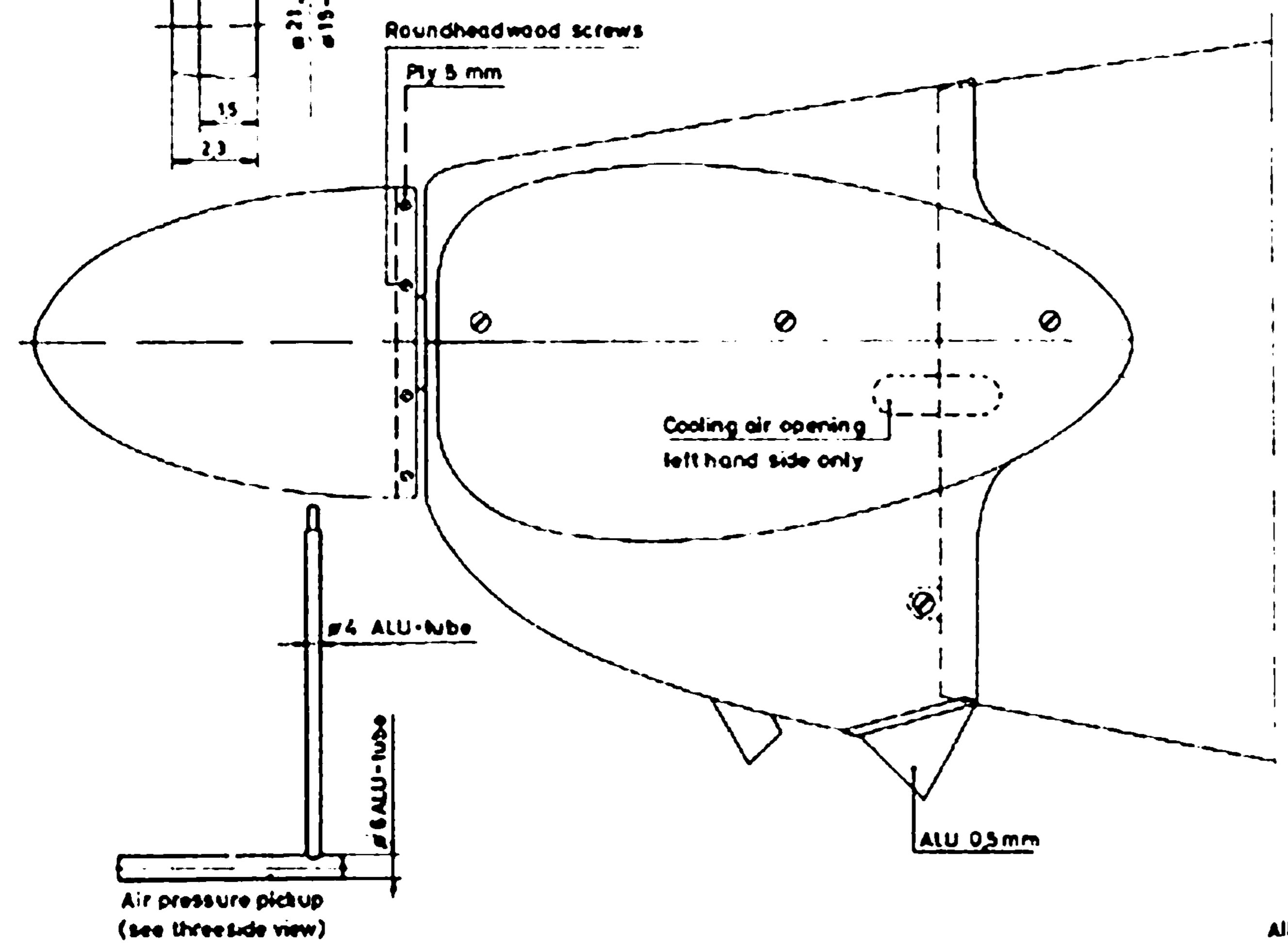
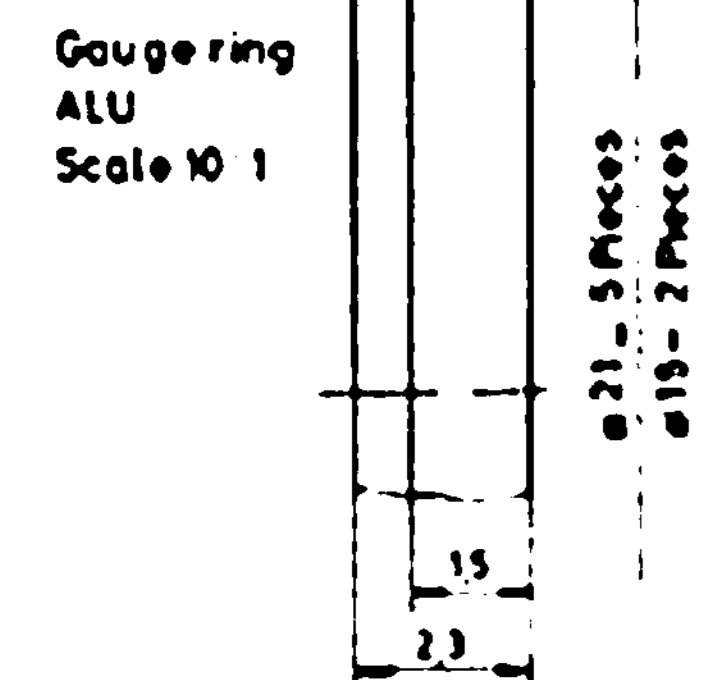
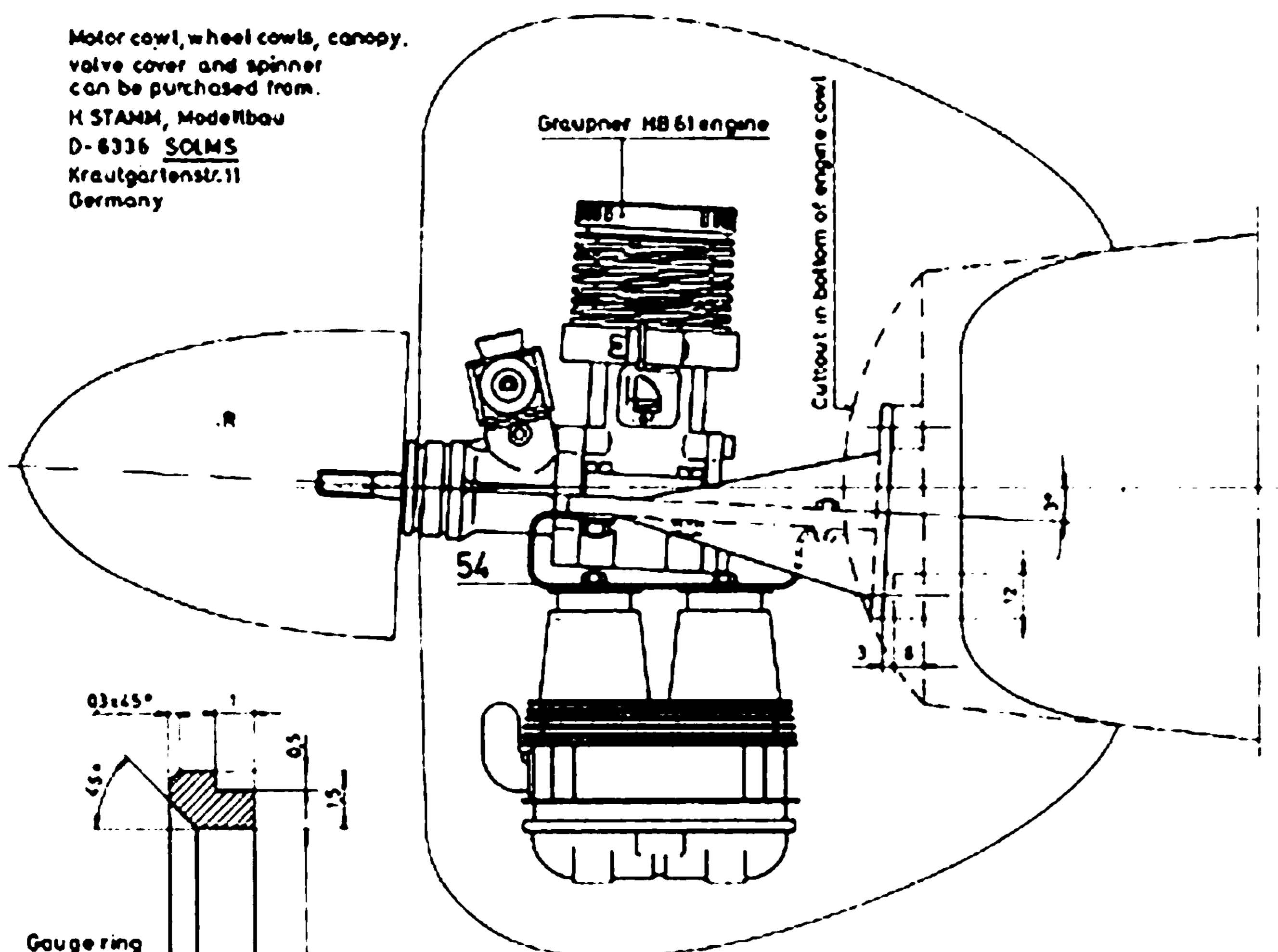


Note: All means a semi-hard aluminum alloy



Motor cowls, wheel cowls, canopy, valve cover and spinner can be purchased from:
H. STAMM, Modellbau D-6336 SOLMS Krautgartenstr.11 Germany



Color code: R Red
W White
O Green
S Black

Minimax muffler type: Sport-O-MB 2
Manufacturer: E. JUNG, Modelltechnik D-586 JSERLOHN Auf den Eichen 3 Germany

All rights reserved!

© 1984 ALL COMMERCIAL RIGHTS RESERVED

RC-Scalemodel

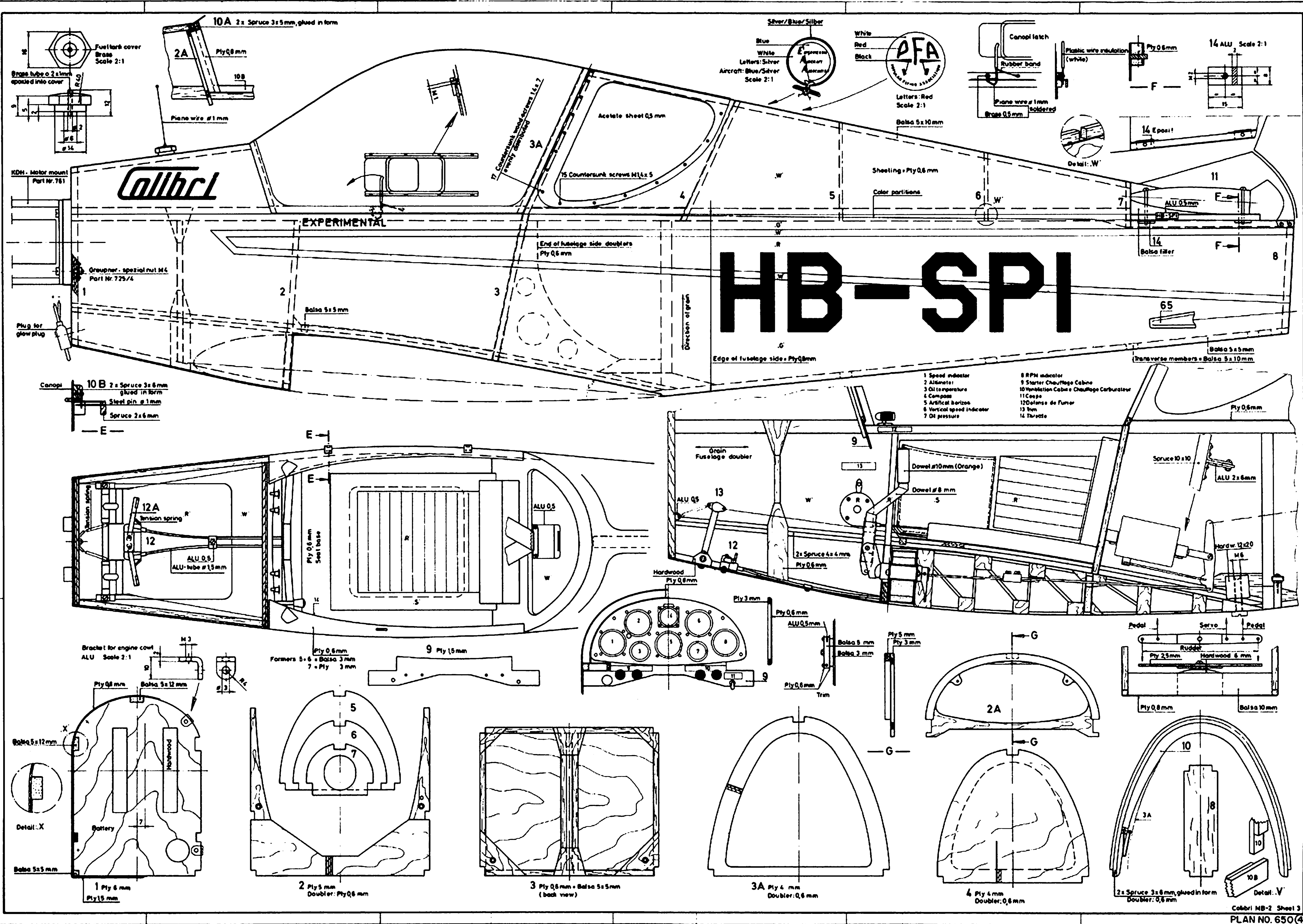


COLIBRI MB-2

Span 1800 mm
Length 1494 mm
Engine 10ccm (61 cu inches)
Weight max. 5000gr (22lbs)
Scale 1: 3.33

Designed by F. Hain
Inked by F. Hain
Translated by TELAVES

This design is based on the original engineering drawings of the full size aircraft.



HB-SPI

- 1 Speed indicator
- 2 Alternator
- 3 Oil temperature
- 4 Compass
- 5 Artificial horizon
- 6 Vertical speed indicator
- 7 Oil pressure
- 8 RPM indicator
- 9 Starter Chauffage Cabine
- 10 Ventilation Cabine Chauffage Carburateur
- 11 Coupe
- 12 Ombres de Fusier
- 13 Son
- 14 Turbine