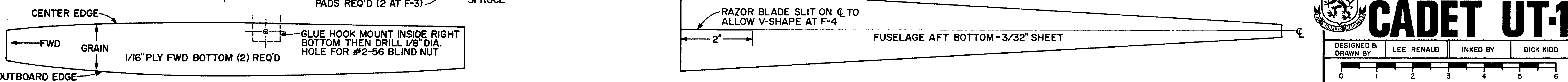
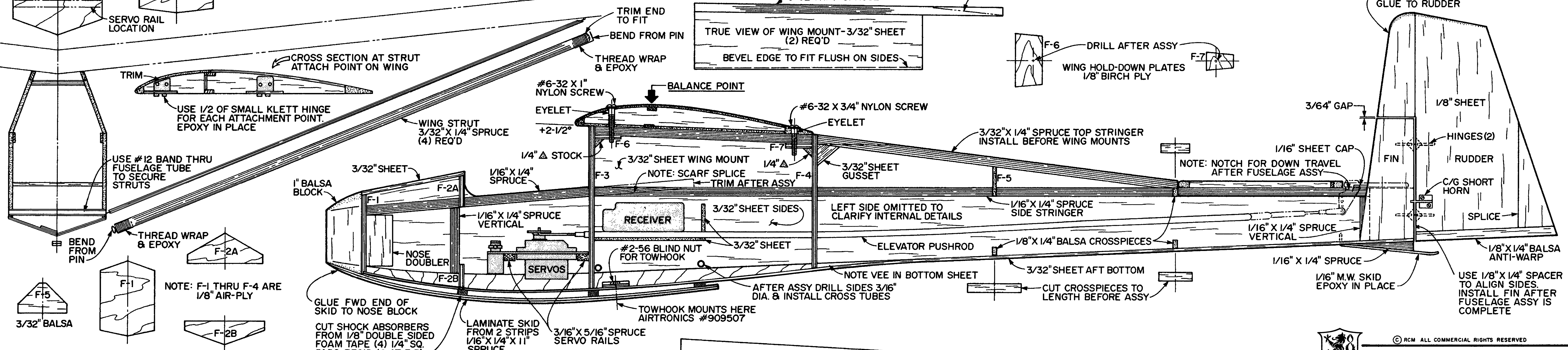
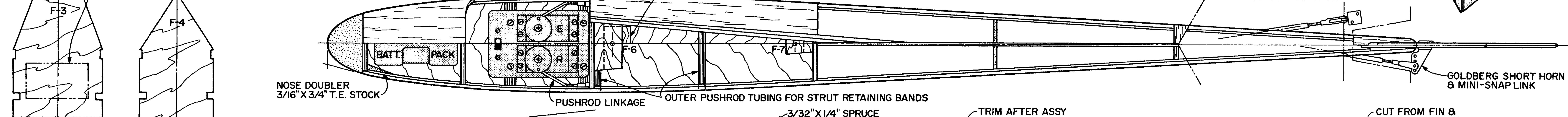
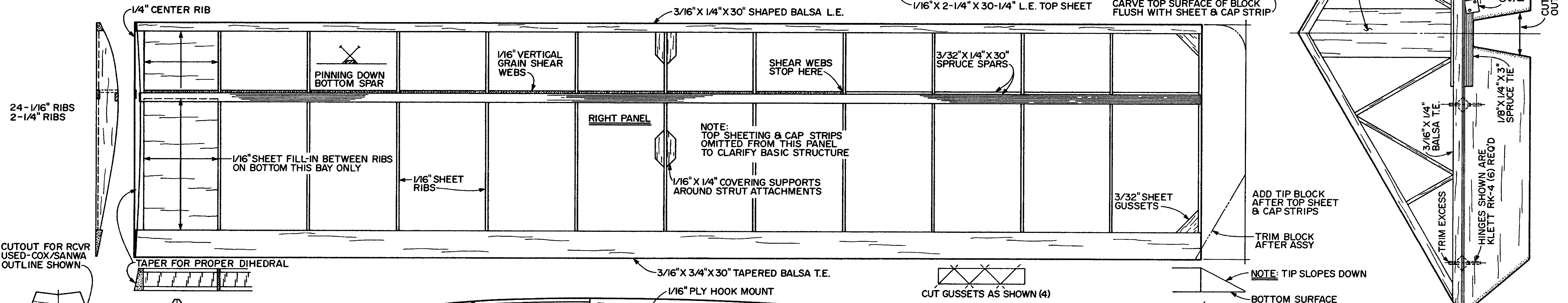
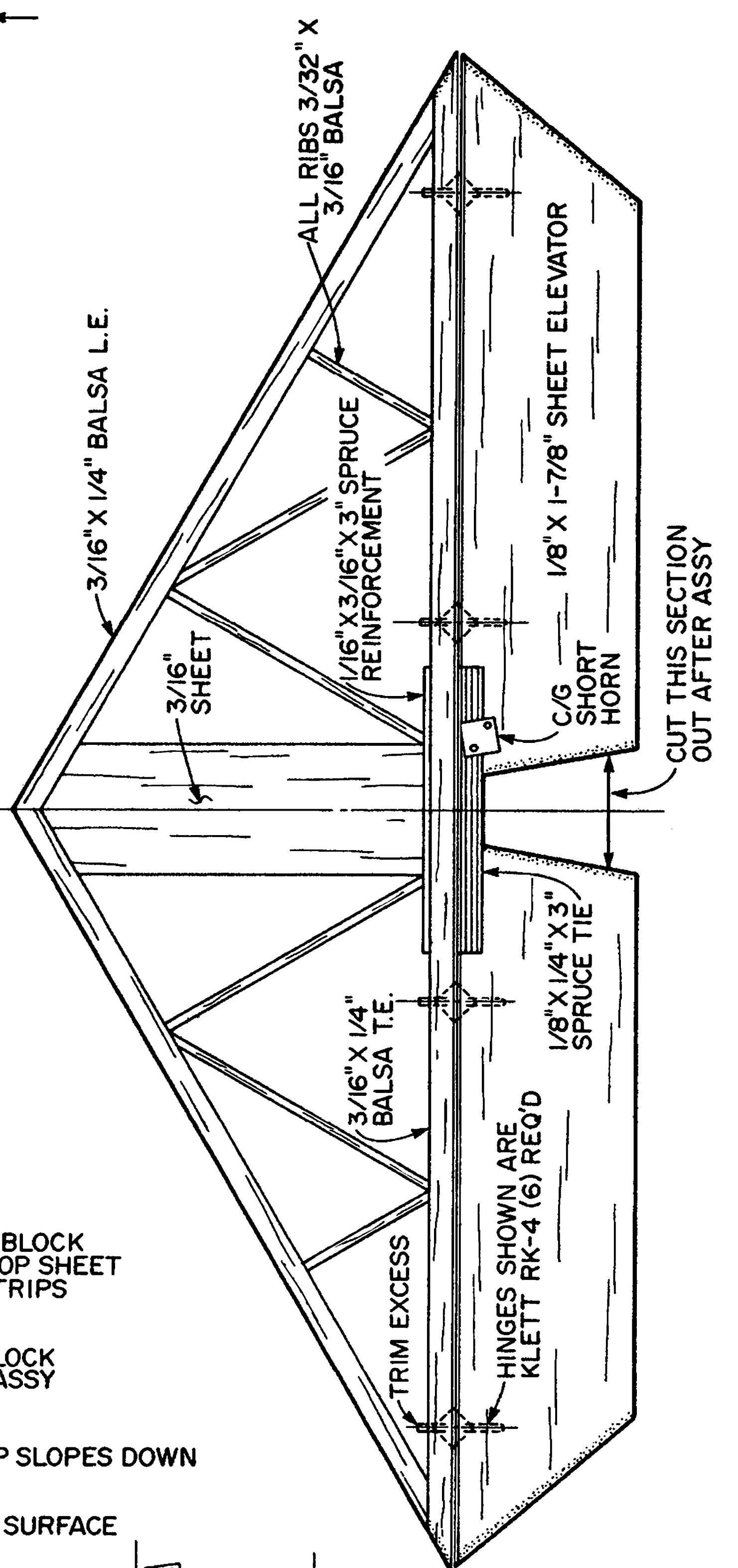
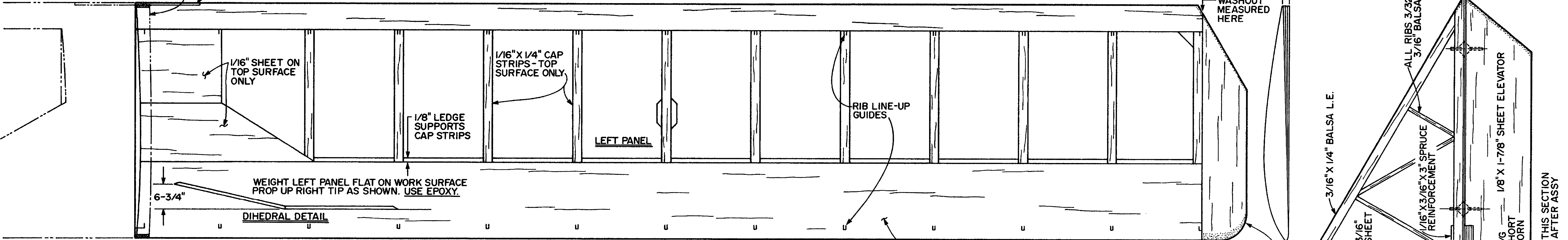


NOTE: WRAP CENTER JOINT WITH NYLON TAPE AFTER JOINING PANELS
 NOTCH T.E. FOR .070 DIA. REINFORCEMENT
 INSTALL BEFORE WRAPPING JOINT

NOTE: AFTER COVERING TWIST THIS SECTION OF WING SO THAT THE TRAILING EDGE IS RAISED 3/16" HIGHER THAN THE LEADING EDGE MEASURED AT THE TIP RIB. BE SURE THAT INBOARD PORTION IS FLAT & BOTH PANELS HAVE THE SAME AMOUNT OF TWIST (WASHOUT)



© RCM ALL COMMERCIAL RIGHTS RESERVED

CADET UT-1

DESIGNED & DRAWN BY LEE RENAUD INKED BY DICK KIDD

0 1 2 3 4 5 6

PLAN NO. 704