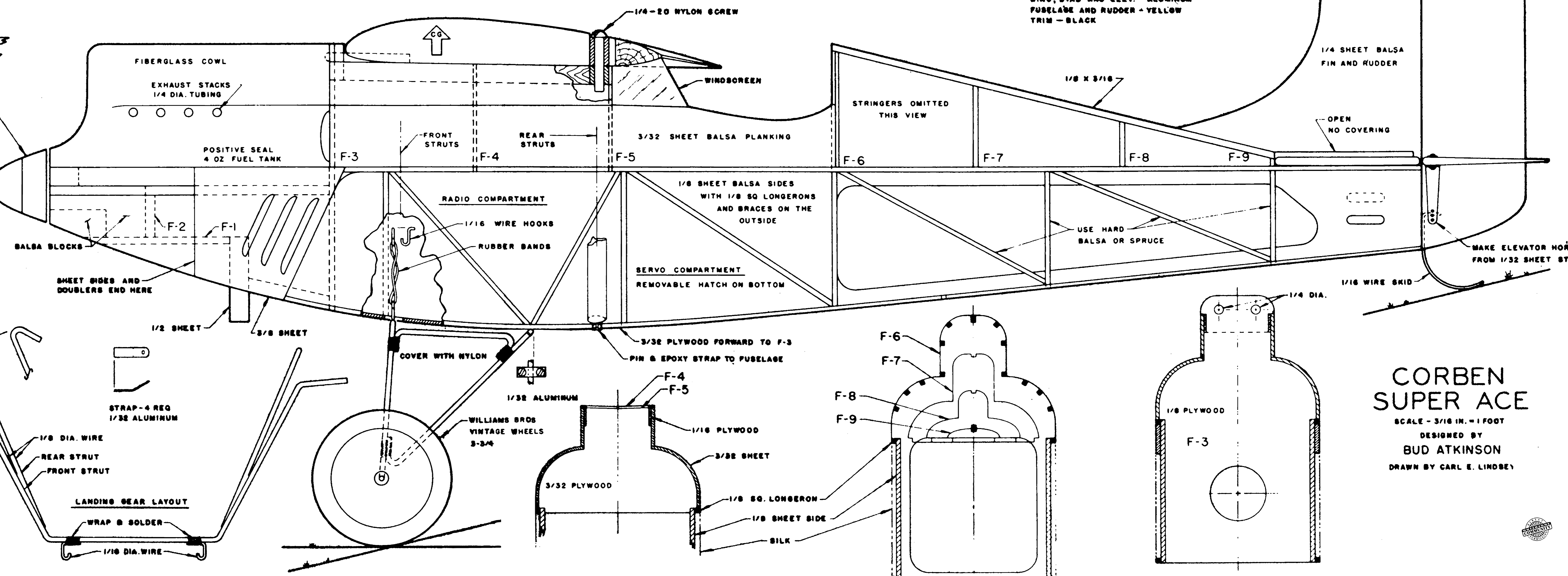
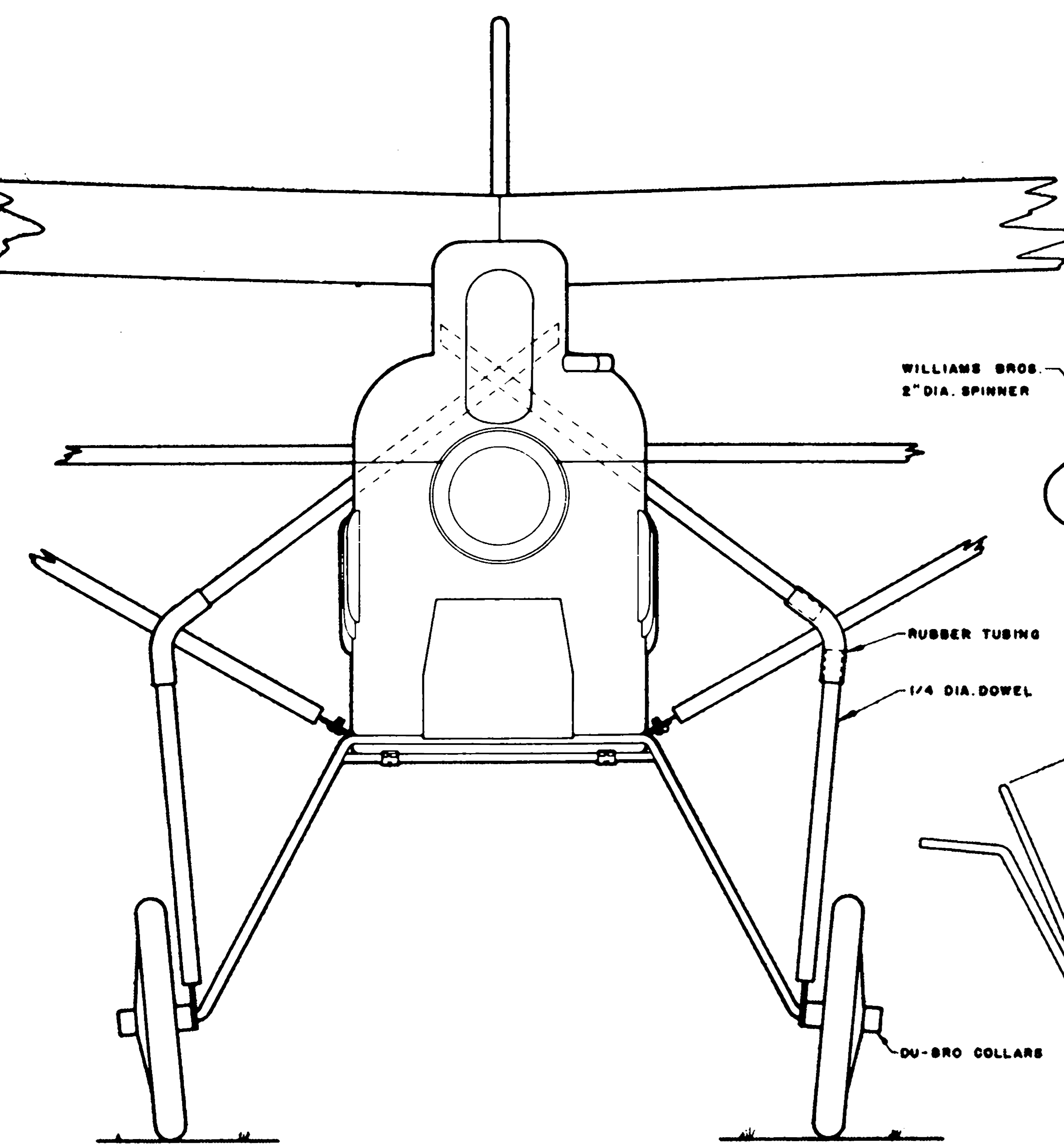


COLOR SCHEME
 WING, STAB AND ELEV. - ALUMINUM
 FUSELAGE AND RUDDER - YELLOW
 TRIM - BLACK



CORBEN SUPER ACE
 SCALE - 3/16 IN. = 1 FOOT
 DESIGNED BY
 BUD ATKINSON
 DRAWN BY CARL E. LINDSEY