

16 - 7/8"

WING PLAN

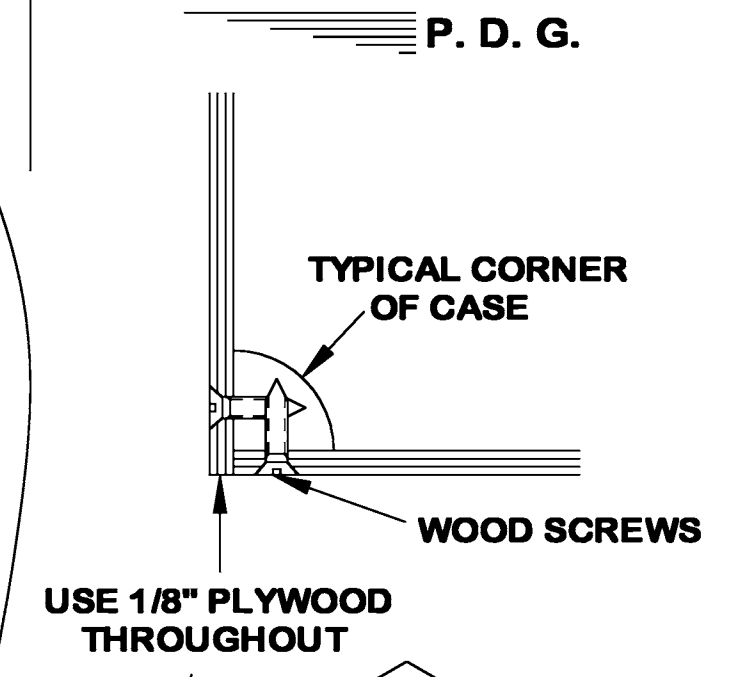
(BOTTOM SHOWN)

WING MADE WITH 3" AND 4" WIDE SHEET OF 1/8" Balsa

WING RIBS
3/16 SHEET Balsa

1/16" HARD SHEET Balsa

NOTE: HINGES FOR FOLDING WING ARE SCREWED TO HARDWOOD INSERTS BRACED WITH Balsa BLOCKS



CARRING CASE DETAILS

STAB PLAN

DIHEDRAL SKETCH

1/16" SHEET Balsa REINFORCEMENT ON BOTTOM CENTER OF STAB

REINFORCEMENT ACTS AS ELEVATOR STOP

CLOTH TAPE HINGES

WING SHEET JOINT

SLOT FOR WEDGE CLIP

WING RIB PATTERN

WOOD SCREWS

FUSELAGE TOP VIEW

BATTERY COMPARTMENT

ESCAPEMENT BATTERIES

RADIO COMPARTMENT

1/8" SHEET Balsa FORMER

BING STRUT WITH THREAD TO 1/16" PLYWOOD SHEET

1/8" DIA. DOWEL

Balsa FILLER BLOCK

SCRAP Balsa FAIRING

1/4" SHEET Balsa COWL SIDES

McCOY .049 DESIEL SHOWN

SWITCH

1/8" DIA. DOWEL

PLYWOOD WEDGE CLIP

CANOPY CUT TO FIT OR CARVE FROM SOFT Balsa

FUSELAGE TOP 1/16" SHEET Balsa

BATTERY HATCH COVER SKETCH

SHAPE FROM 1/2" SHEET Balsa

FIN AND RUDDER 1/16" HARD SHEET Balsa

CLOTH TAPE HINGE

BATTERY HATCH COVER

1/8" SQ. Balsa BRACES

MOUNT DELTRON PLUG HERE

FUSELAGE SIDES 1/16" SHEET Balsa

3/64" DIA. TORQUE RODS

1/16" SQ. Balsa BRACE

FULE TANK LOCATION

1/8" SHEET Balsa DOUBLER

SWITCH

BABCOCK MARK II SUPER COMPOUND ESCAPEMENT

1/8" SQ. Balsa BRACES

1/16" SHEET Balsa DOUBLER

FIREWALL 1/8" PLYWOOD

FUSELAGE SIDE VIEW

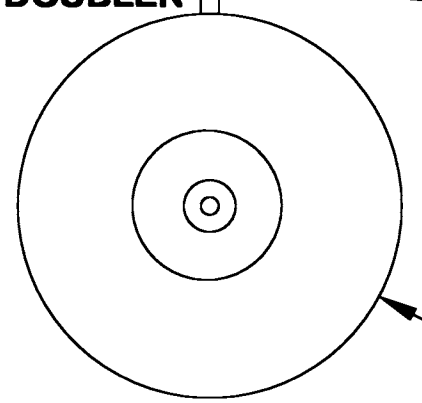
LANDING GEAR STRUT 3/32" DIA. WIRE

FUSELAGE BOTTOM 1/16" SHEET Balsa

1/16" DIA. WIRE STRUT

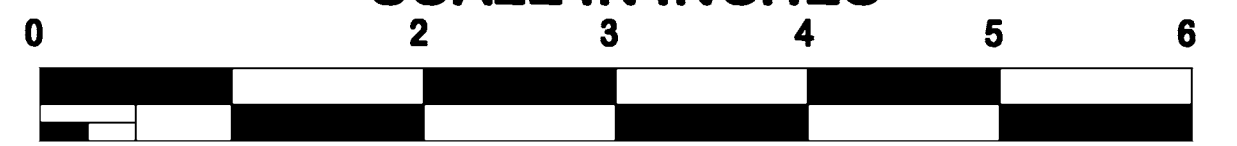
5/8" DIA. WHEEL

1/16" PLYWOOD TAIL PLATE



1/16" SHEET Balsa FORMERS

SCALE IN INCHES

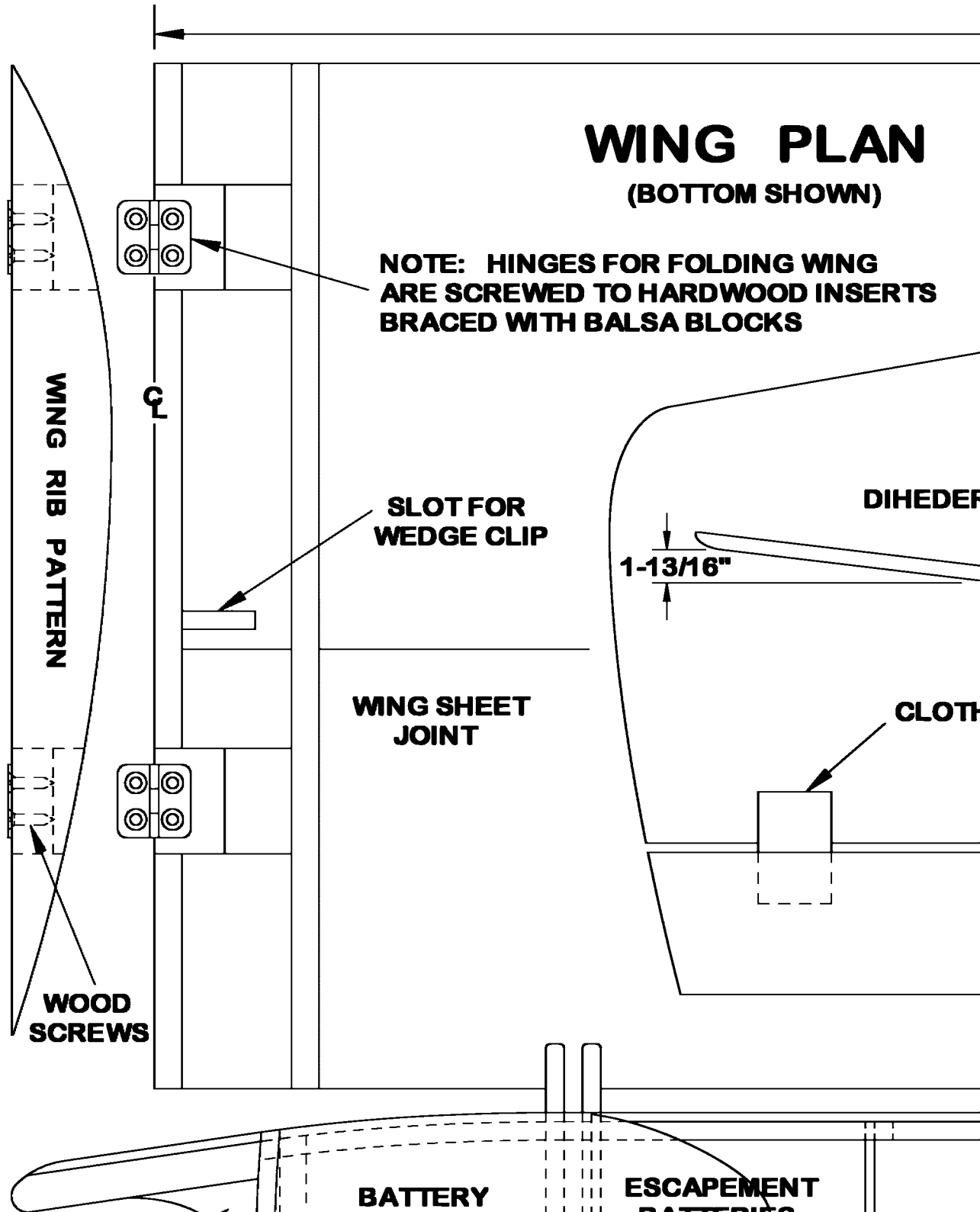


Traveler by Ken Willard
American Modeler Sept, 1957
Cad by Gene Rock

WING PLAN

(BOTTOM SHOWN)

NOTE: HINGES FOR FOLDING WING ARE SCREWED TO HARDWOOD INSERTS BRACED WITH Balsa BLOCKS



WING RIB PATTERN

W

SLOT FOR WEDGE CLIP

WING SHEET JOINT

WOOD SCREWS

1-13/16"

DIHEDRAL

CLOTH

BATTERY

ESCAPEMENT BATTERIES

16 - 7/8"

WING MADE WITH 3" AND 4"
WIDE SHEET OF 1/8" BALSA

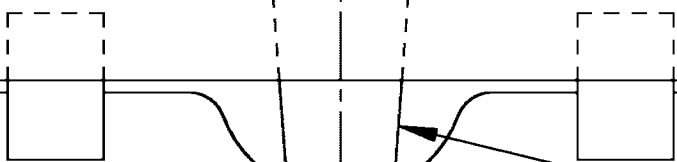
WING RIBS
3/16 SHEET B

AL SKETCH



STAB PLAN

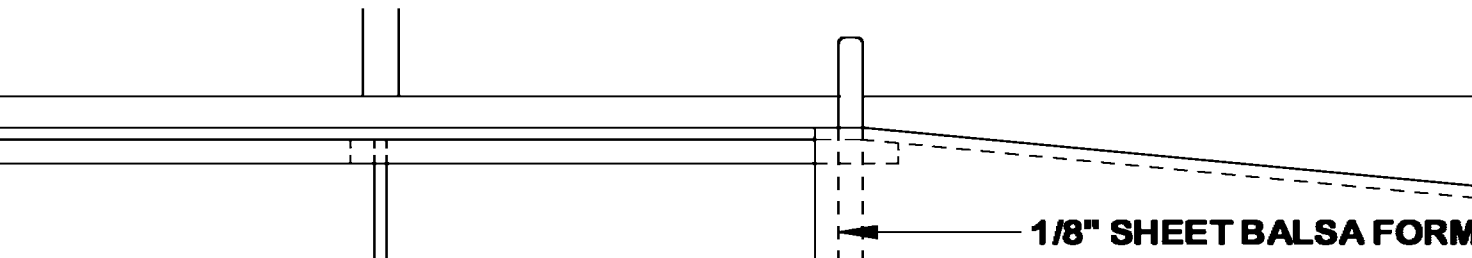
H TAPE HINGES



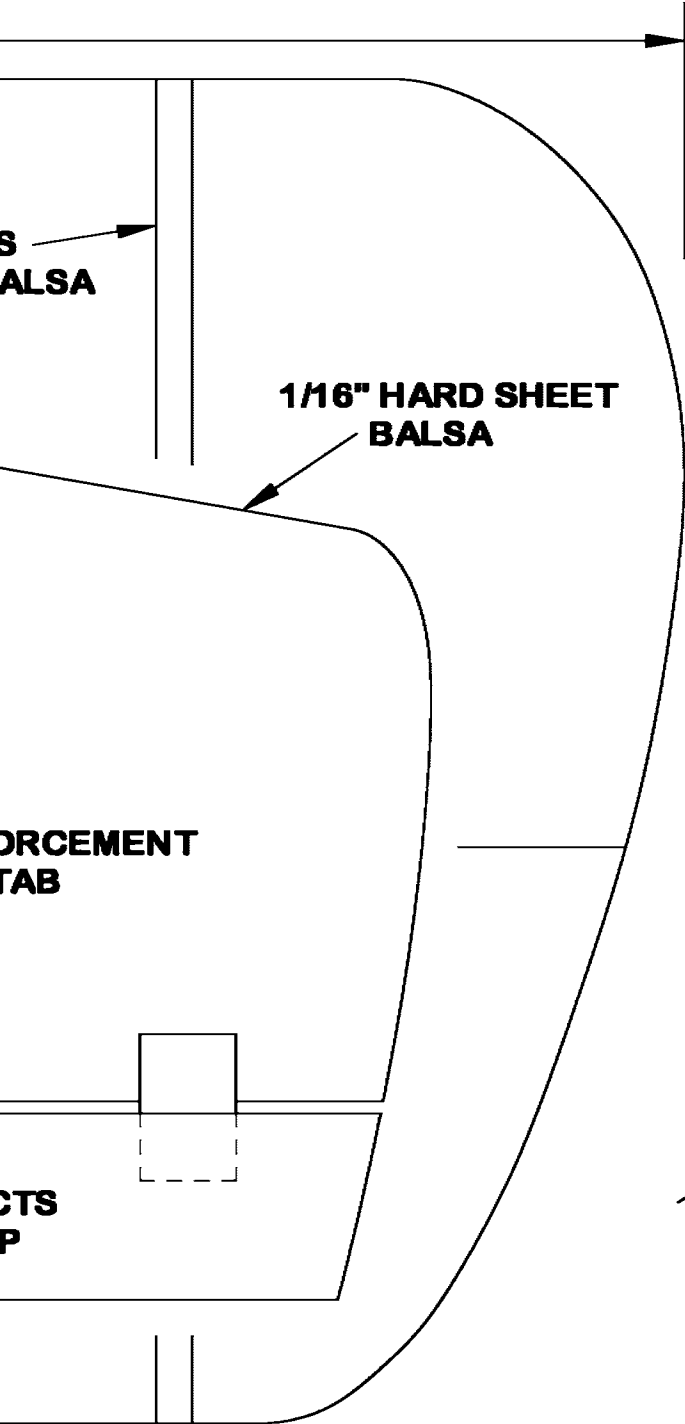
1/16" SHEET BALSA REINFORC
ON BOTTOM CENTER OF ST



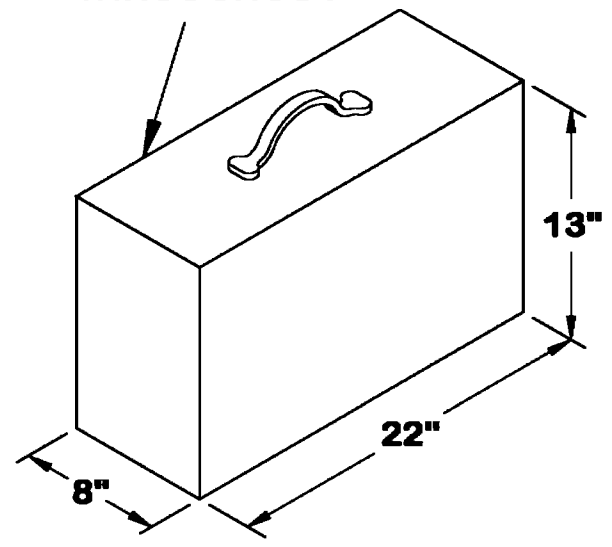
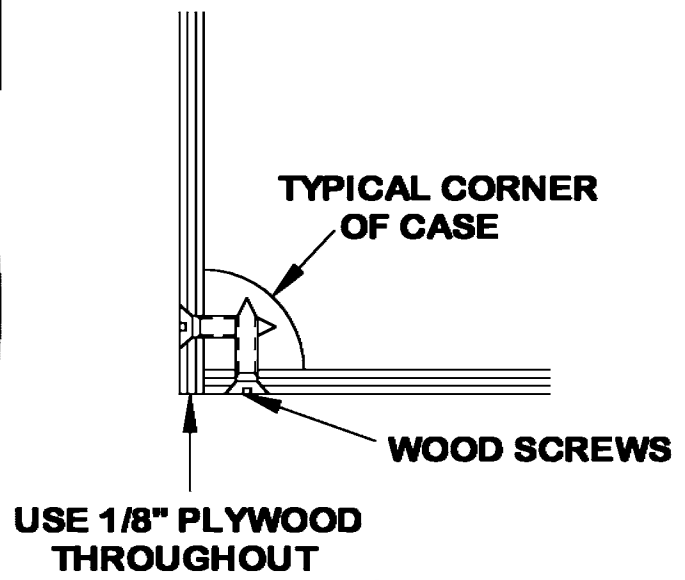
REINFORCEMENT AC
AS ELEVATOR STO



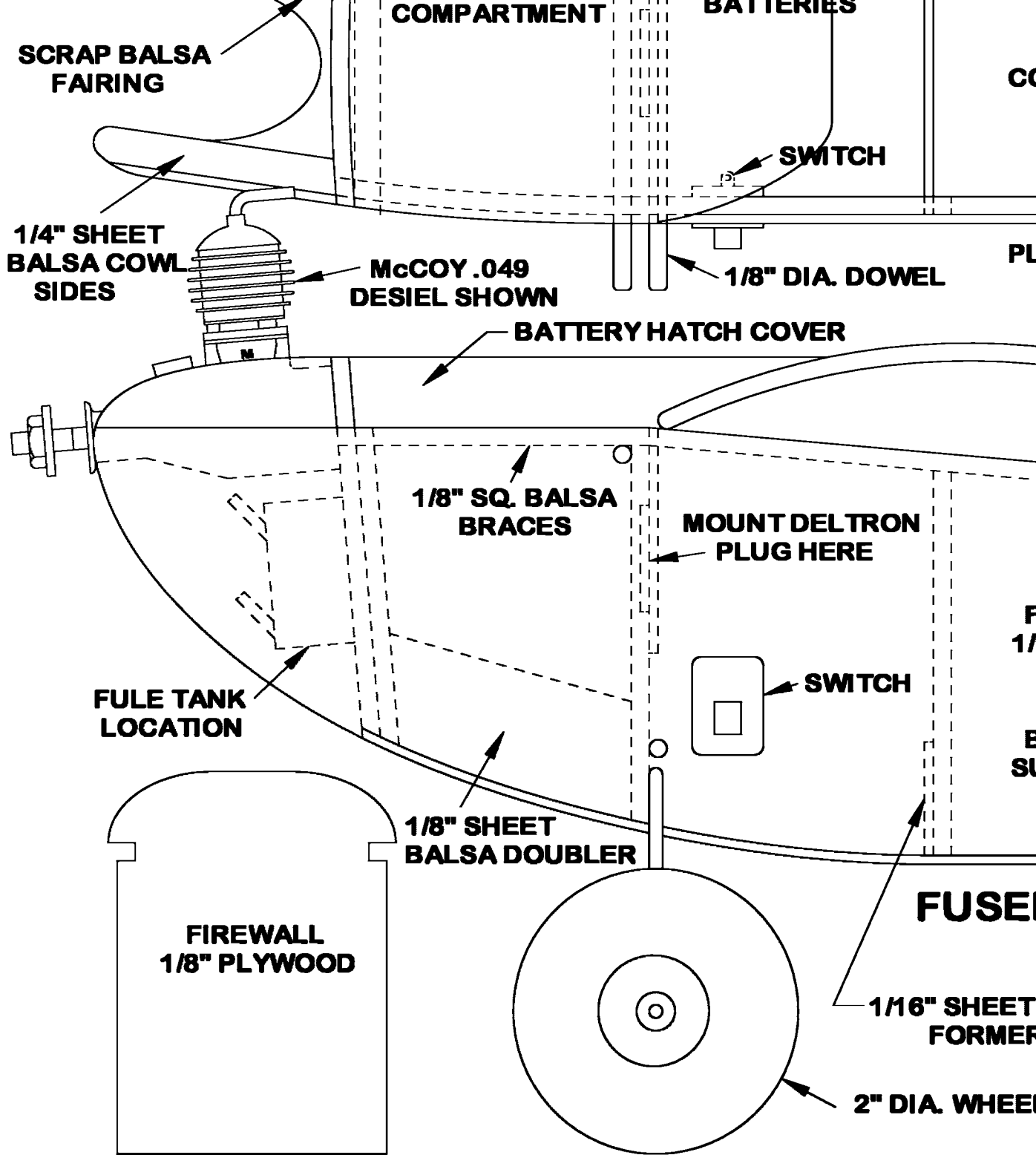
1/8" SHEET BALSA FORM



P. D. G.



CARRING CASE DETAILS



RADIO
COMPARTMENT

FUSELAGE TOP VIEW

BING STRUT WITH THREAD
TO 1/16" PLYWOOD SHEET

PLYWOOD WEDGE
CLIP

FUSELAGE
1/16" SHEET

CANOPY CUT TO FIT OR
CARVE FROM SOFT
BALSA

FUSELAGE SIDES
1/16" SHEET BALSA

3/64" DIA.
WIRE

BABCOCK MARK II
SUPER COMPOUND
ESCAPEMENT

1/8" SQ. BALSA
BRACES

FUSELAGE SIDE VIEW

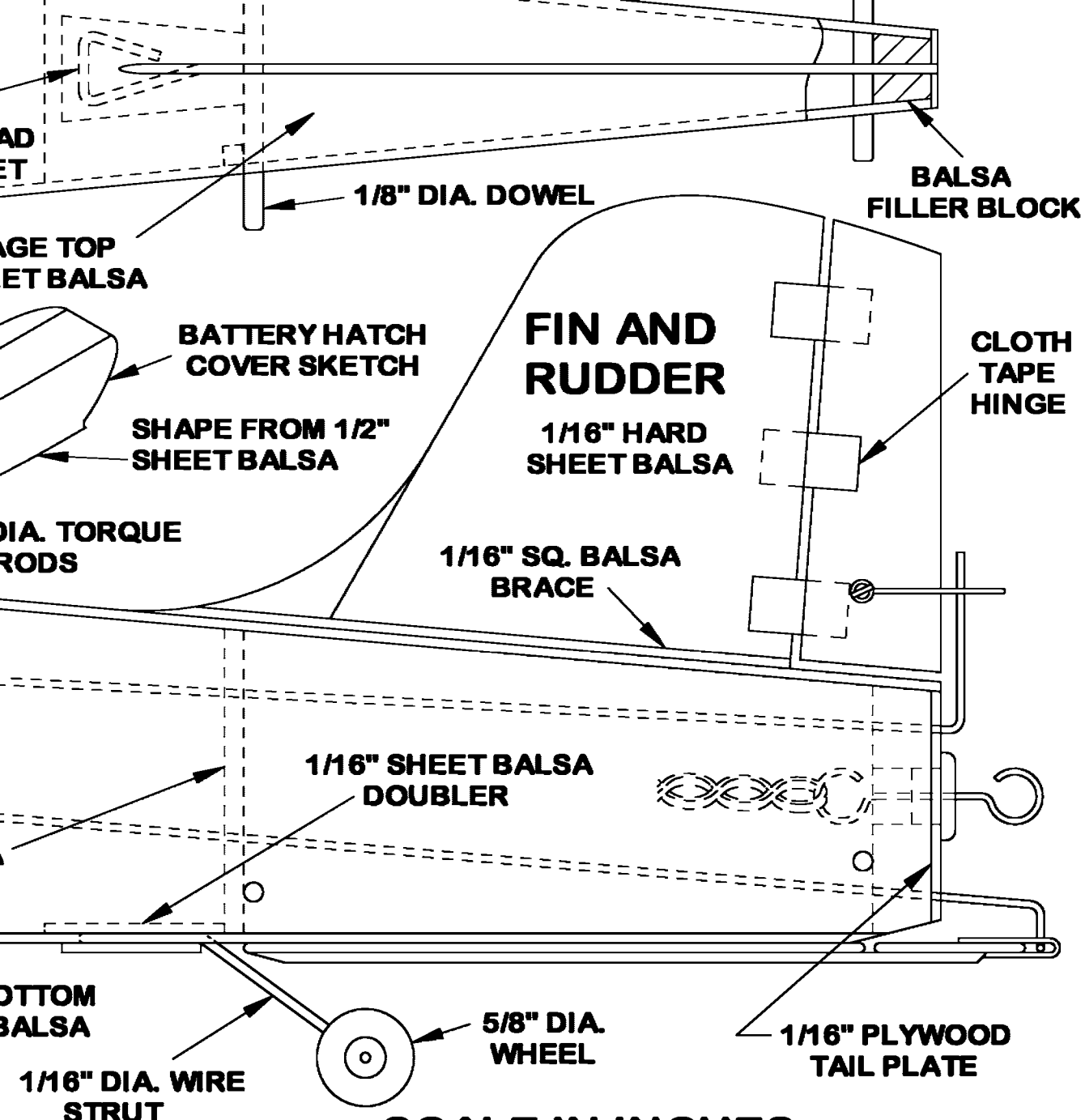
LANDING GEAR STRUT
3/32" DIA. WIRE

FUSELAGE BOARDS
1/16" SHEET BALSA

BALSA
BOARDS

BOARDS

Traveler by Ken Willard
American Modeler Sept, 1957
Cad by Gene Rock



SCALE IN INCHES

0 2 3 4 5 6

