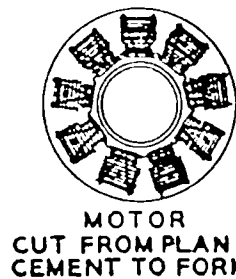
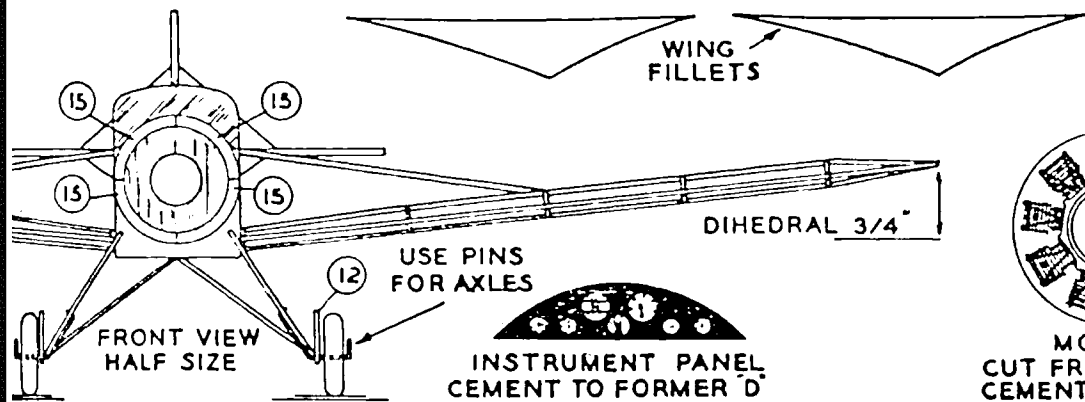
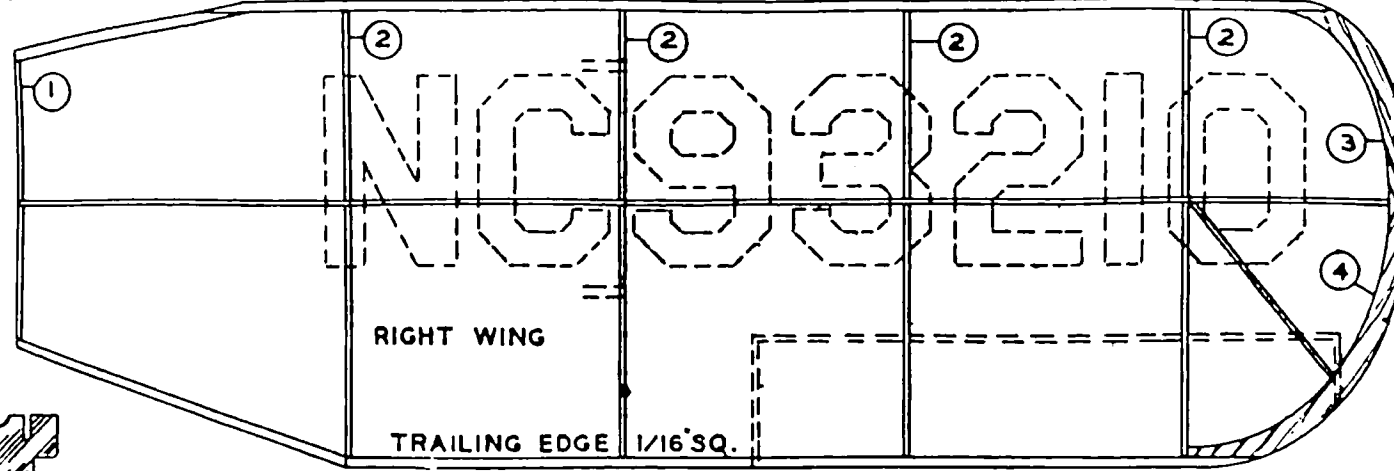
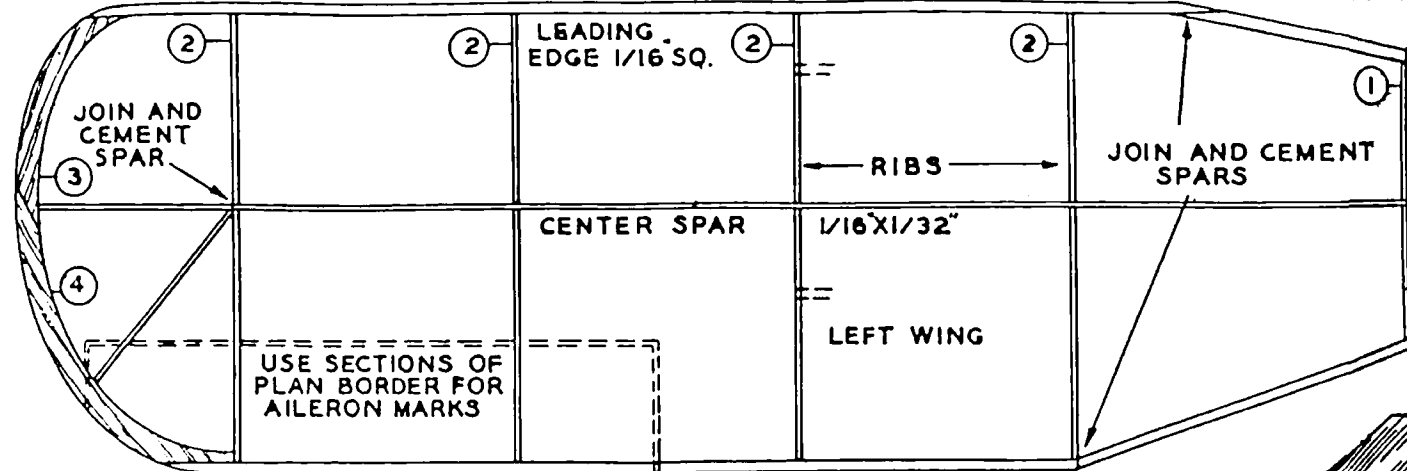
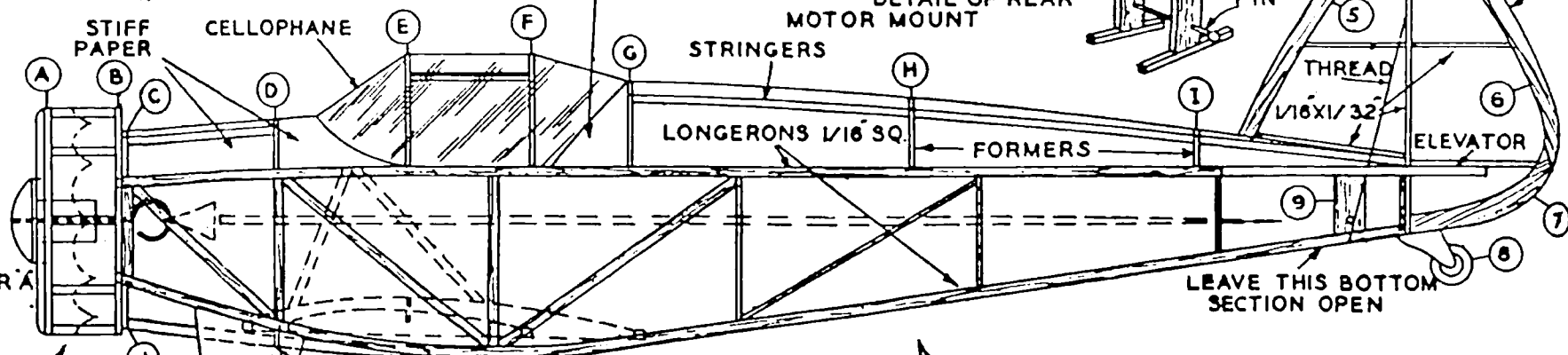


SLANT NO.1 RIBS AS IN FRONT VIEW



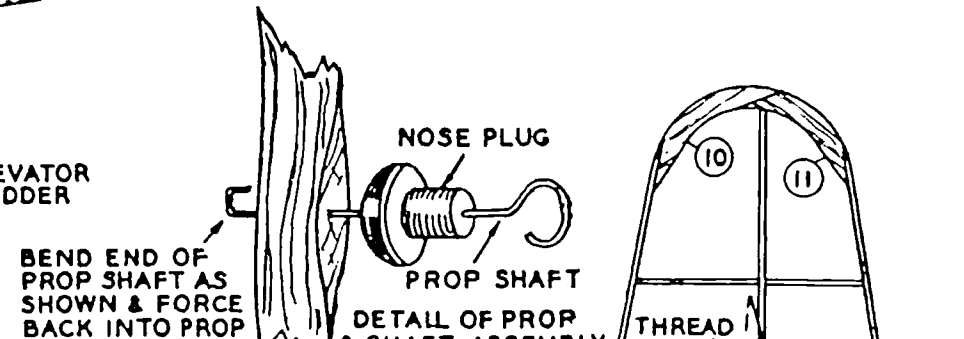
BREAK A RAZOR BLADE AS SHOWN AND USE FOR CUTTING OUT THE SMALL Balsa PARTS



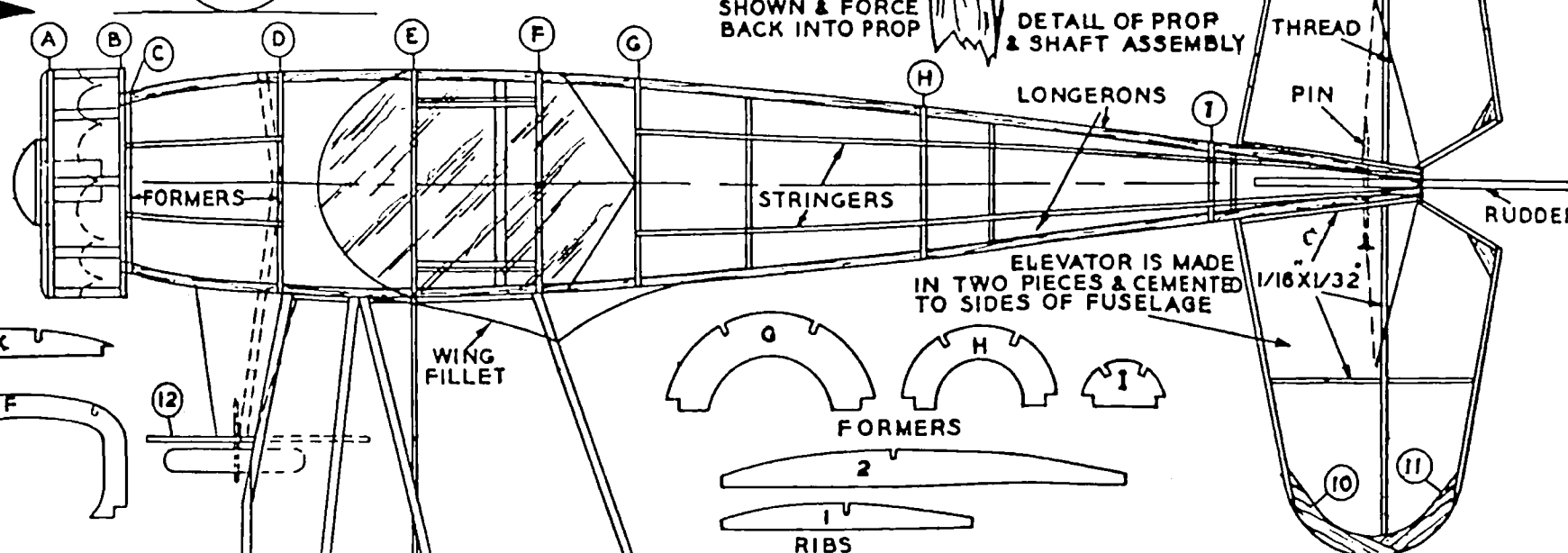
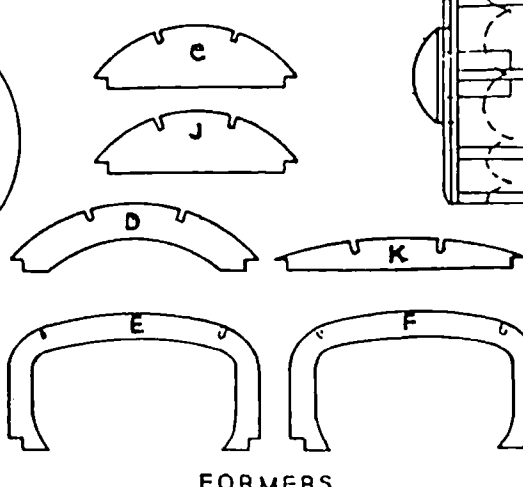
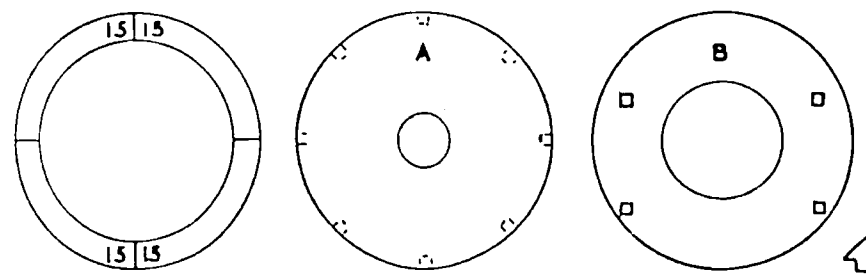
NC93210

THE COWL IS BUILT AS A SEPARATE UNIT COVER WITH STIFF PAPER BETWEEN FORMERS A & B

- NOTE - DO NOT CEMENT NOSE PLUG IN PLACE COVER WINGS AND ELEVATOR ON TOP SIDE ONLY - RUDDER ON LEFT SIDE ONLY



← BODY STRIPES →



NO. F77 ARROW

PAUL K. GUILLOW - - - WAKEFIELD MASS.

COPYRIGHT 1939 P.K.G.