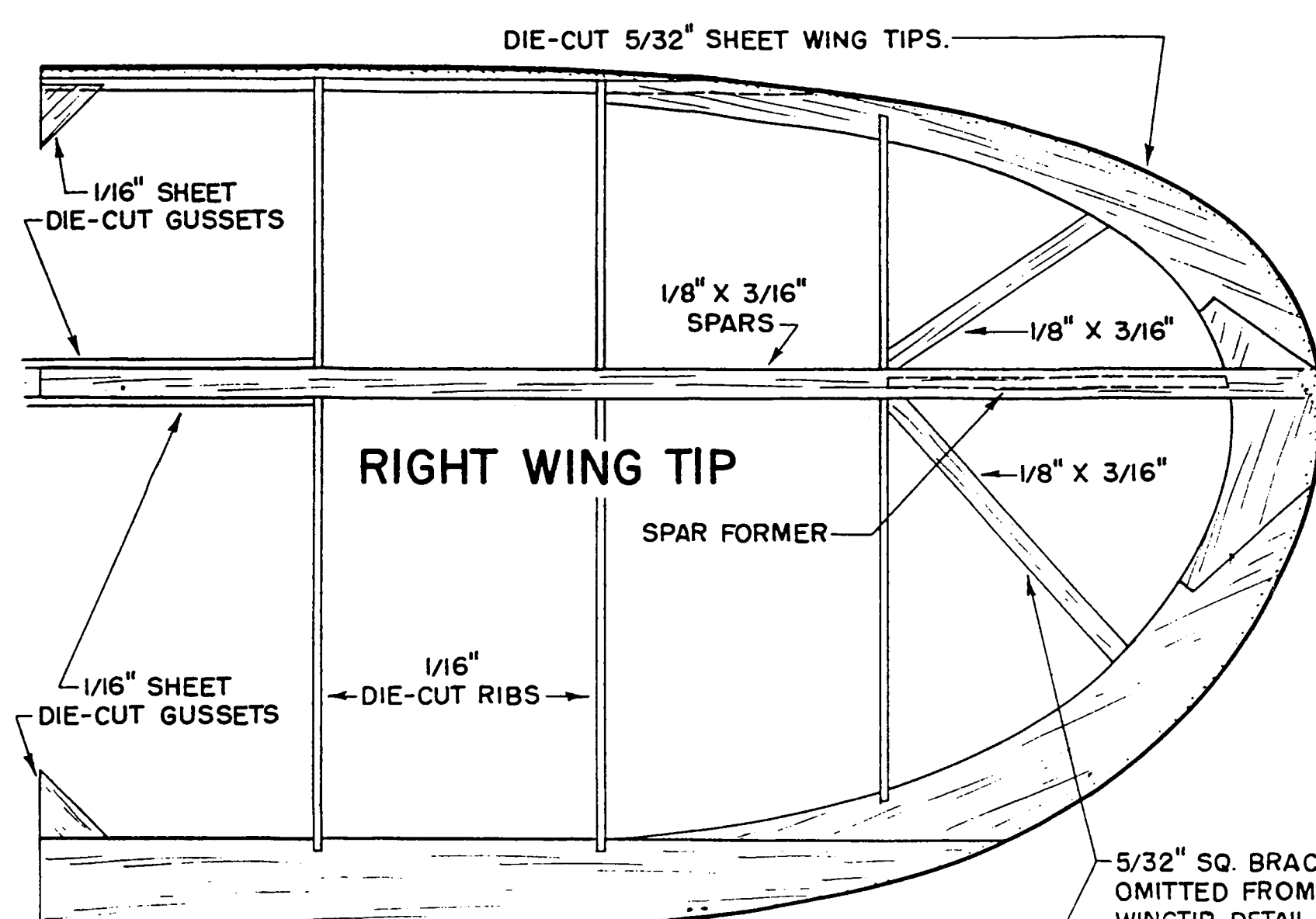
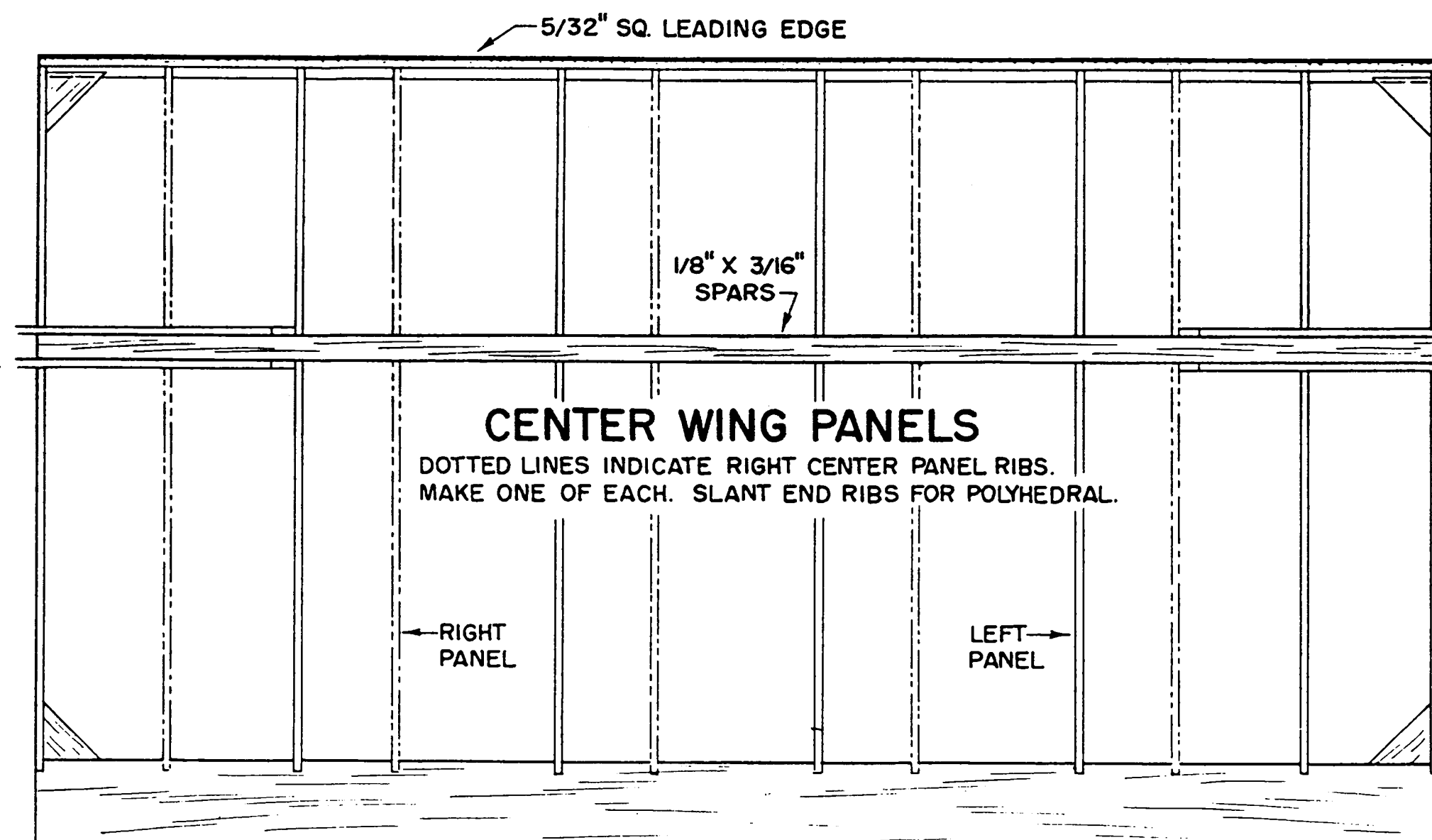
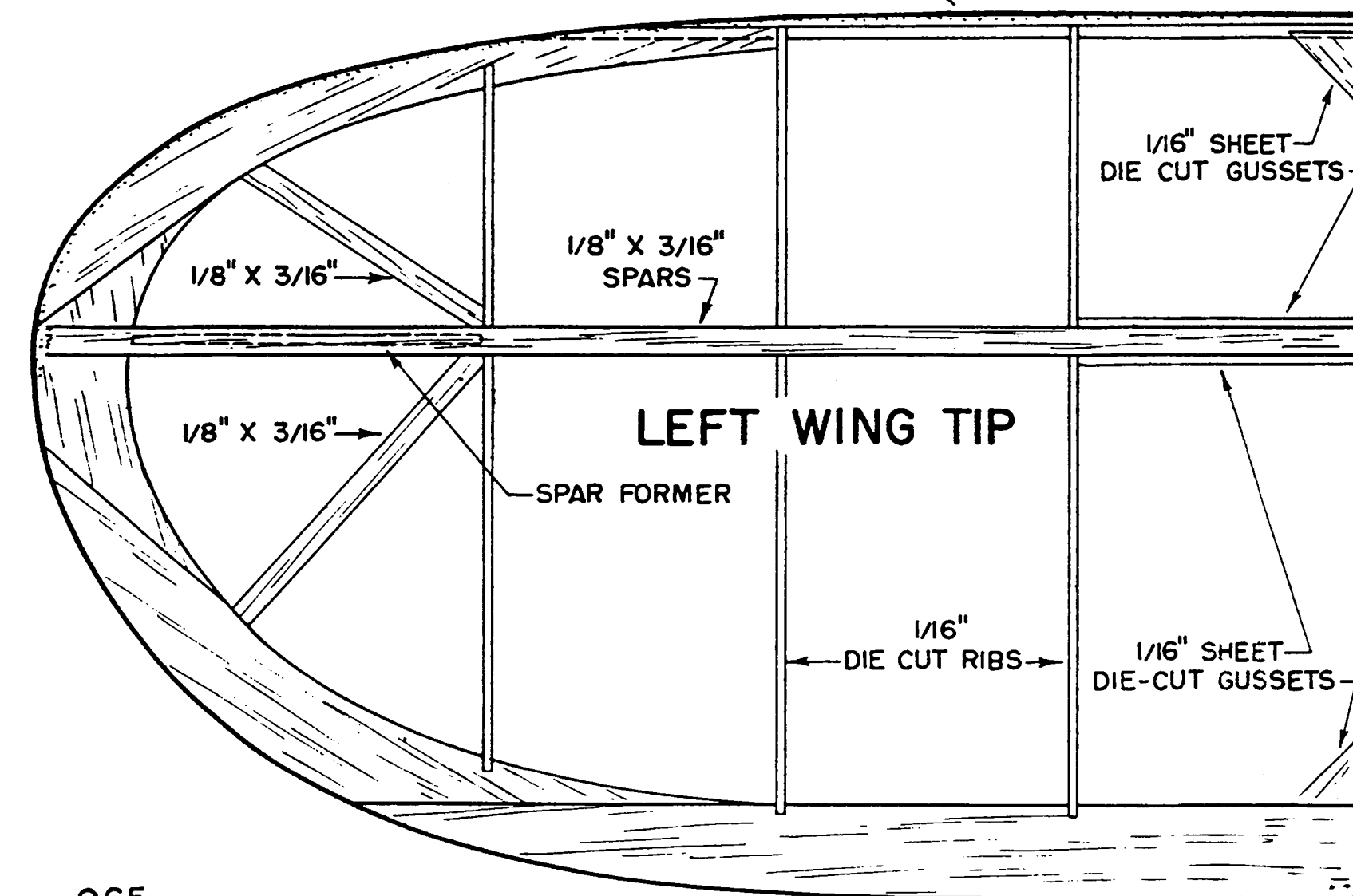
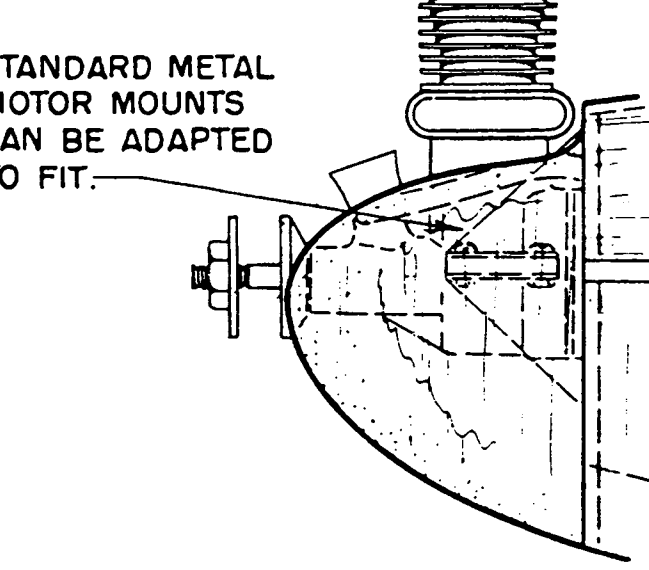


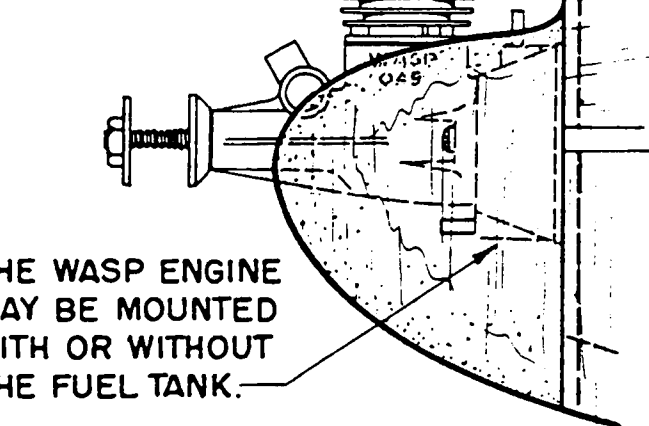
NOTE LEADING EDGE IS SET ON EDGE FOR MAXIMUM STRENGTH.



065 ROYAL SPIRITFIRE INSTALLATION

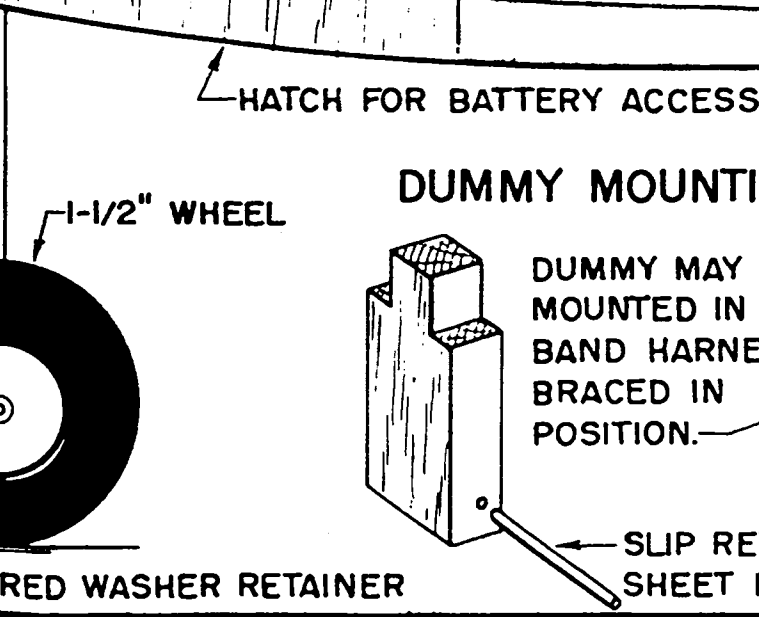
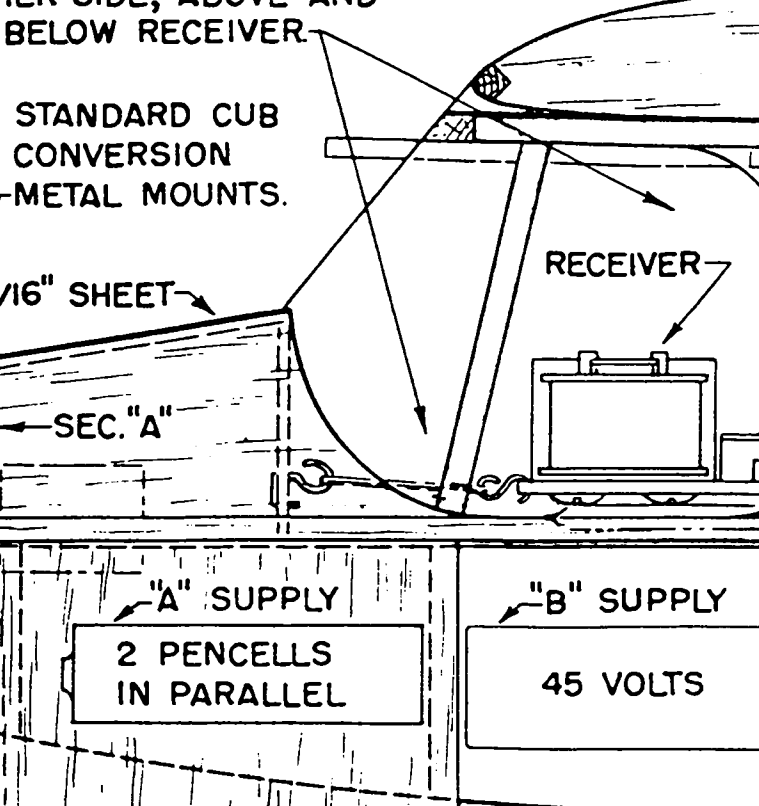
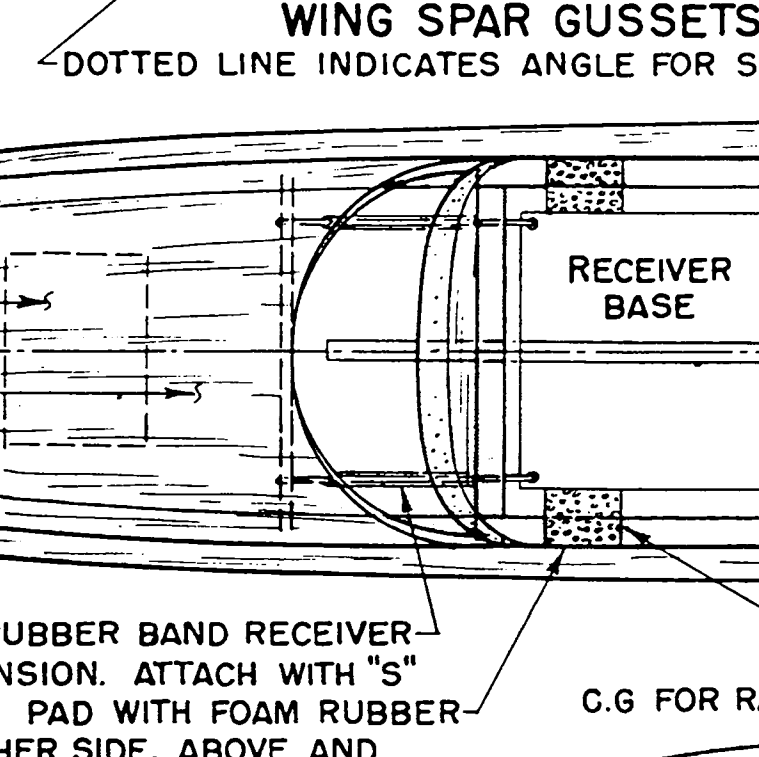
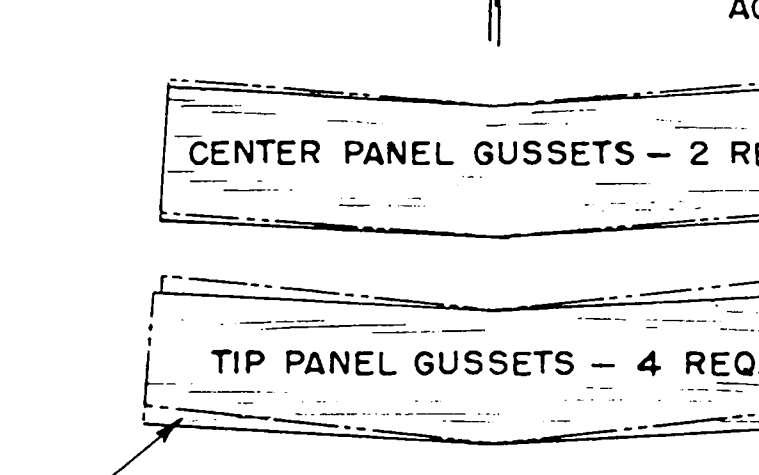
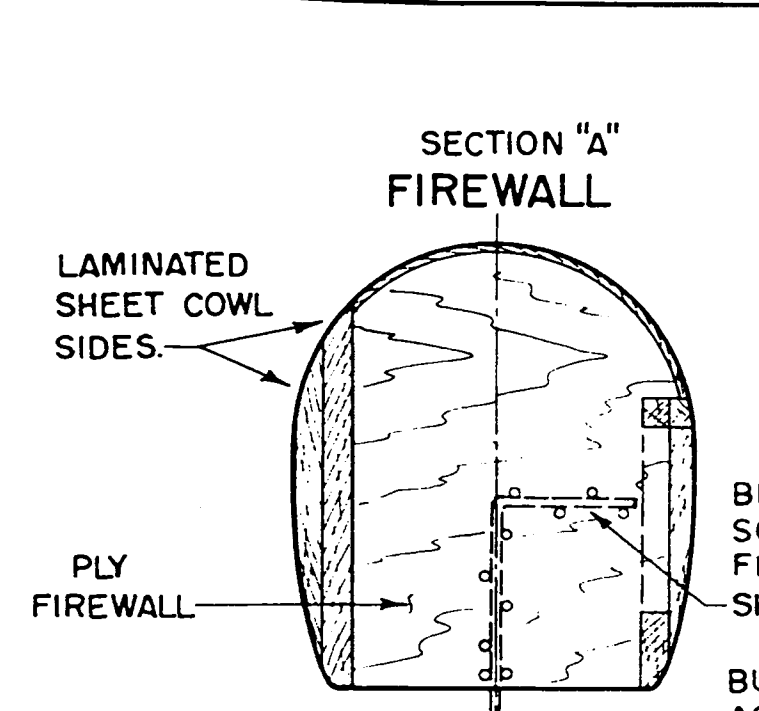
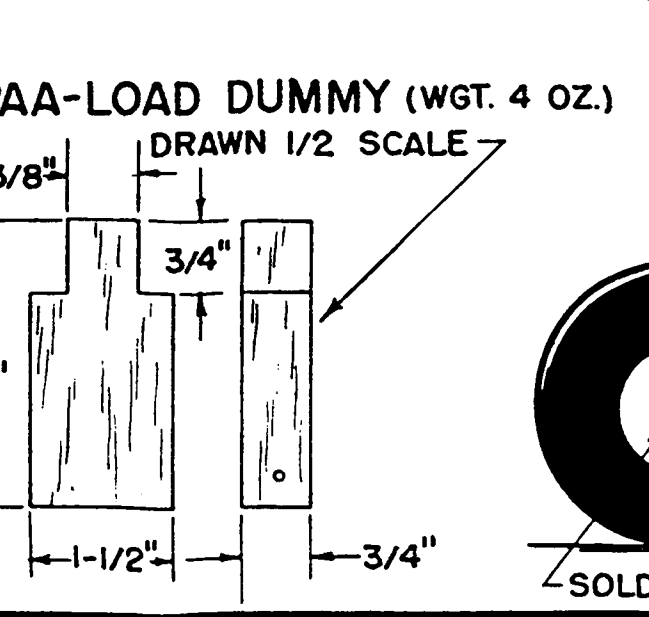
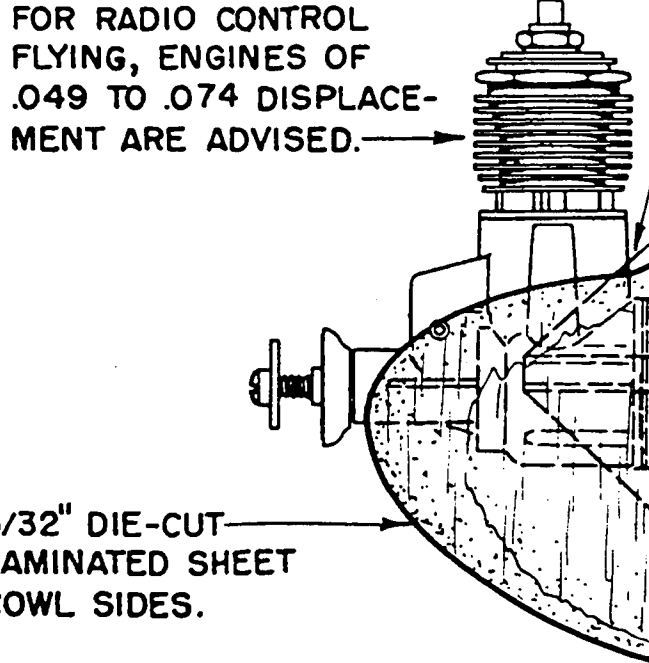


049 WASP INSTALLATION

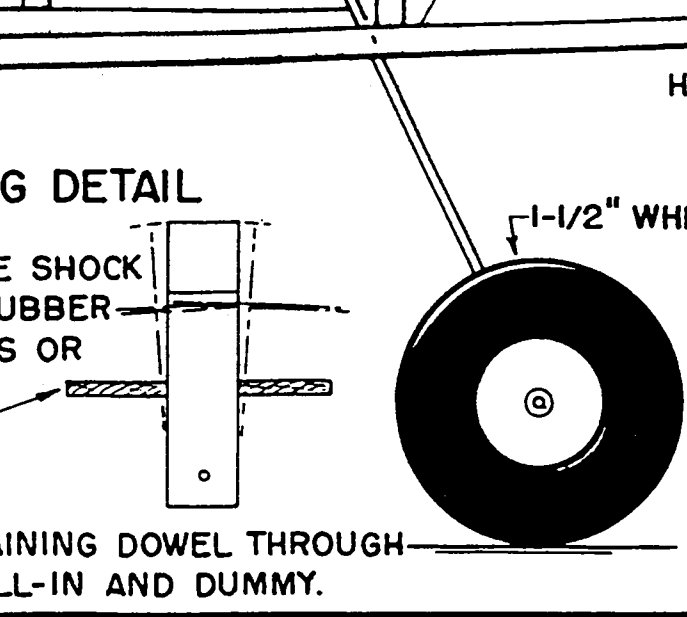
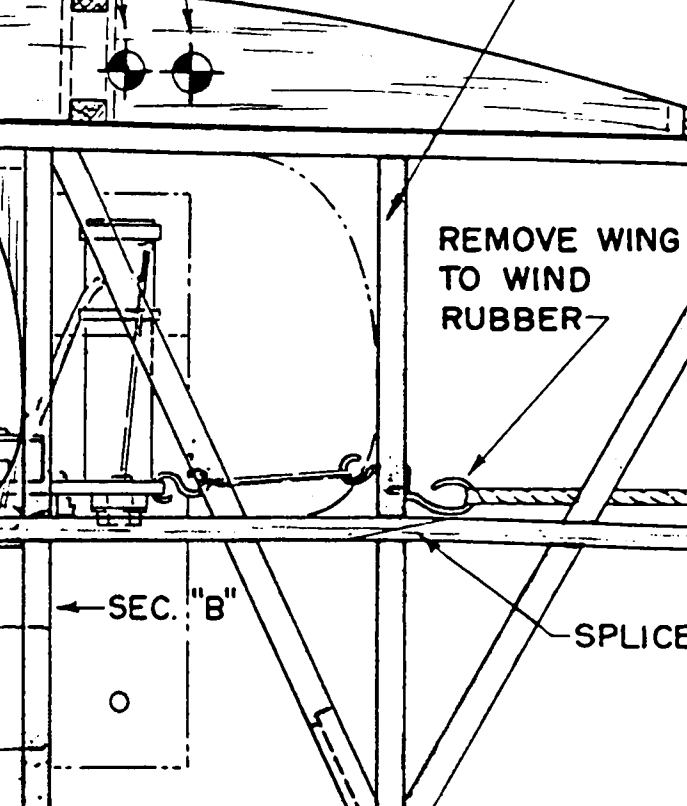
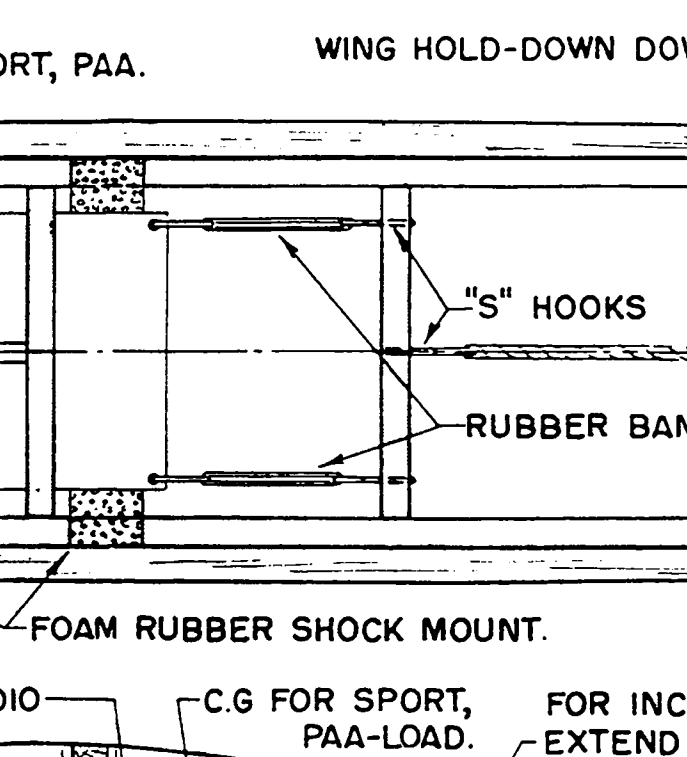
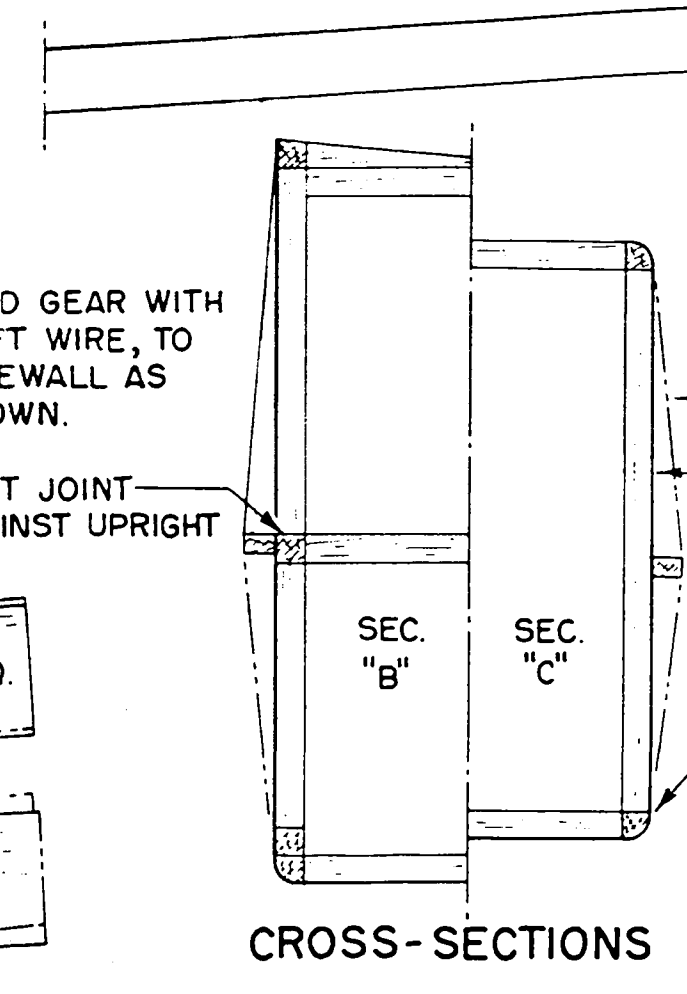


THE WASP ENGINE MAY BE MOUNTED WITH OR WITHOUT THE FUEL TANK. A TIMER TANK OF LIMITED CAPACITY, A FUEL CUT-OFF TIMER OR A D-E FUEL CUT-OFF AND TIMER COMBINATION MAY BE USED TO CONTROL THE ENGINE.

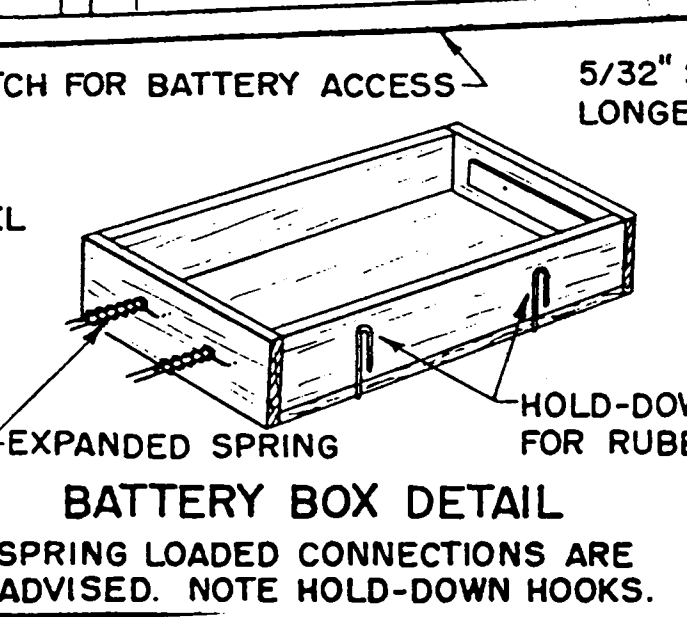
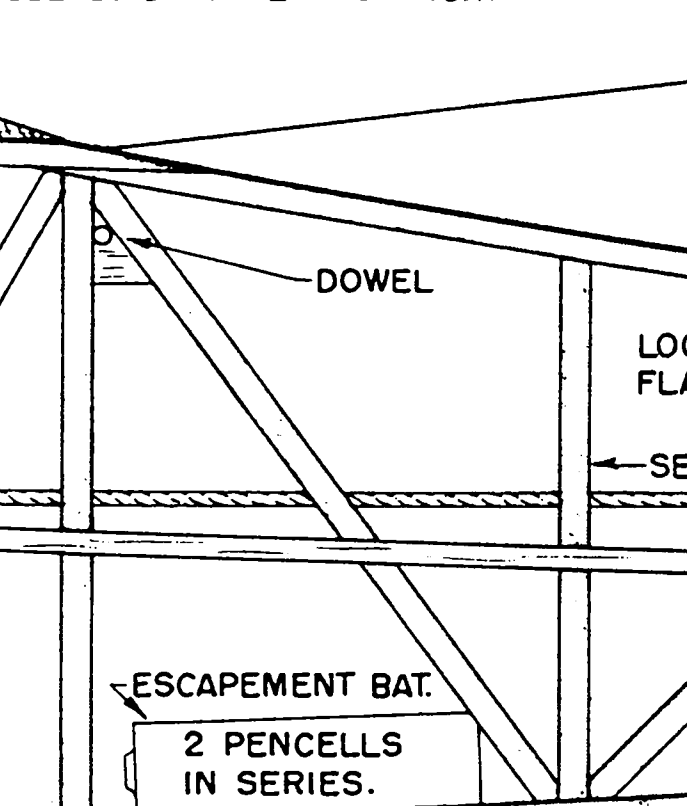
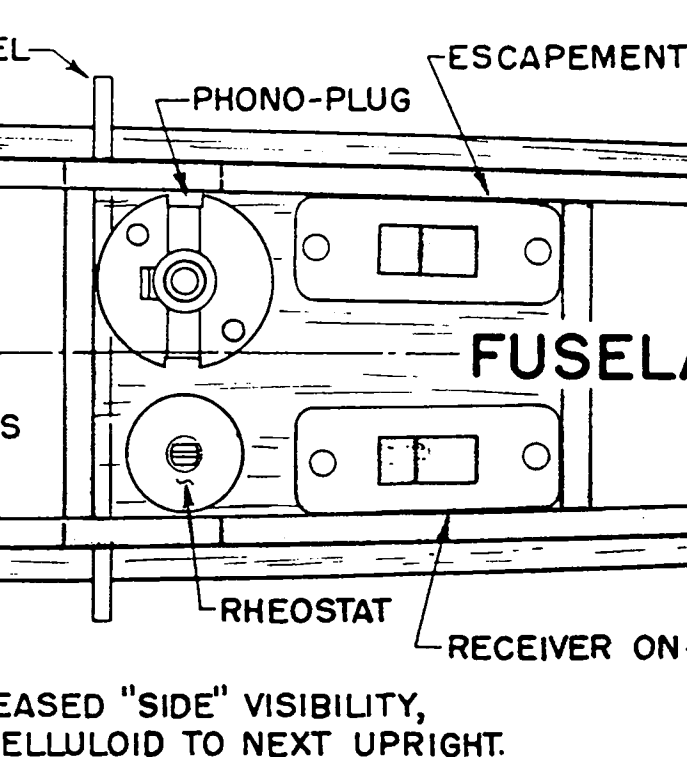
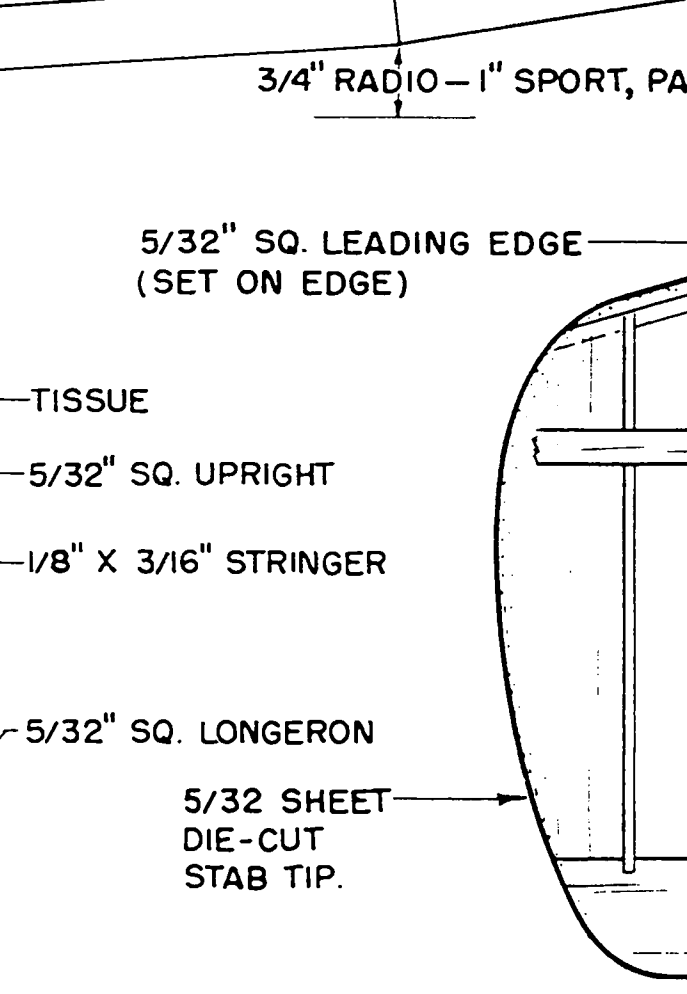
099 CUB INSTALLATION



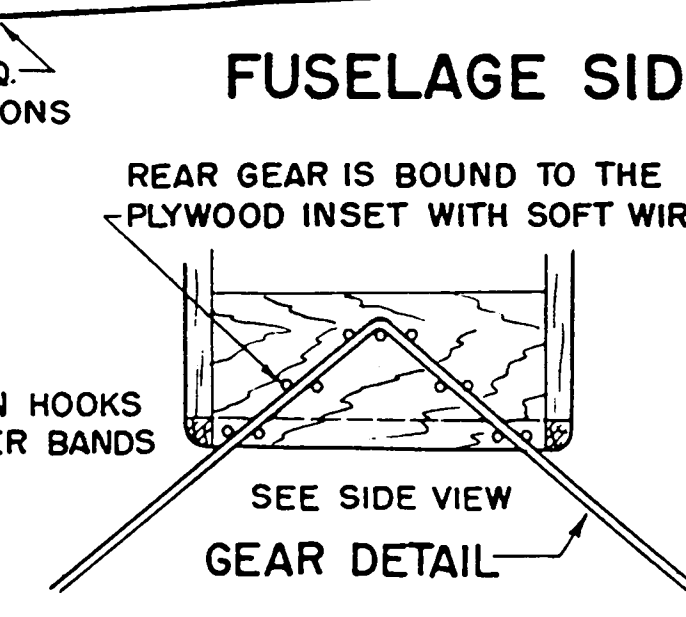
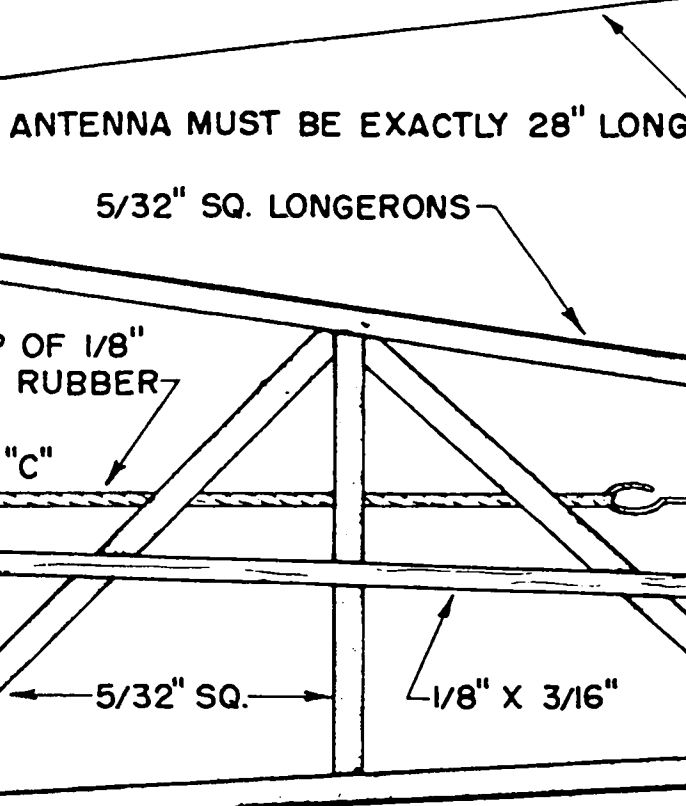
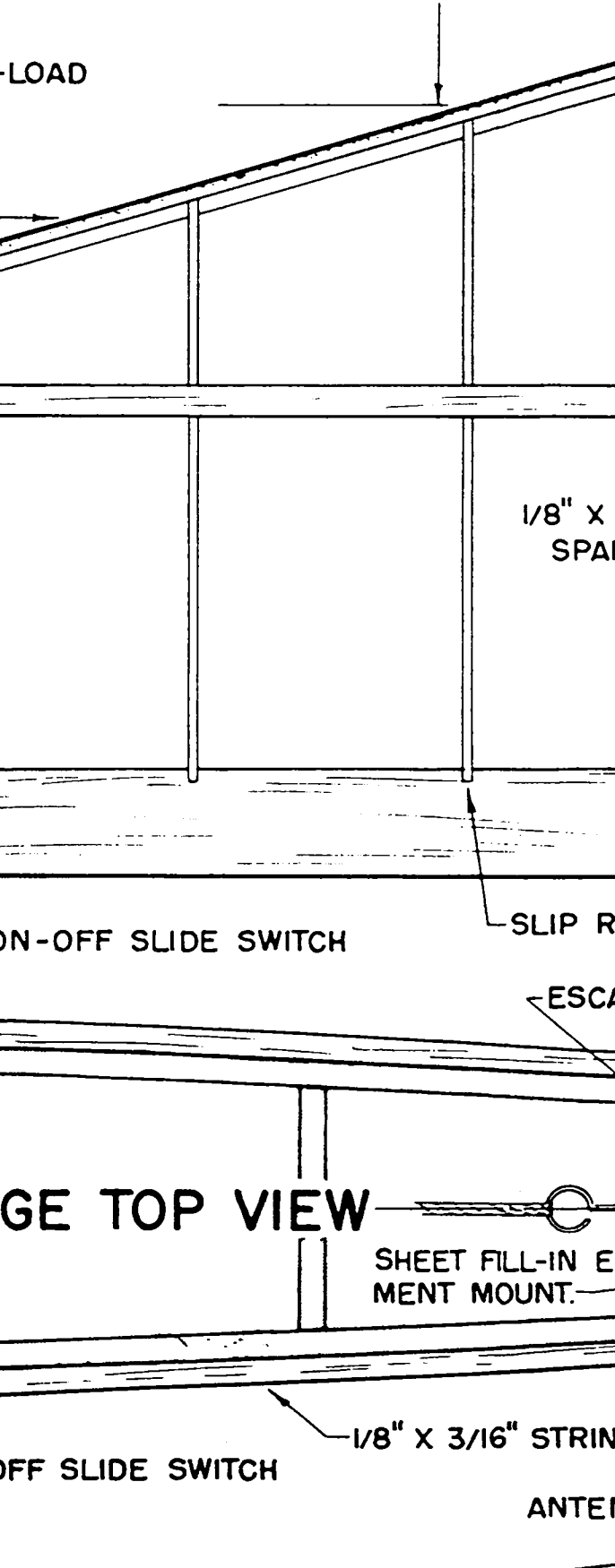
POLYHEDRAL DETAIL



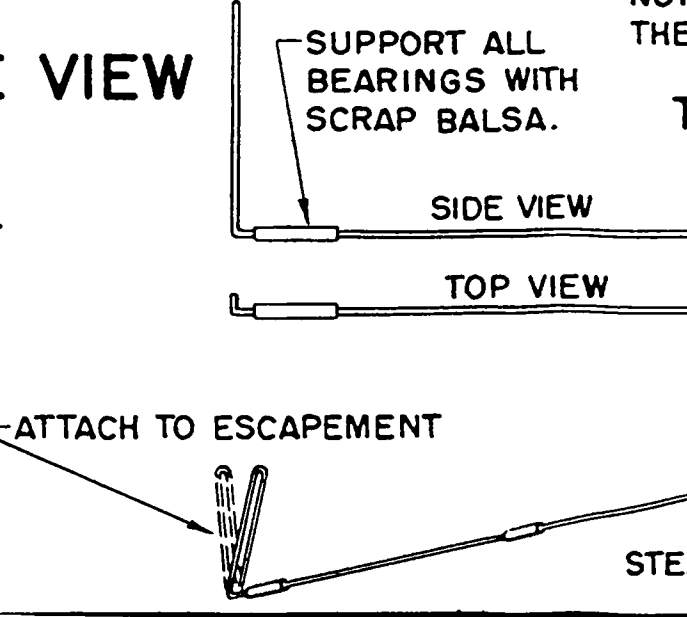
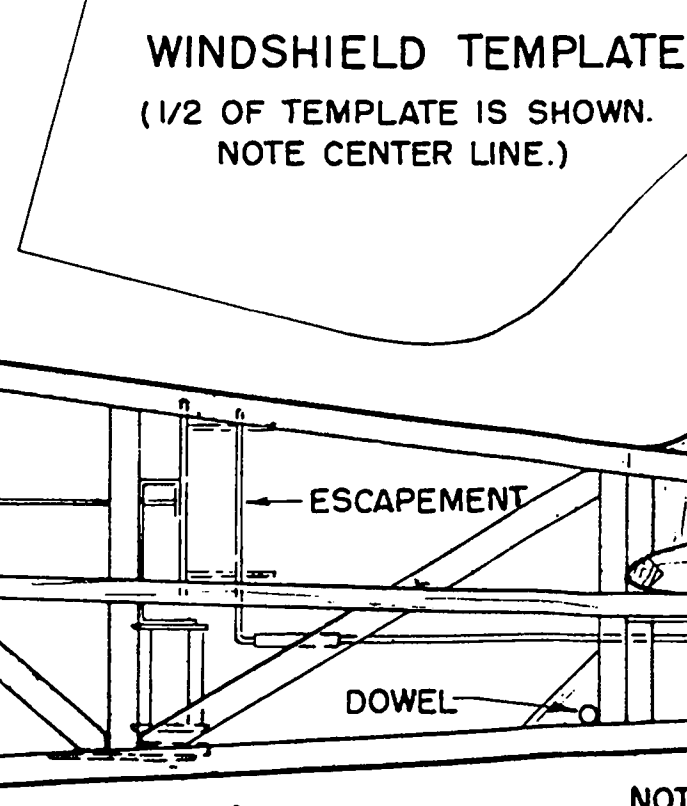
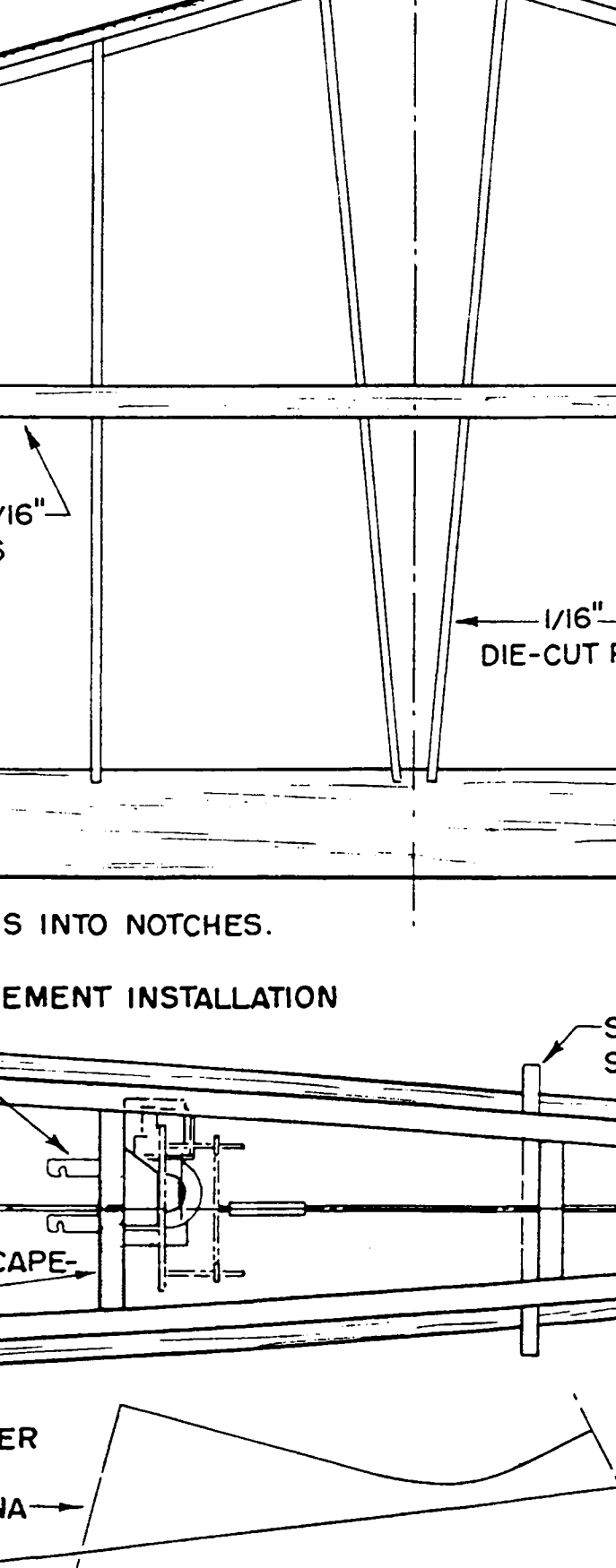
CROSS-SECTIONS



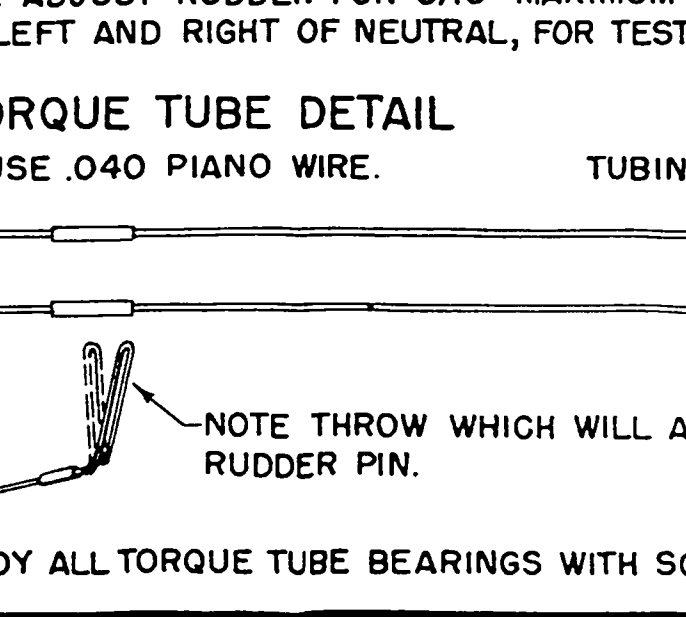
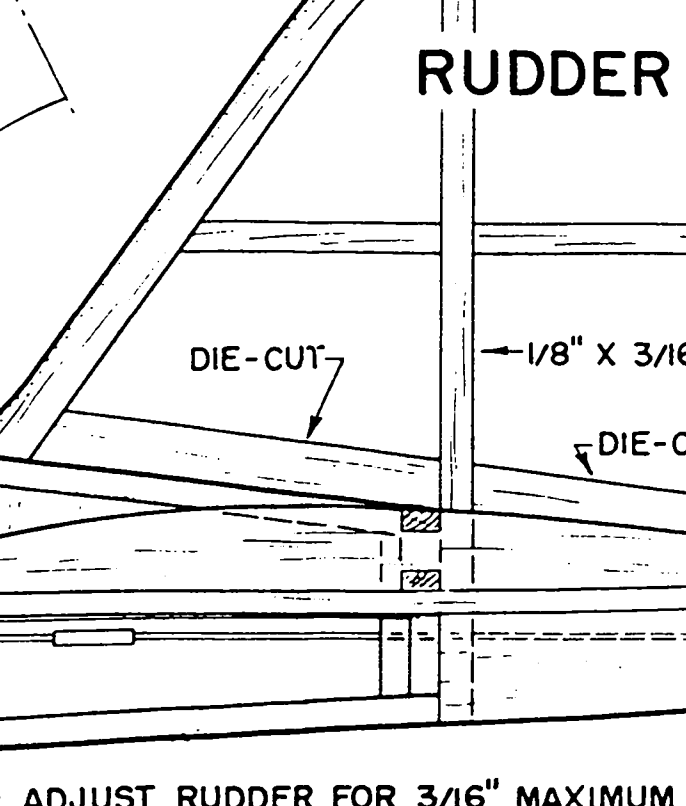
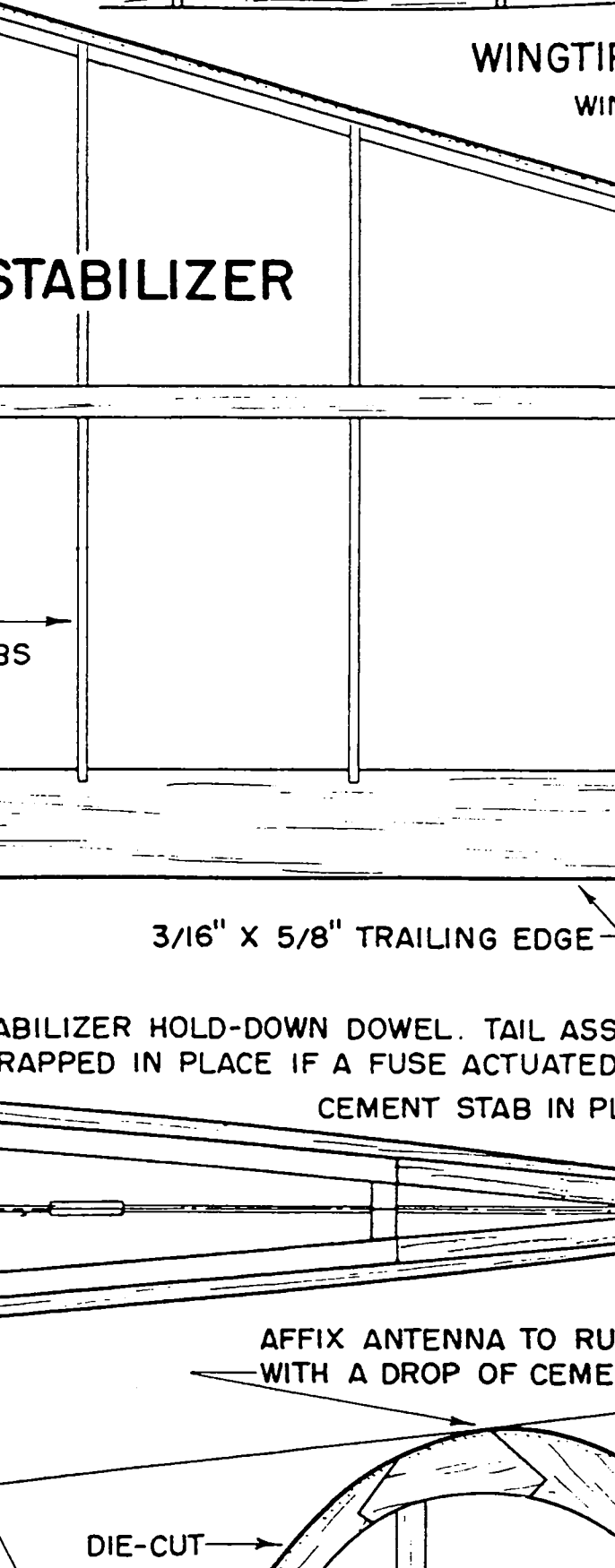
FUSELAGE TOP VIEW



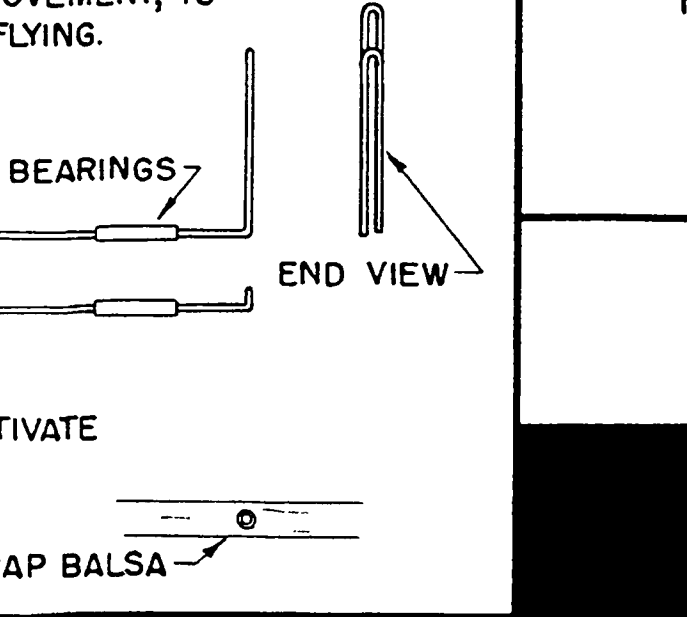
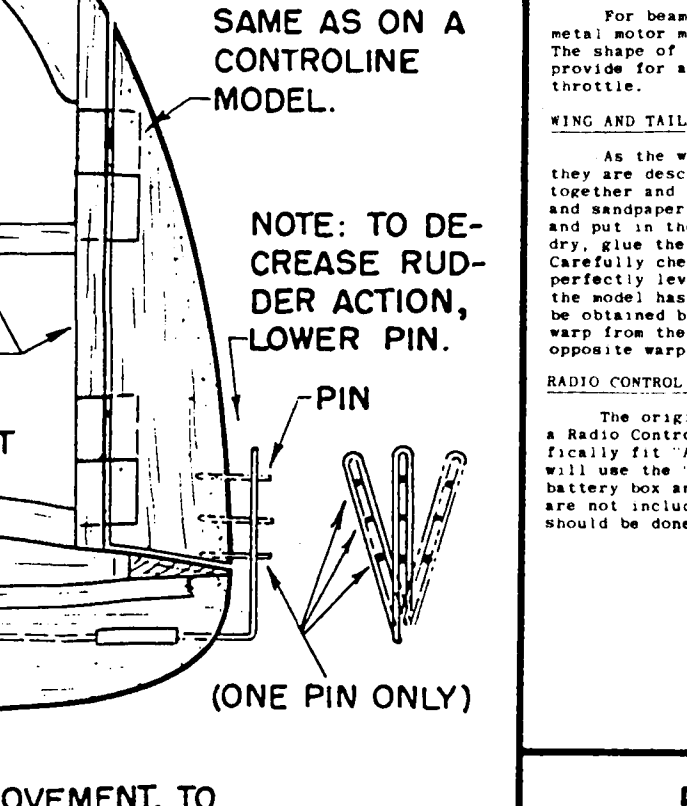
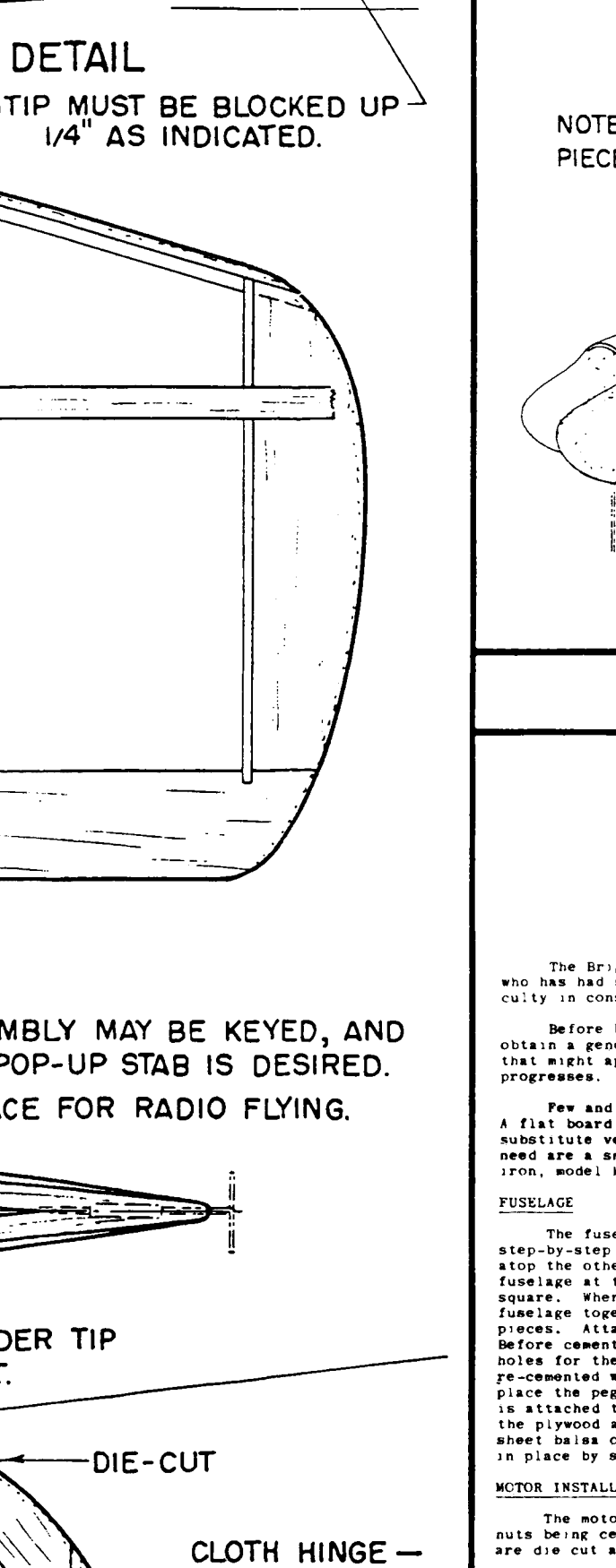
FUSELAGE SIDE VIEW



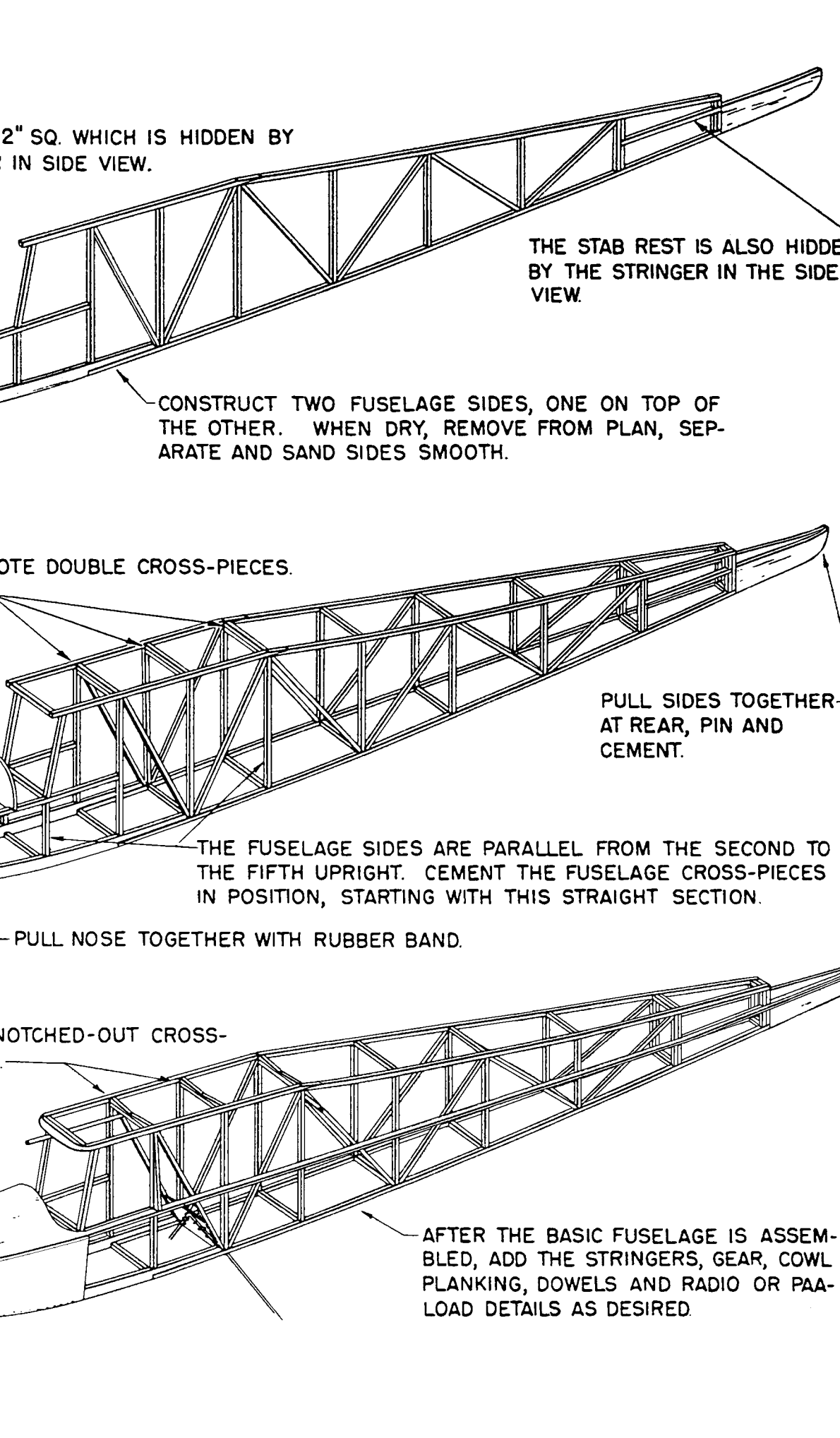
FUSELAGE SIDE VIEW



FUSELAGE SIDE VIEW



FUSELAGE CONSTRUCTION



BUILDING & FLYING INSTRUCTIONS:

COVERING: Attach the covering material to the model with cement. If the cement is too thick because of climatic conditions, thin it out about 1/2 with clear dope. Before beginning the actual work, study the plans to obtain a general idea of the construction. ... BUILDING: The fuselage is built of 5/32 square balsa. See the step-by-step pictures. Build both sides at the same time, one atop the other, to assure their being alike. ... FLYING: The model will fly on a 1/22 motor. ... PA-LOAD FLYING: The model meets the requirement for 1/22-A payload events. ... RADIO CONTROL FLYING: For radio control flying, the model should balance forward. ... RADIO CONTROL INSTALLATION: The original Brigadier 38 proved so satisfactory as a radio control model that the RC-38 was designed to specifically fit Aeromodel radio control.

FOR RADIO CONTROL... SPORT FLYING... PAA-LOAD BRIGADIER "RC-38" 035 TO .099 ENGINES - 38" WINGSPAN DESIGNED & ENGINEERED BY: BILL EFFINGER DRAWN BY: DON MCGOVERN COPYRIGHT 1952 - REPRODUCTION FOR RESALE FORBIDDEN. BERKELEY MODELS Inc., WEST HEMPSTEAD, NEW YORK, U. S. A.