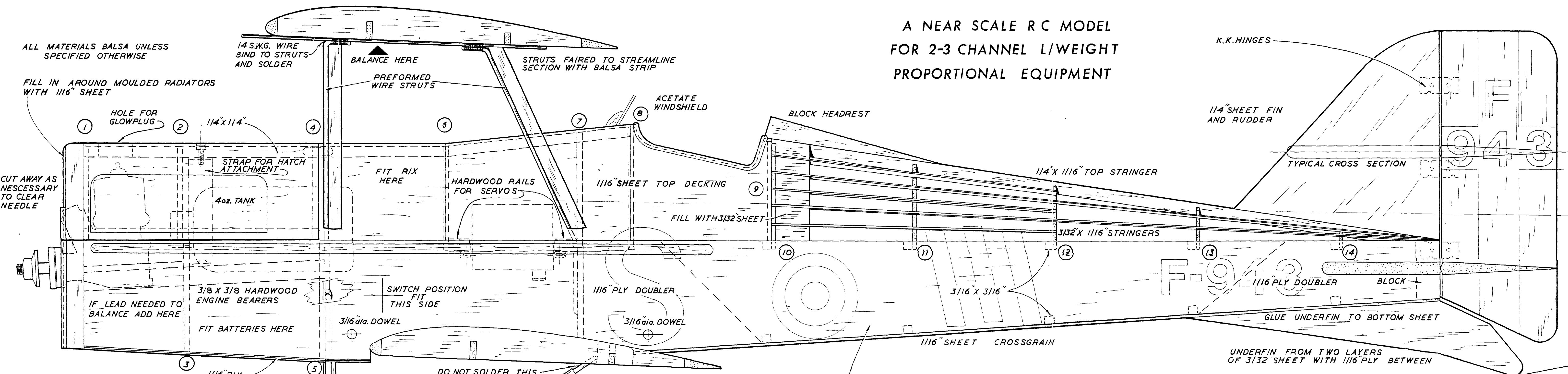


FOR ENGINES 10-15 cu. ins.

A NEAR SCALE RC MODEL
FOR 2-3 CHANNEL L/WEIGHT
PROPORTIONAL EQUIPMENT



FILL IN AROUND MOULDED RADIATORS WITH 11/16" SHEET

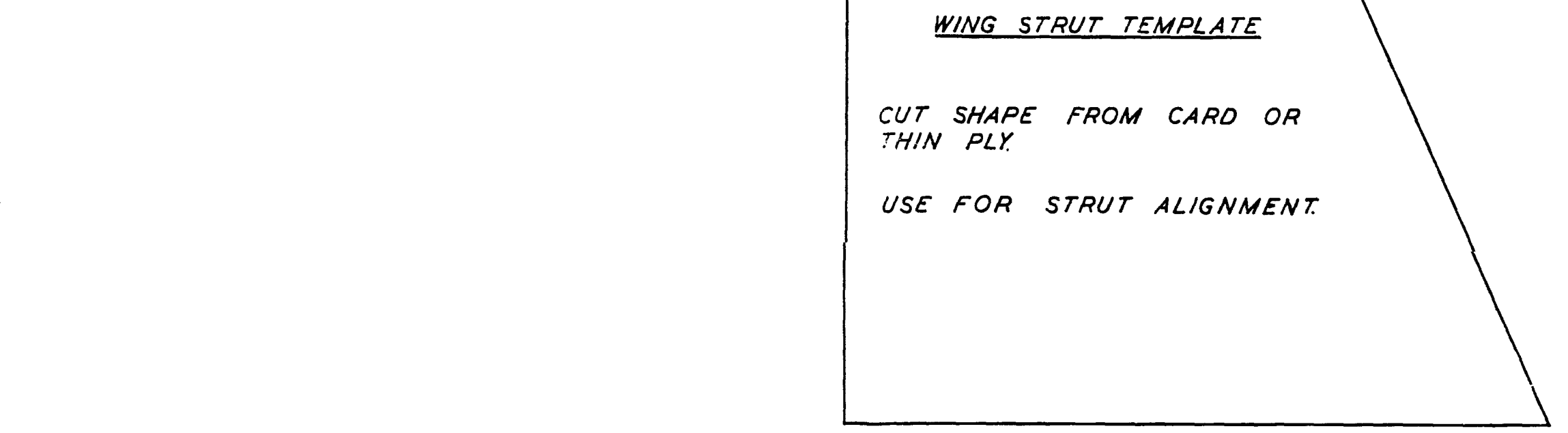
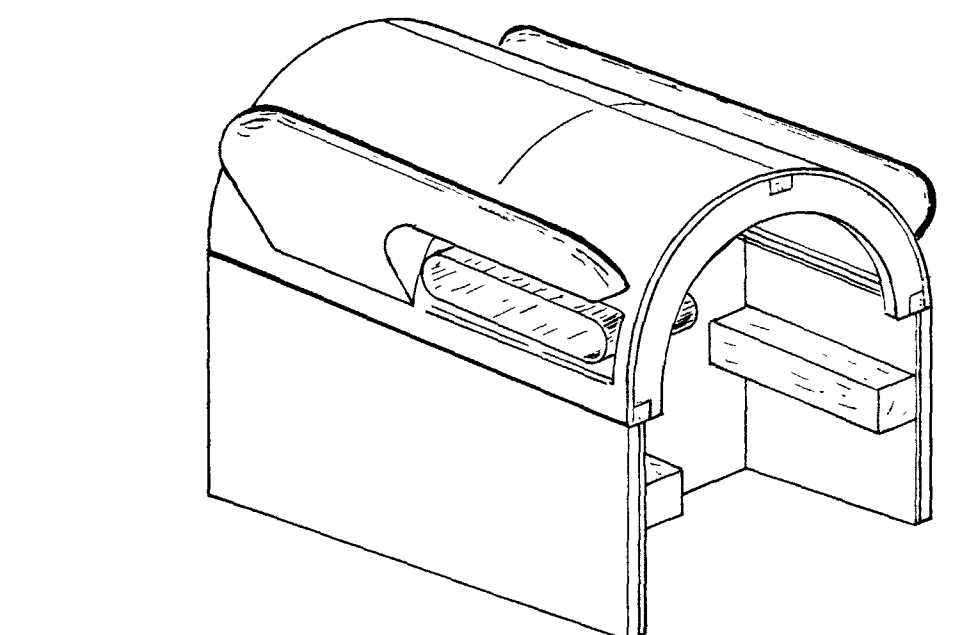
CUT AWAY AS NECESSARY TO CLEAR NEEDLE

IF LEAD NEEDED TO BALANCE ADD HERE

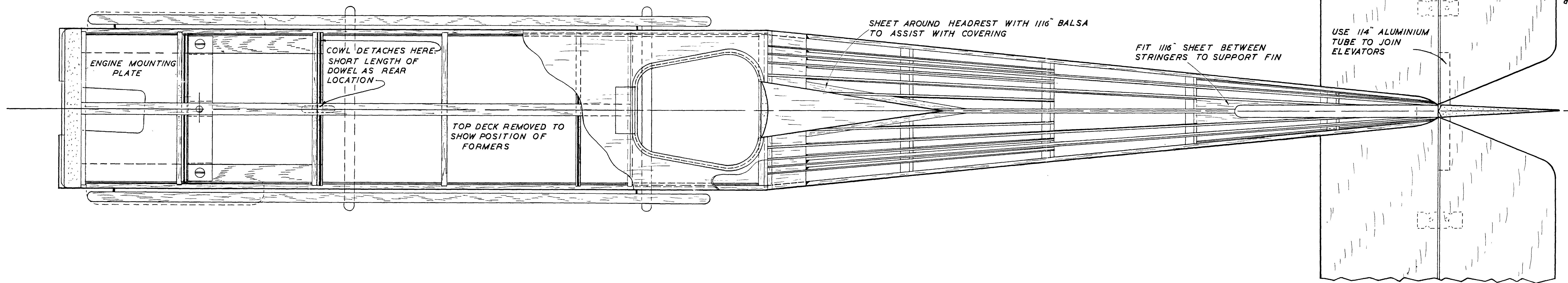
STRUTS AND UNDERCARRIAGE BOUND TO FORMERS WITH CORD OR SOFT WIRE

K.K. SCALE WHEELS

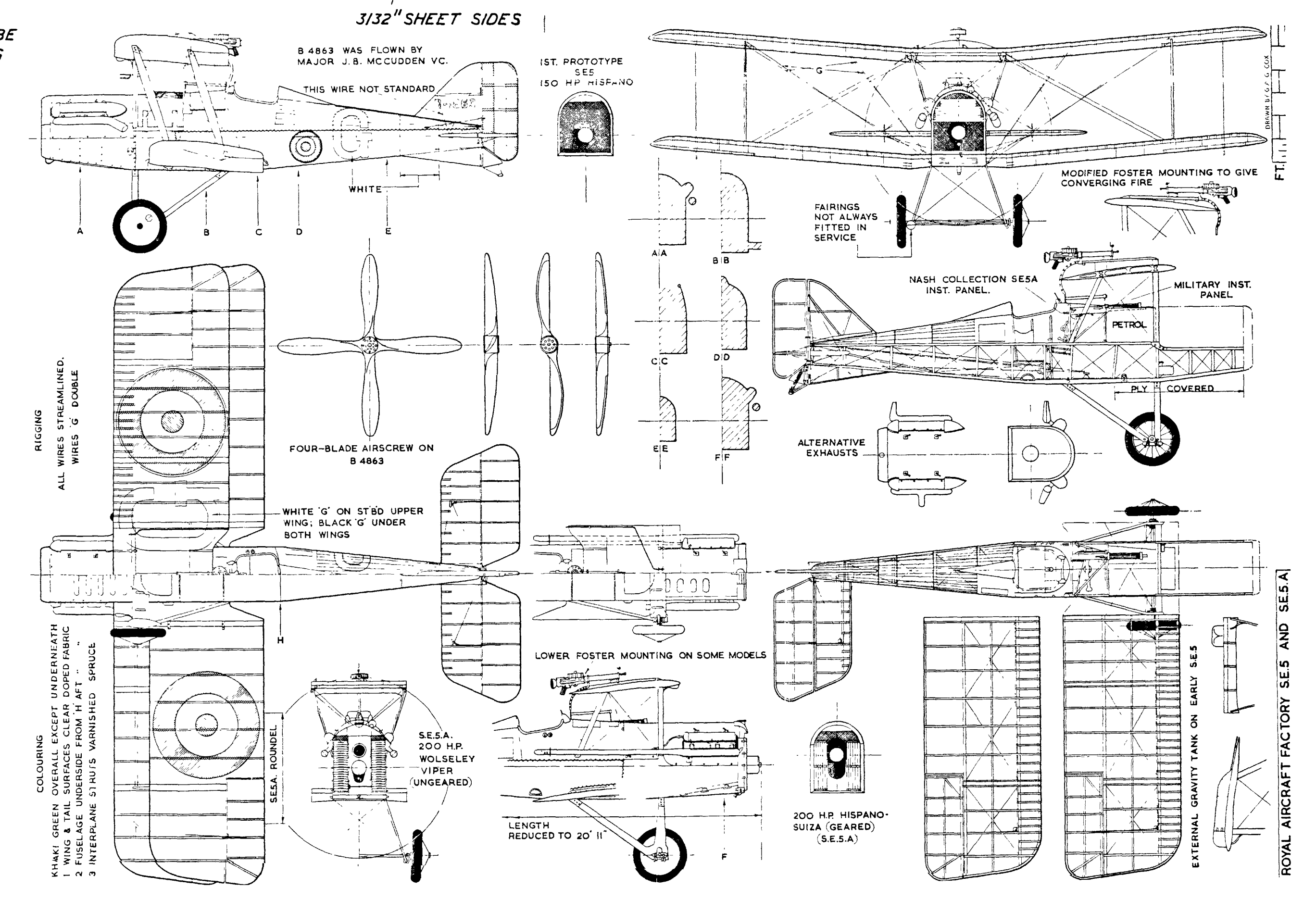
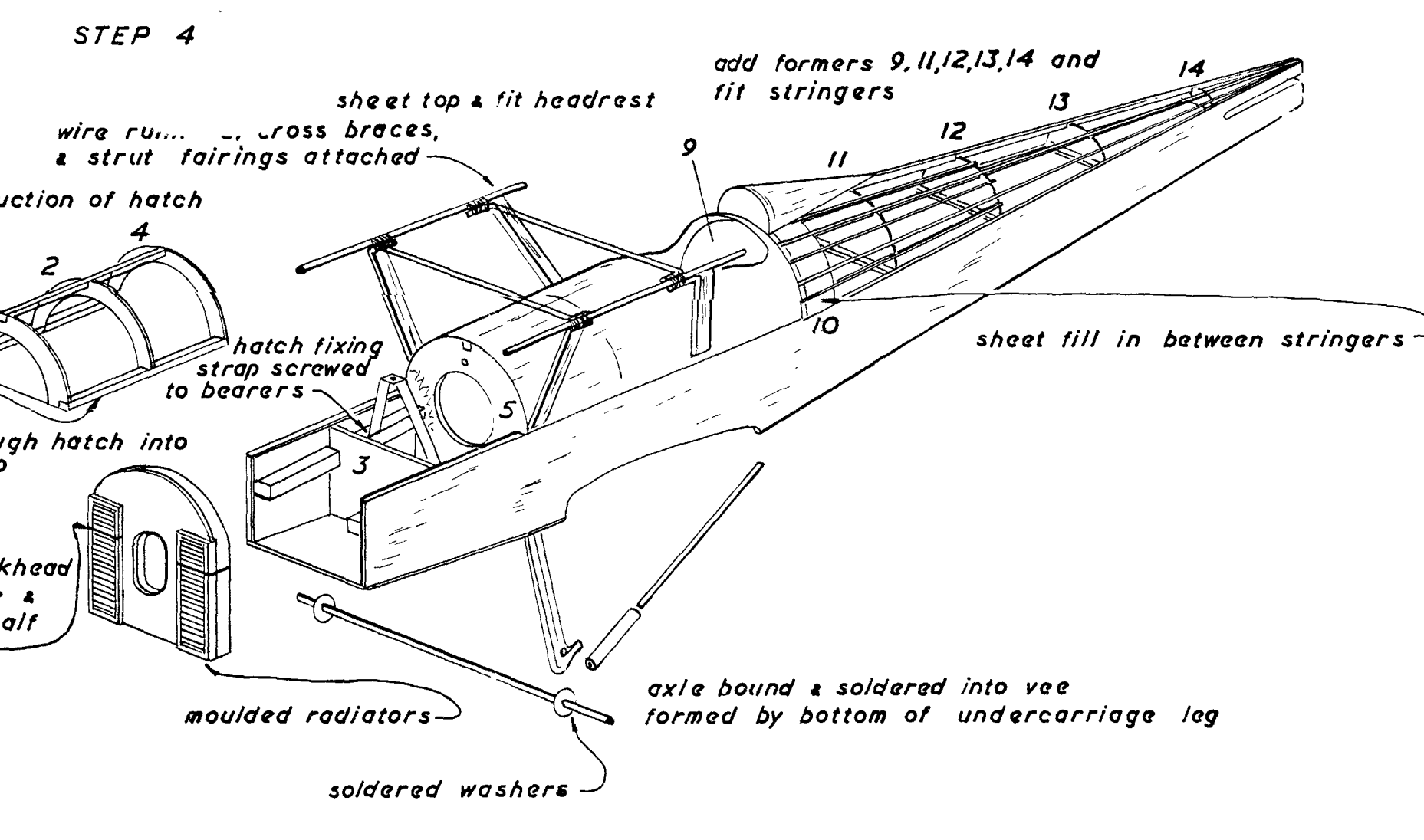
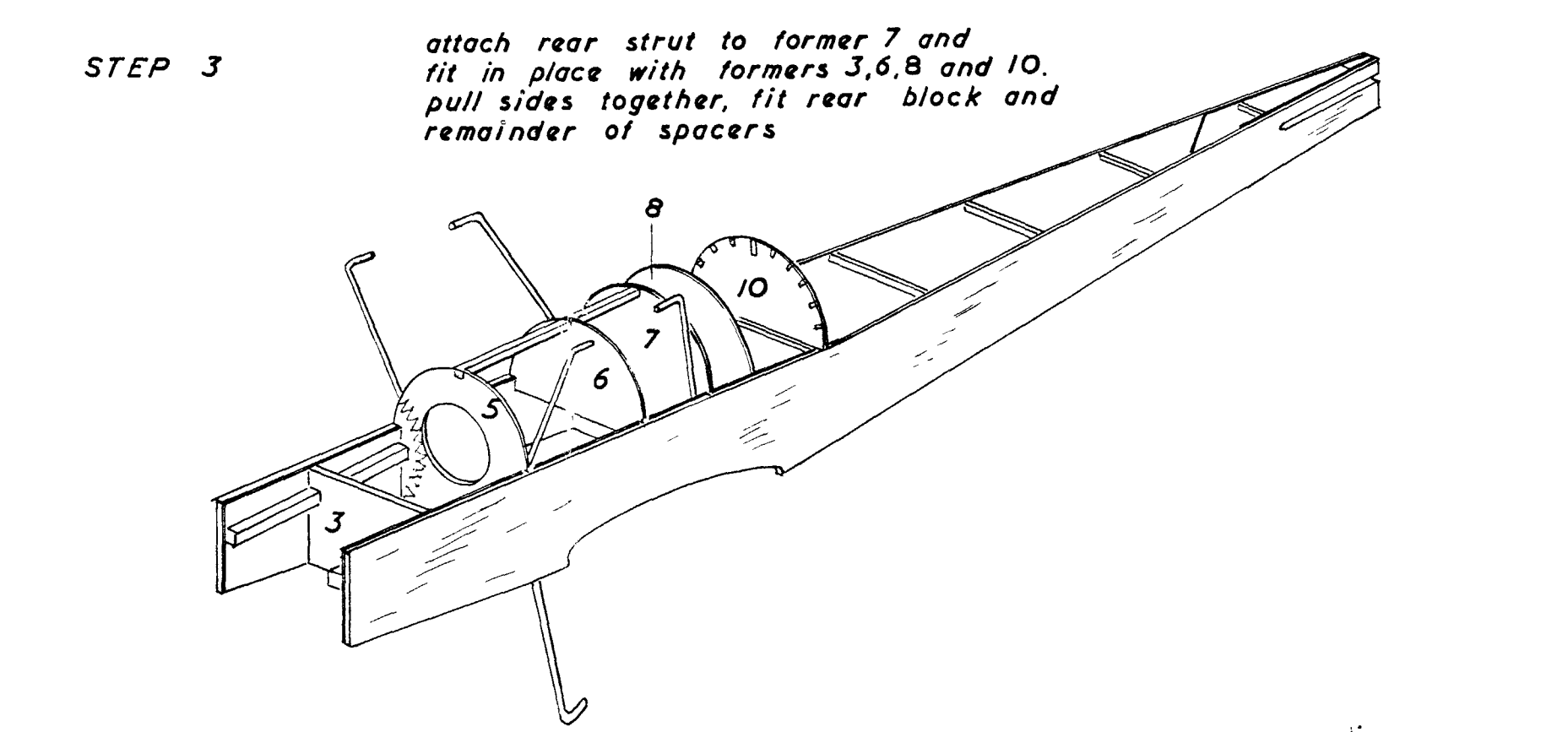
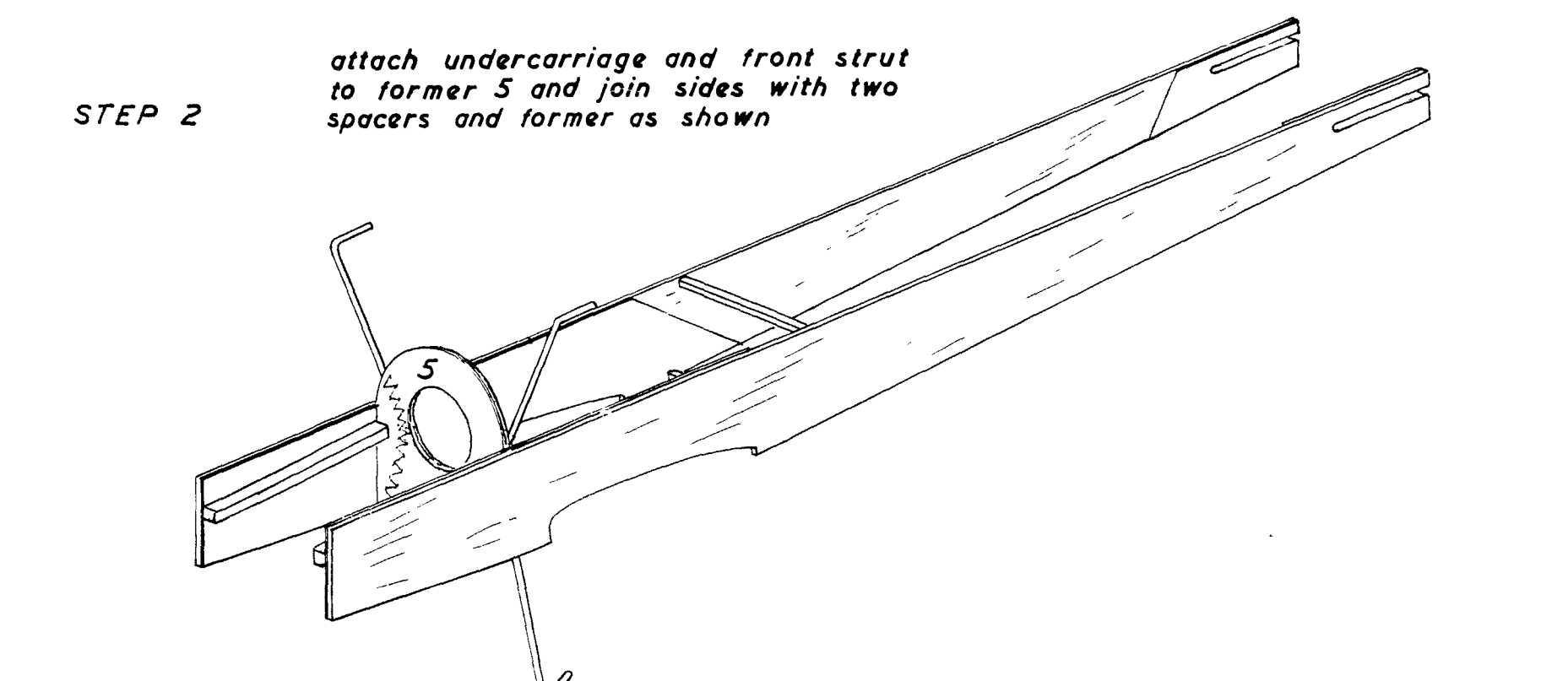
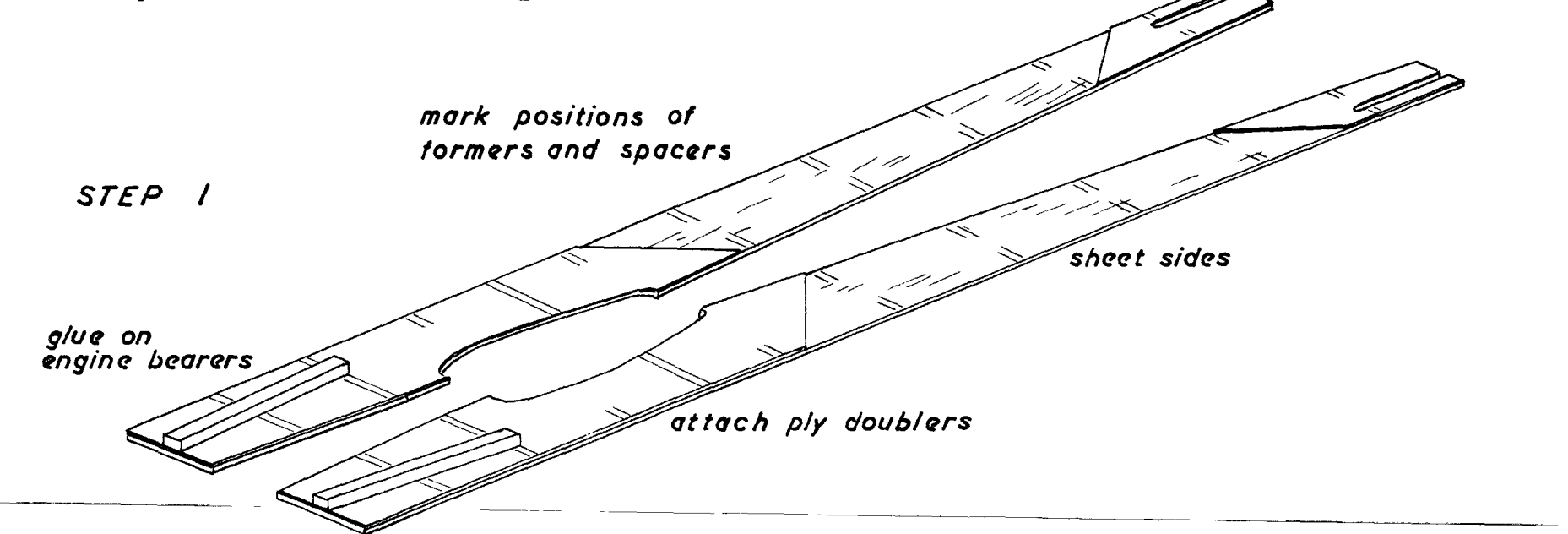
DUMMY CYLINDER BLOCKS MADE FROM Balsa. EXHAUST EXTENSION MADE FROM TINPLATE

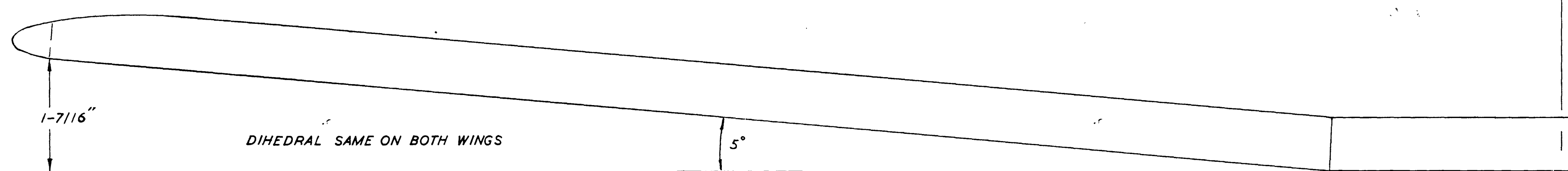
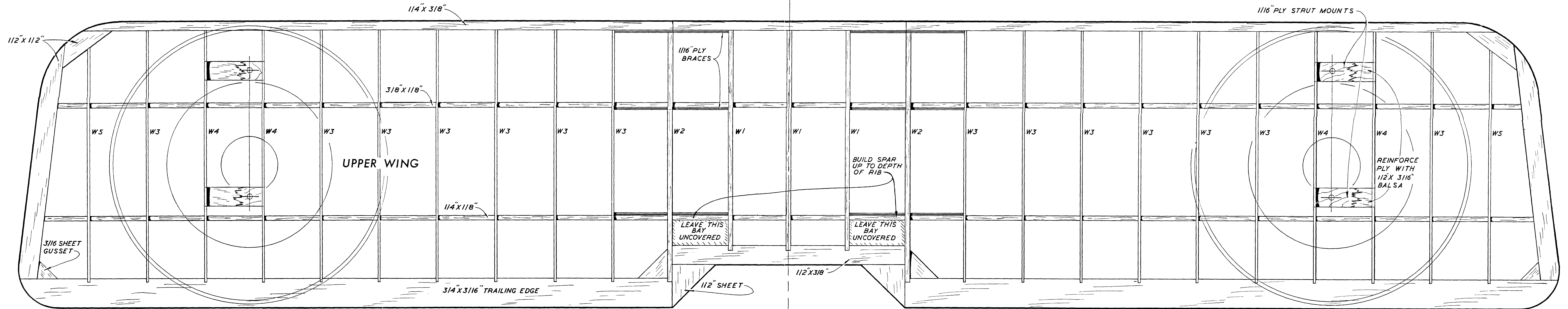


ENGINE OFFSET TO RIGHT

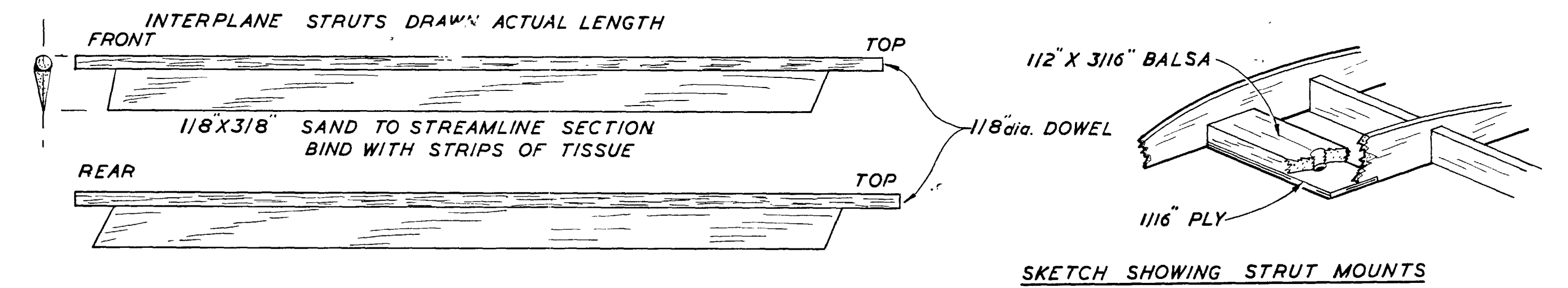


Sequence of fuselage construction

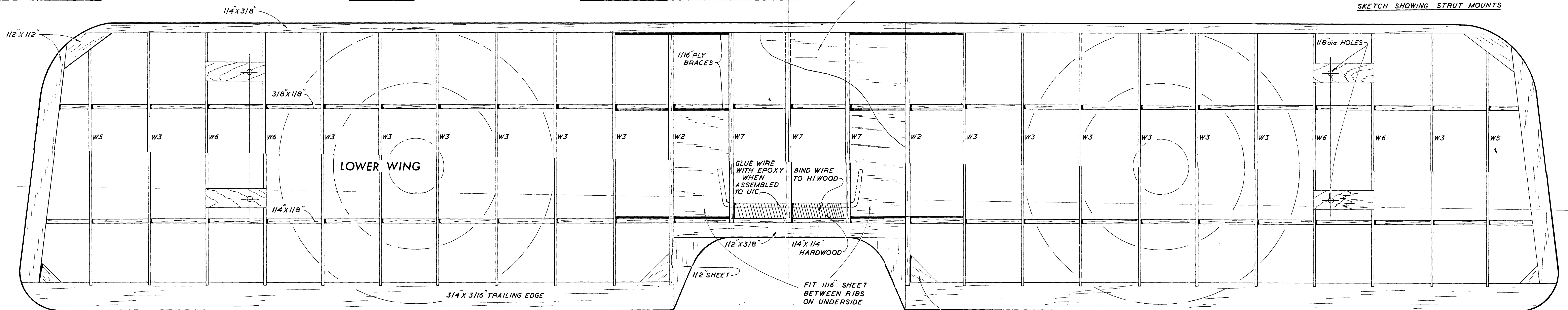




W1, W2 & W7 — 1/8" SHEET
 W3, W4, W5, & 1/6 — 1/16" SHEET



FIT 1/16" SHEET ACROSS CENTRE SECTION, ON TOP SURFACE ONLY



FIT 1/16" SHEET BETWEEN RIBS ON UNDERSIDE

CUT GUSSETS FROM 1/2" x 3/16" STRIP