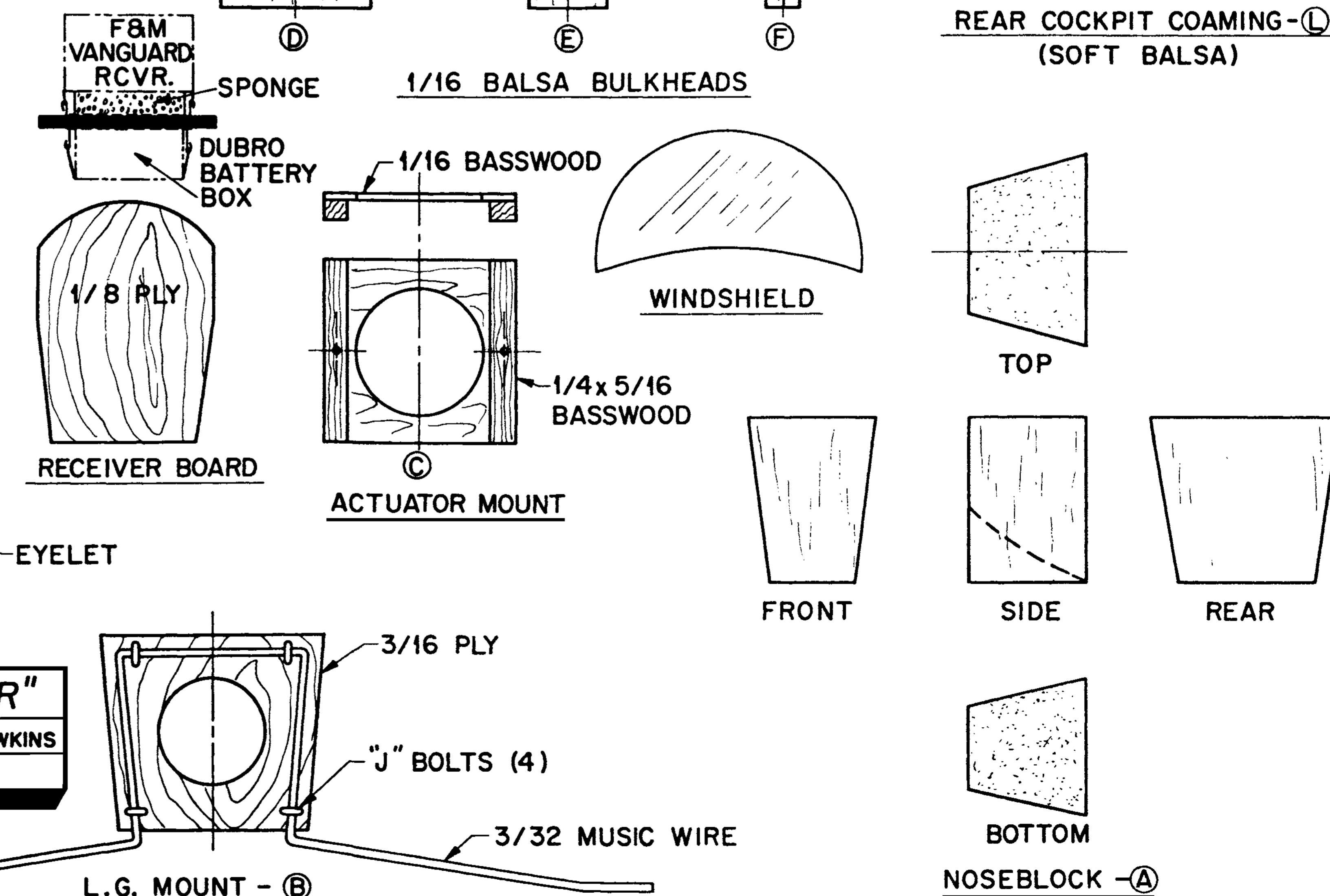
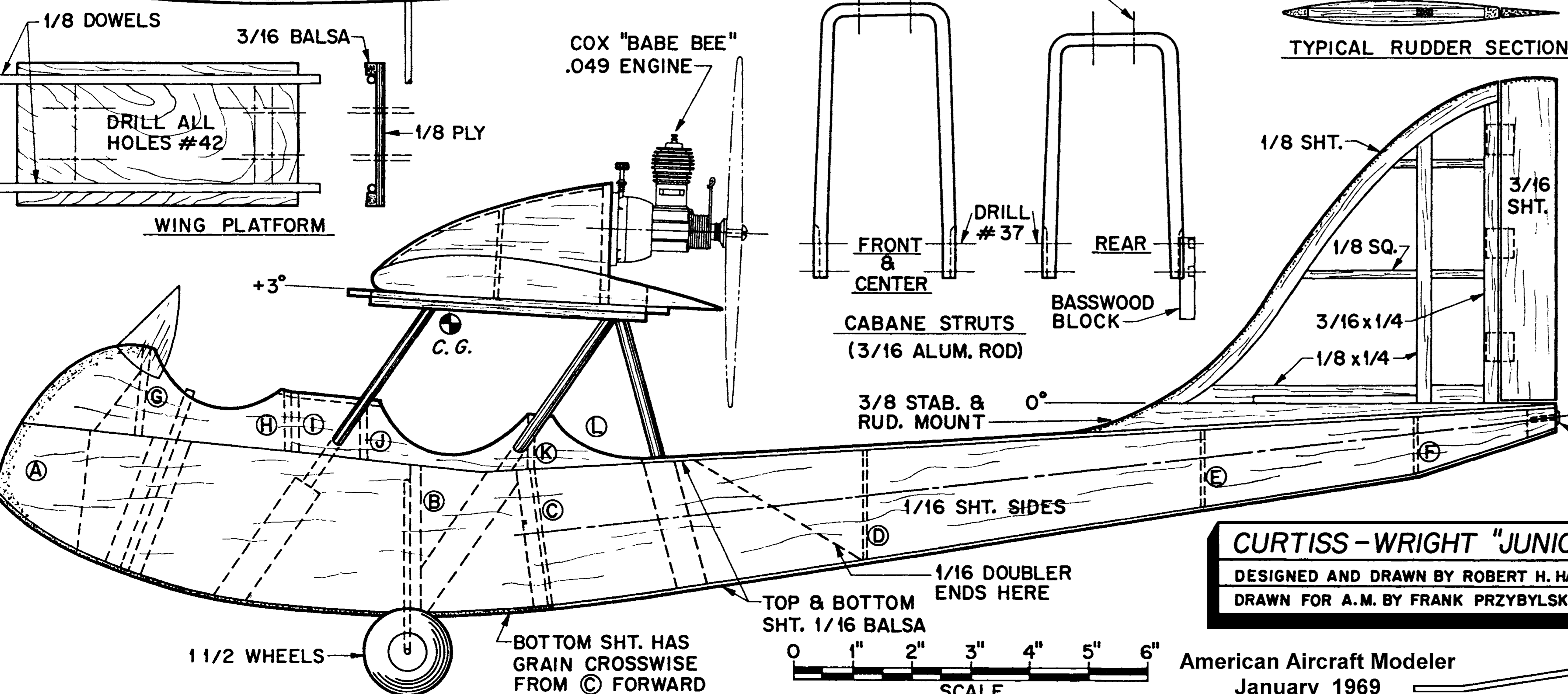
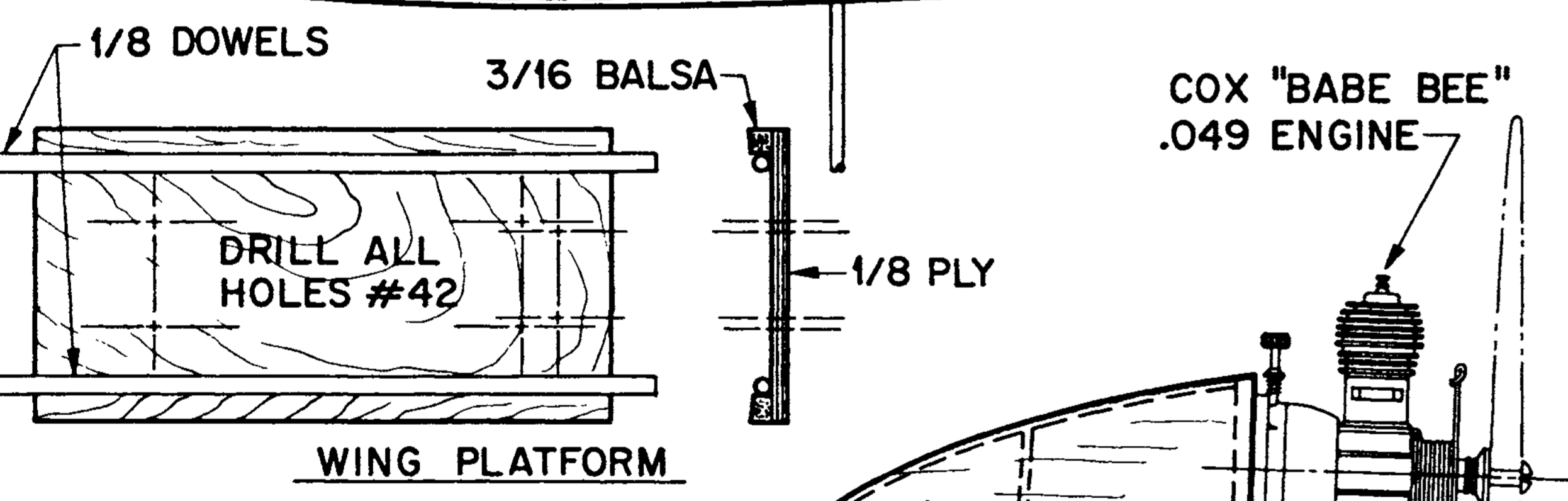
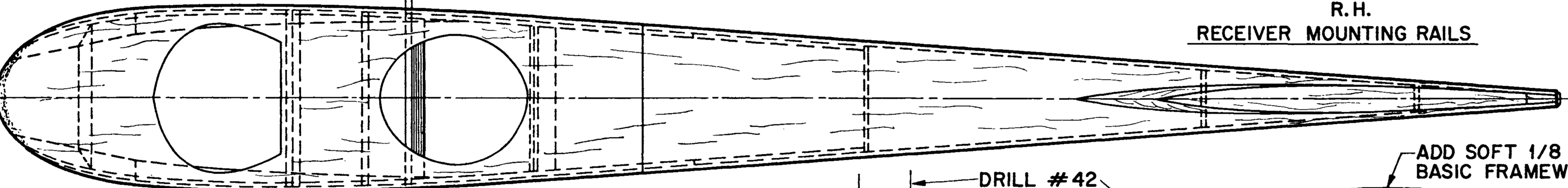
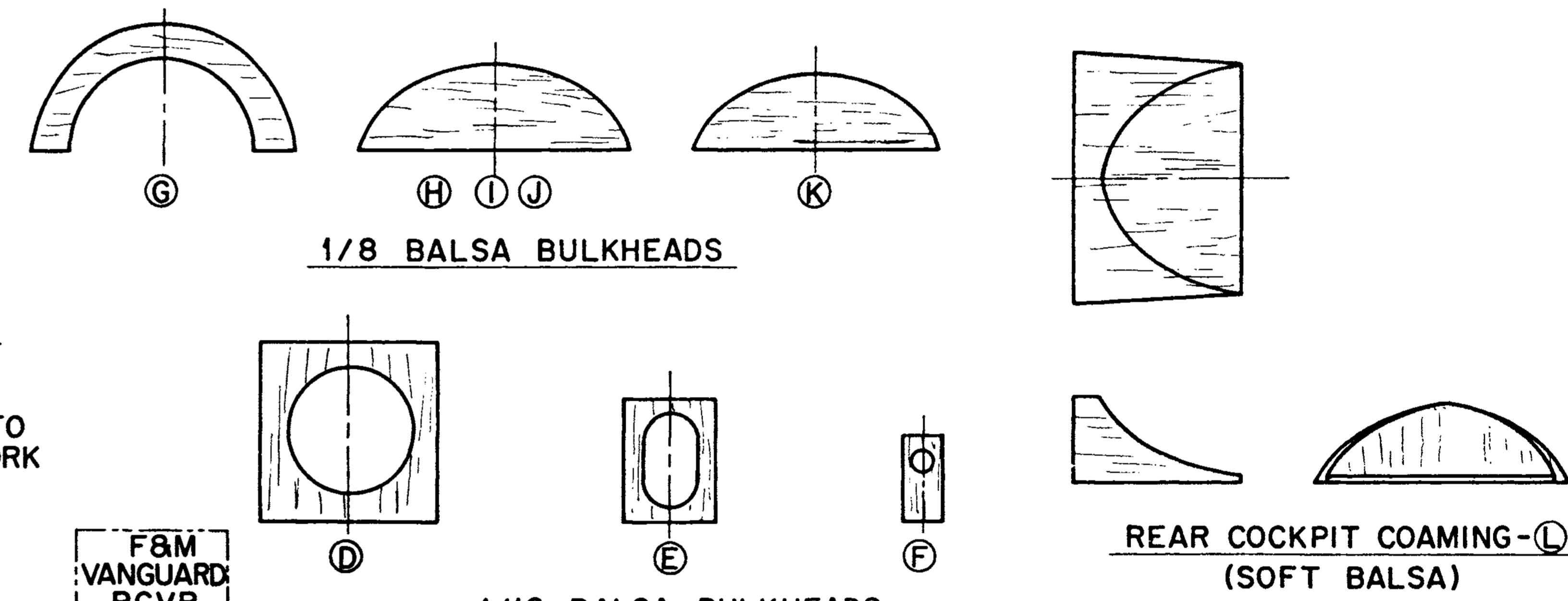
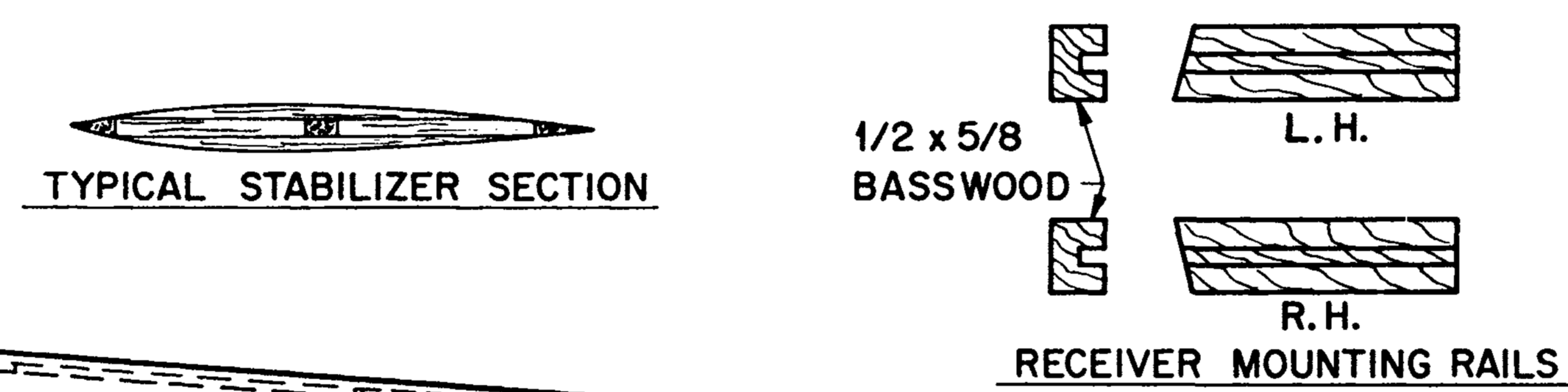
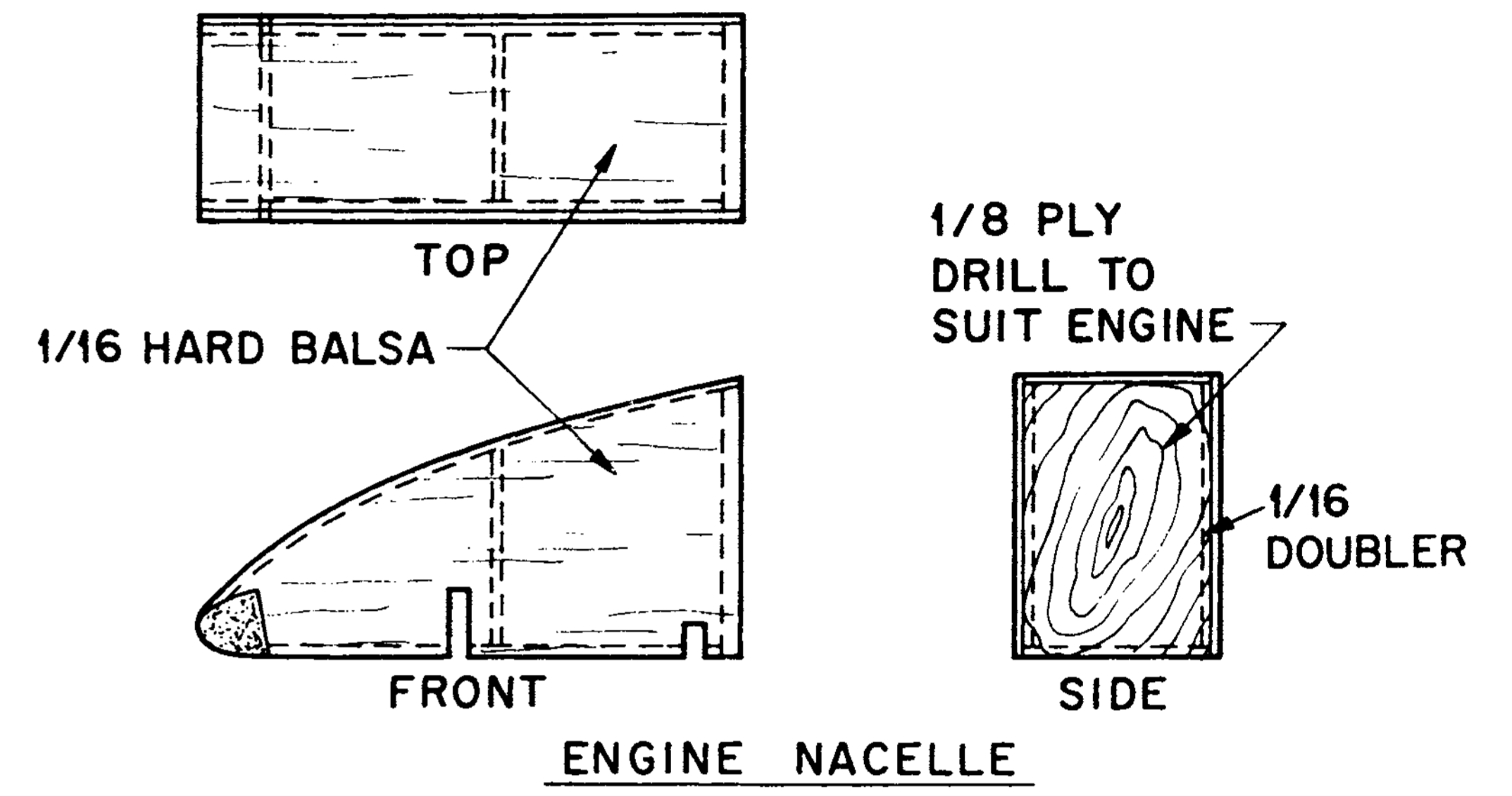
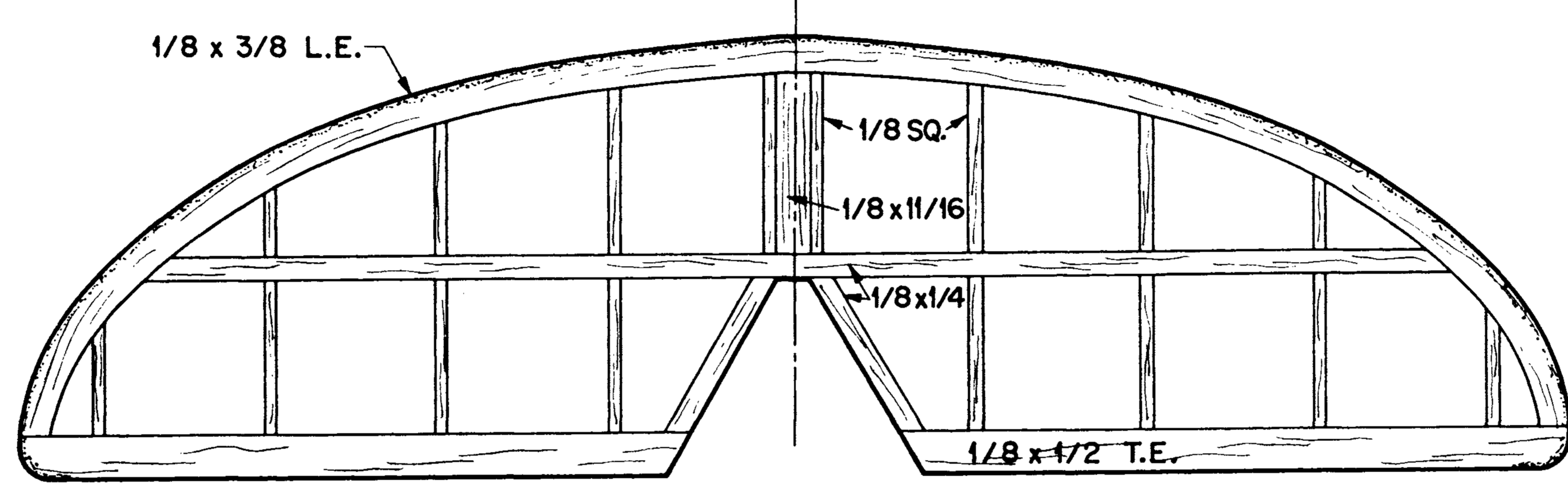
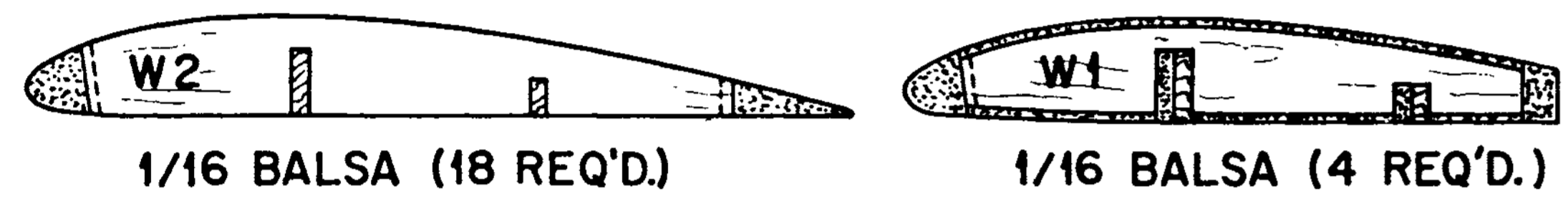
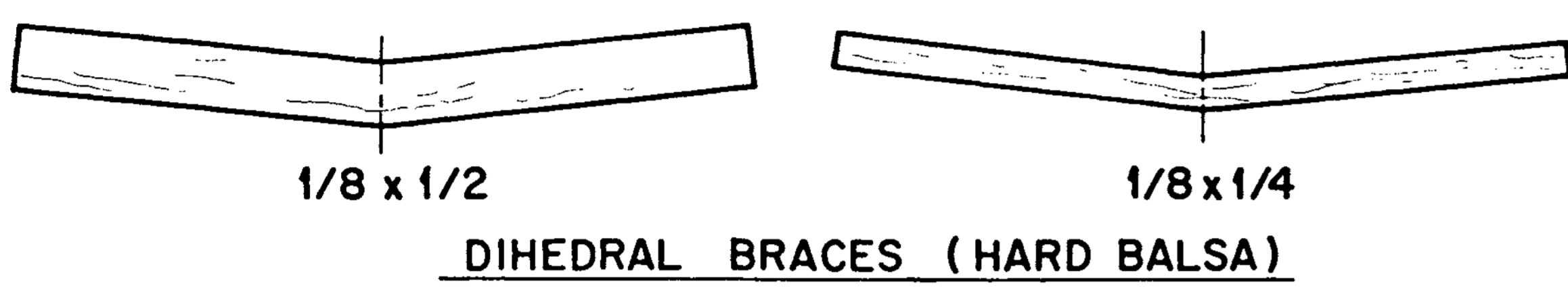


NOTE:
2 5/8 DIHEDRAL AT EACH TIP



CURTISS - WRIGHT "JUNIOR"
DESIGNED AND DRAWN BY ROBERT H. HAWKINS
DRAWN FOR A.M. BY FRANK PRZYBYLSKI