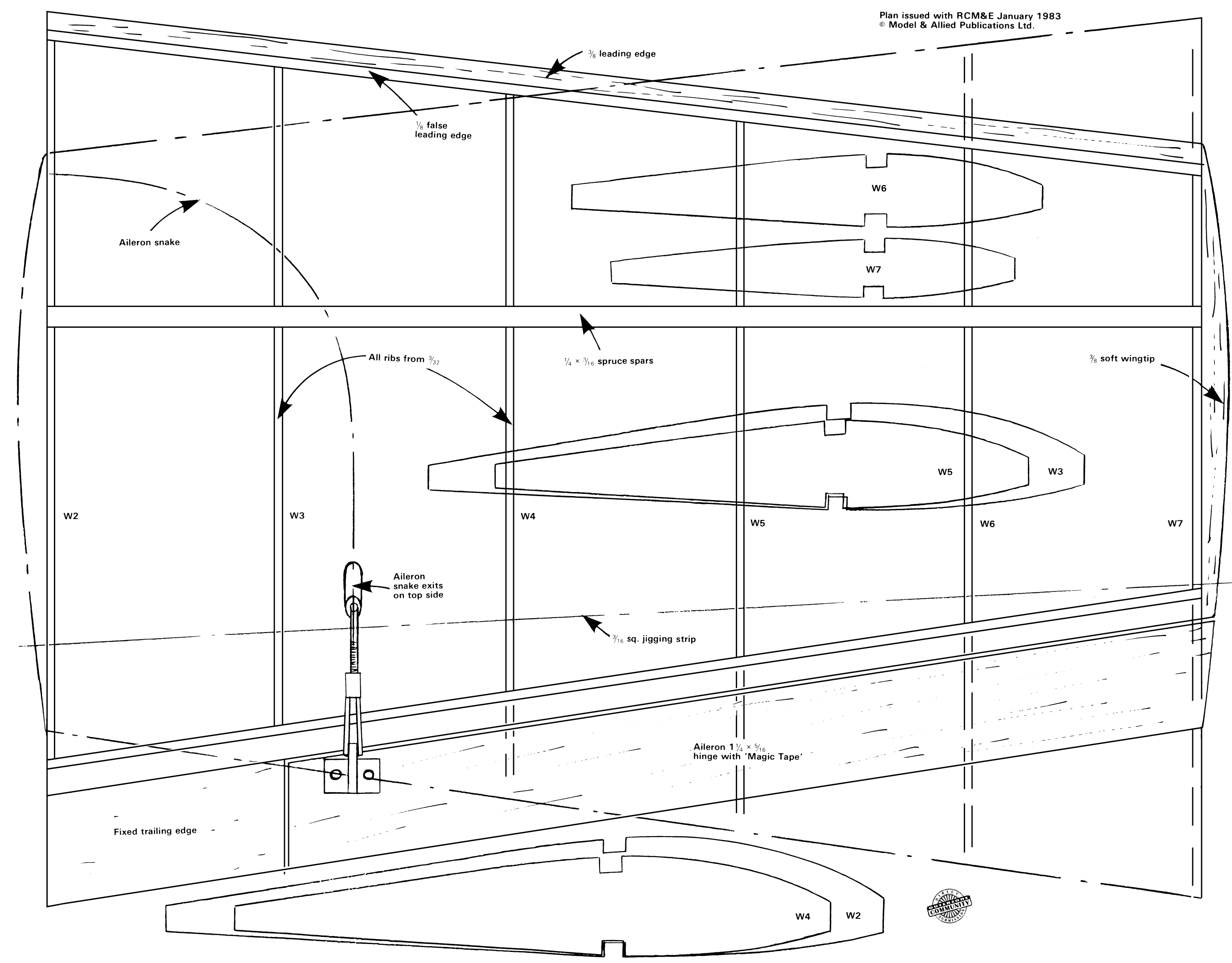
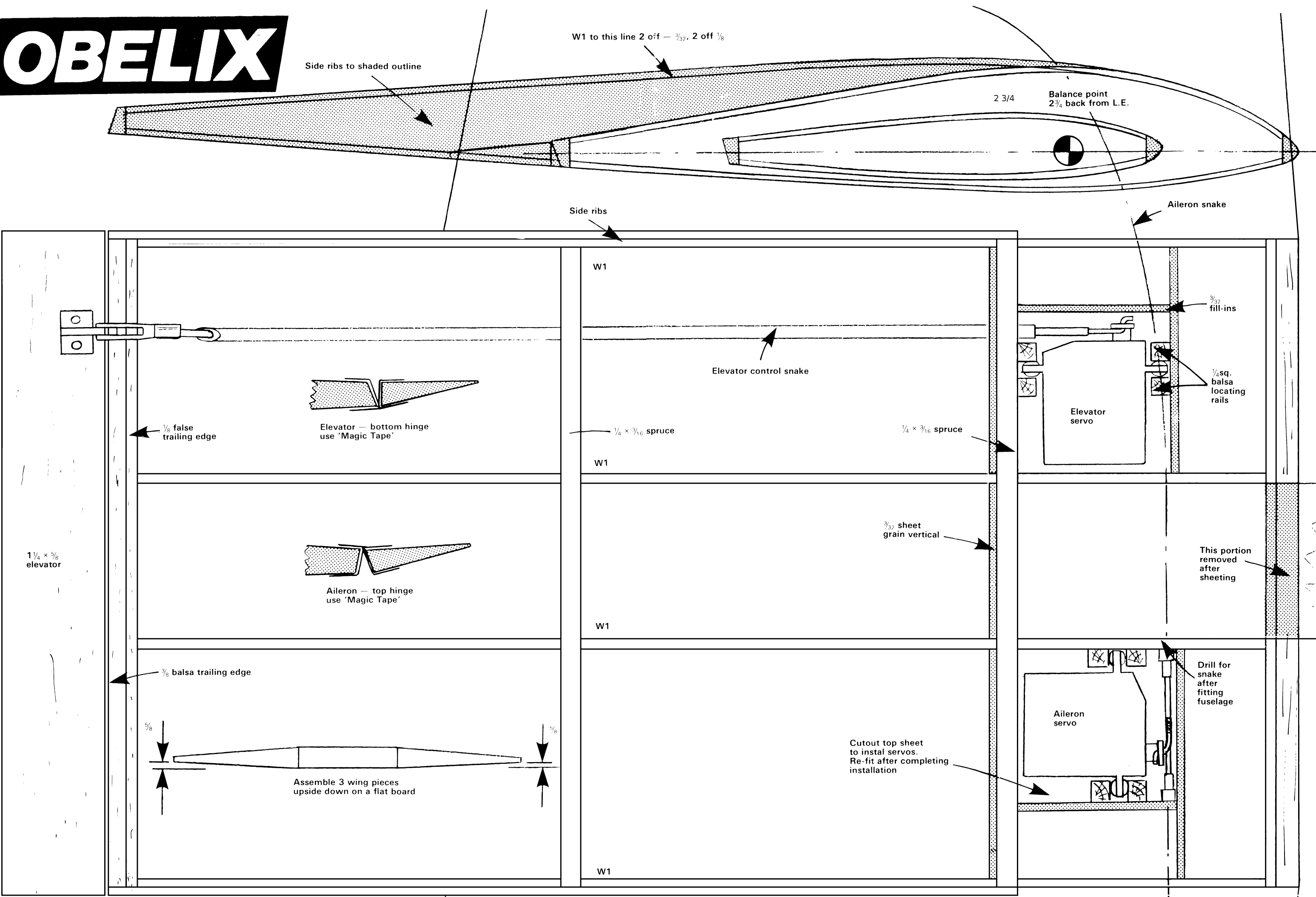


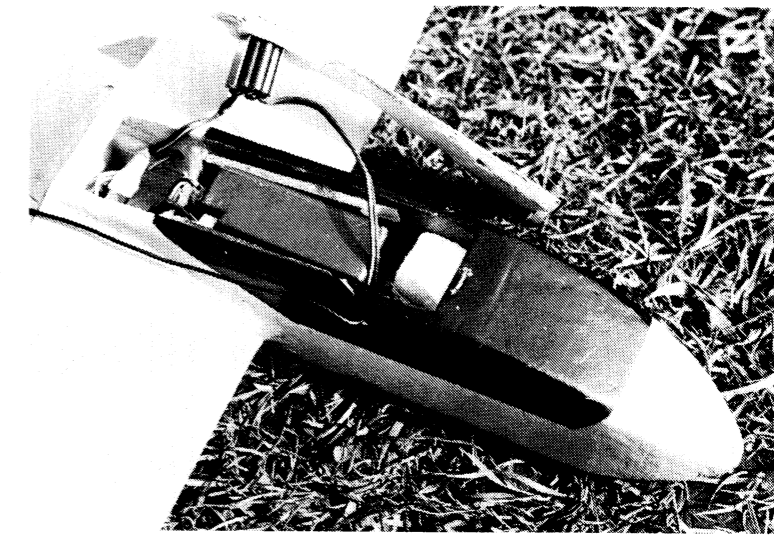
OBELIX

Plan issued with RCM&E January 1983
© Model & Allied Publications Ltd.

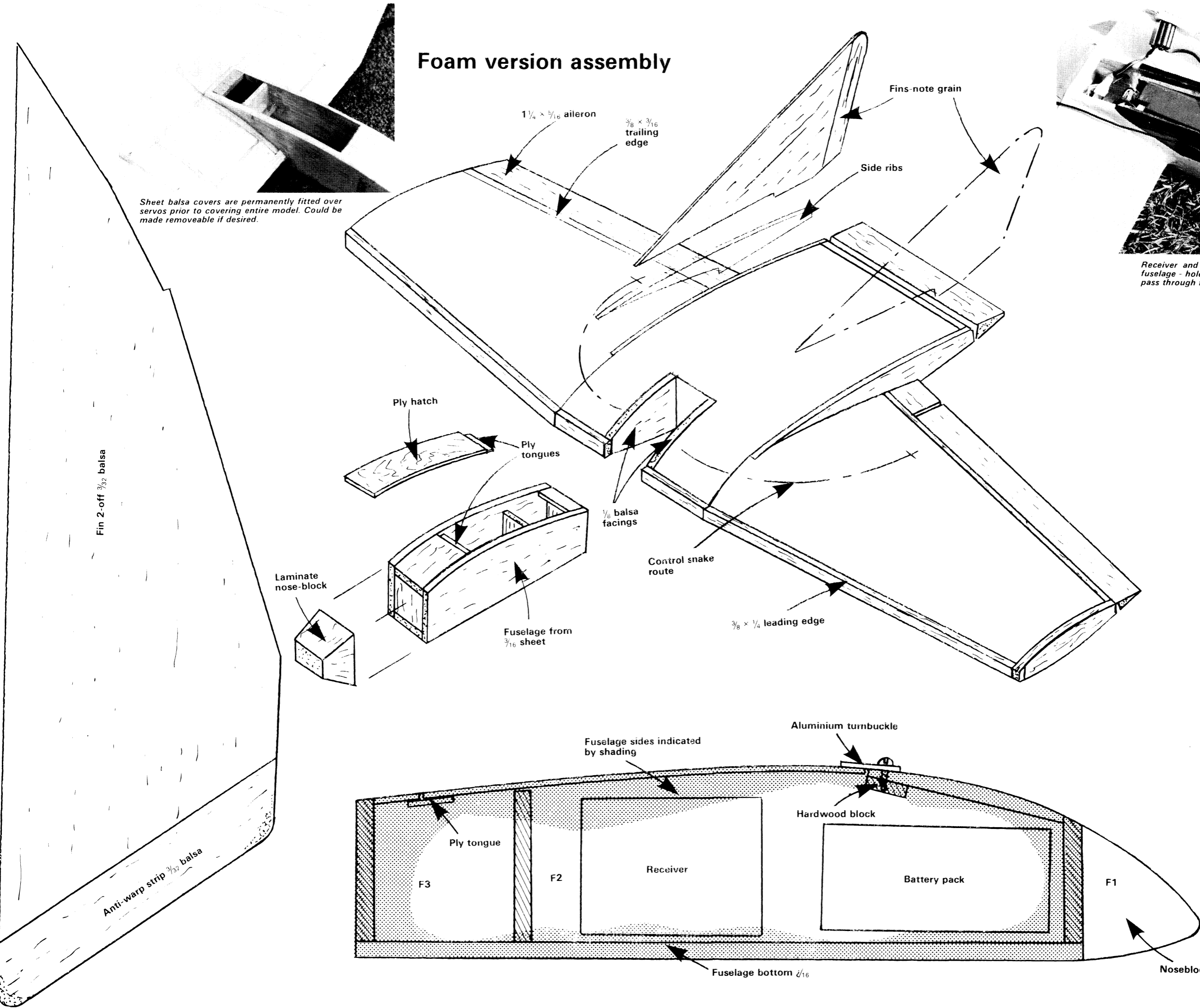


Foam version assembly

Sheet balsa covers are permanently fitted over servos prior to covering entire model. Could be made removable if desired.

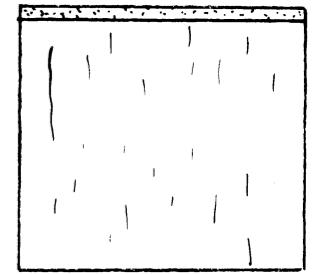


Receiver and Ni-Cad fit comfortably into the fuselage - holes must be made for servo leads to pass through from the wing.

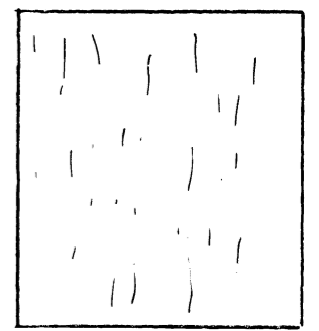


Fin 2-off $\frac{3}{32}$ balsa

Anti-warp strip $\frac{3}{32}$ balsa



F1 $\frac{3}{16}$ balsa
Note chamfer on top edge



F2 & F3 $\frac{3}{16}$ balsa

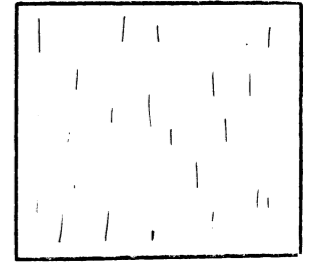
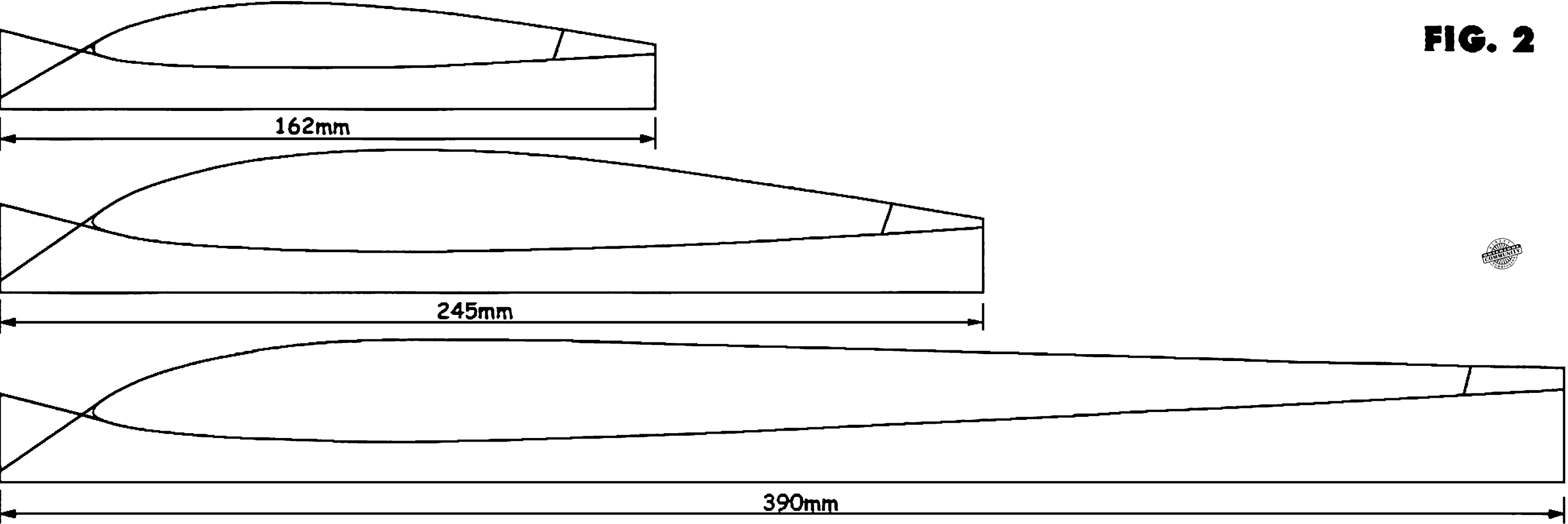


FIG. 2



ADD 'STATION LINES' TO TEMPLATES IF YOU WISH BUT I CUT THEM BY 'RACK O' TH' EYE' !