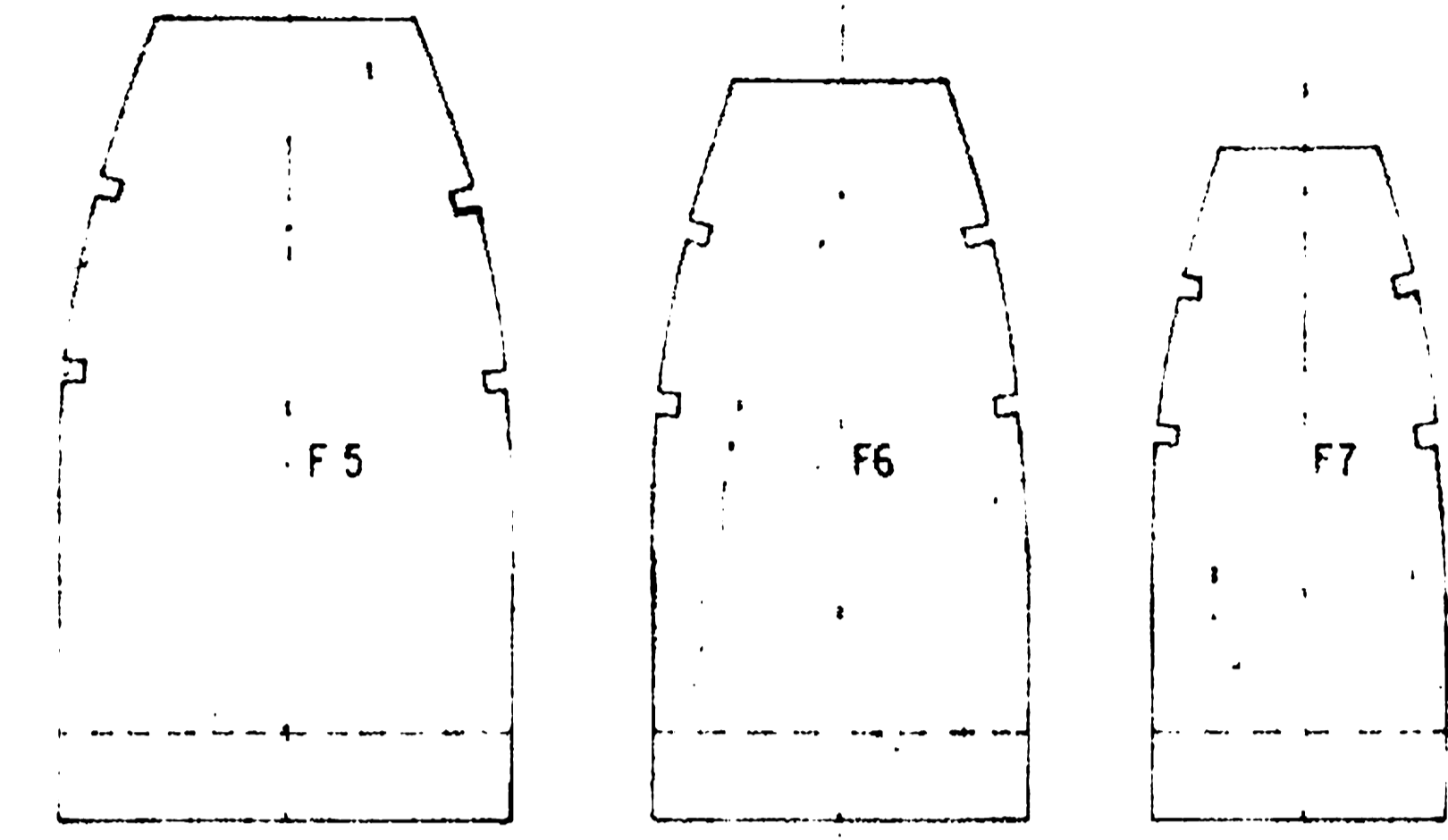
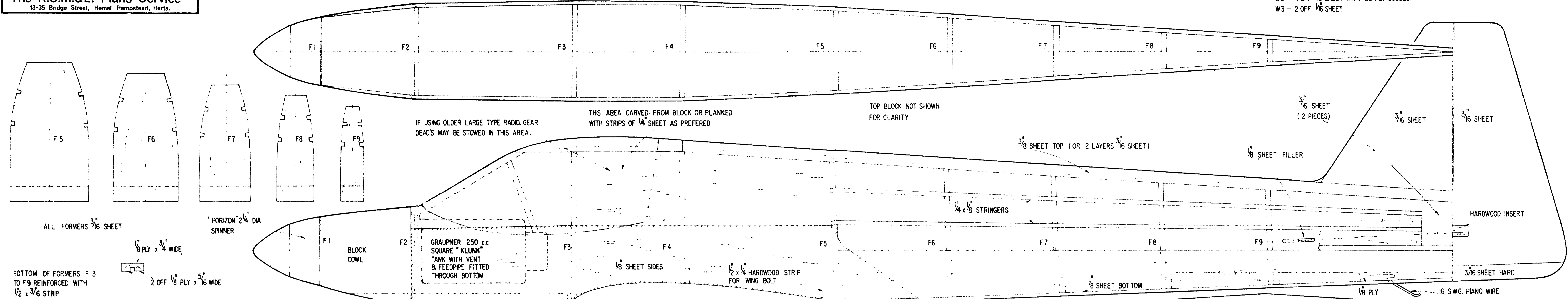
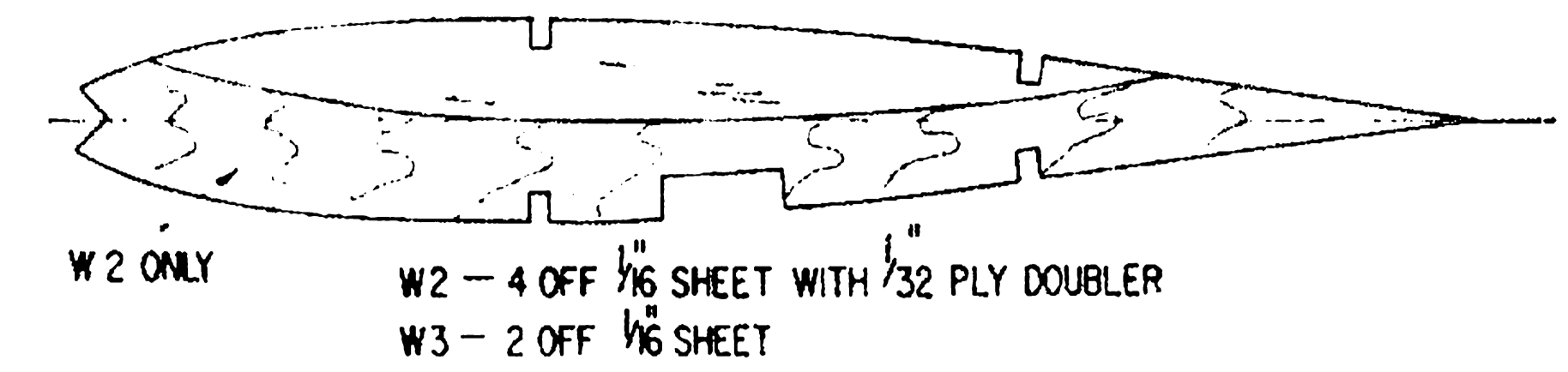
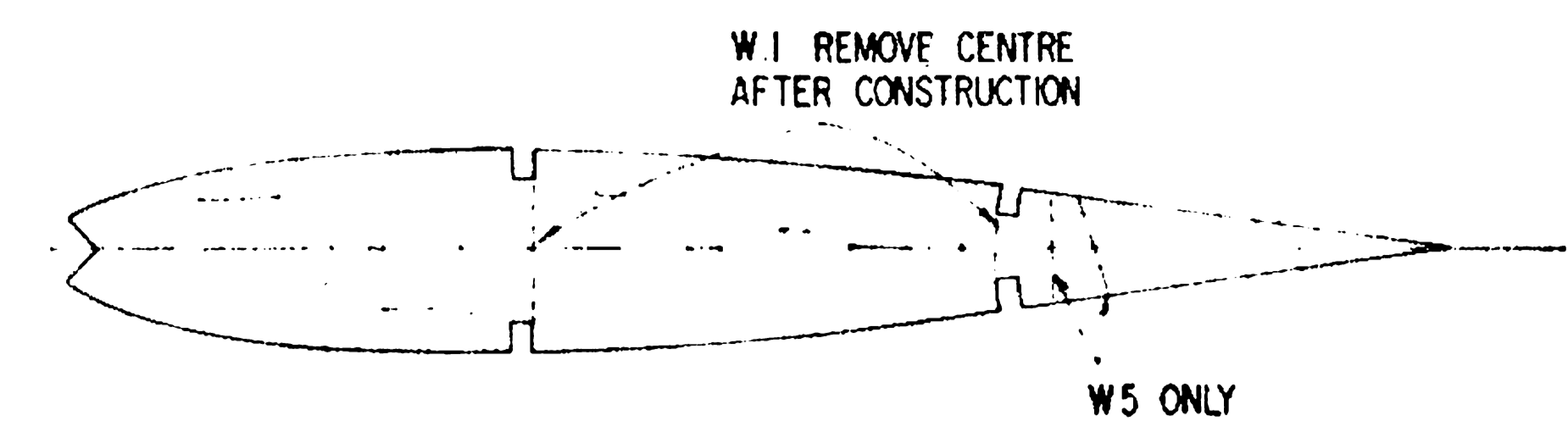


**MILLIBAR**  
 designed by  
**D. Day**  
 copyright of  
**The R.C.M.&E. Plans Service**  
 13-35 Bridge Street, Hemel Hempstead, Herts.

**75P**

CONTROL MOVEMENTS	
AILERON	7/16" UP
	5/16" DOWN
ELEVATOR	9/16" EACH WAY
RUDDER	1" EACH WAY MIN

W1 - 2 OFF 1/8" SHEET  
 W4 - 6 OFF 1/16" SHEET  
 W5 - 8 OFF 1/16" SHEET



ALL FORMERS 3/16" SHEET

"HORIZON" 2 1/4" DIA SPINNER

1/8" PLY x 3/4" WIDE

BOTTOM OF FORMERS F3 TO F9 REINFORCED WITH 1/2 x 3/16" STRIP

2 OFF 1/8" PLY x 5/16" WIDE

