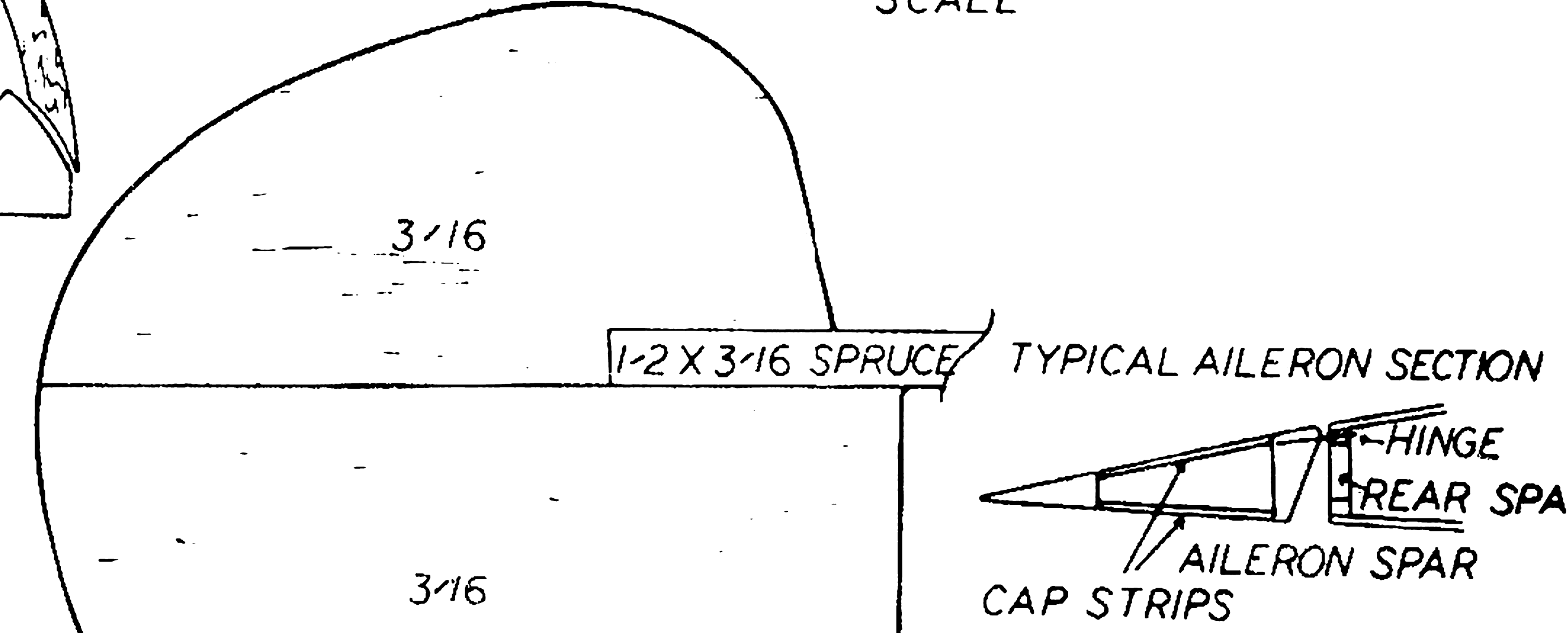
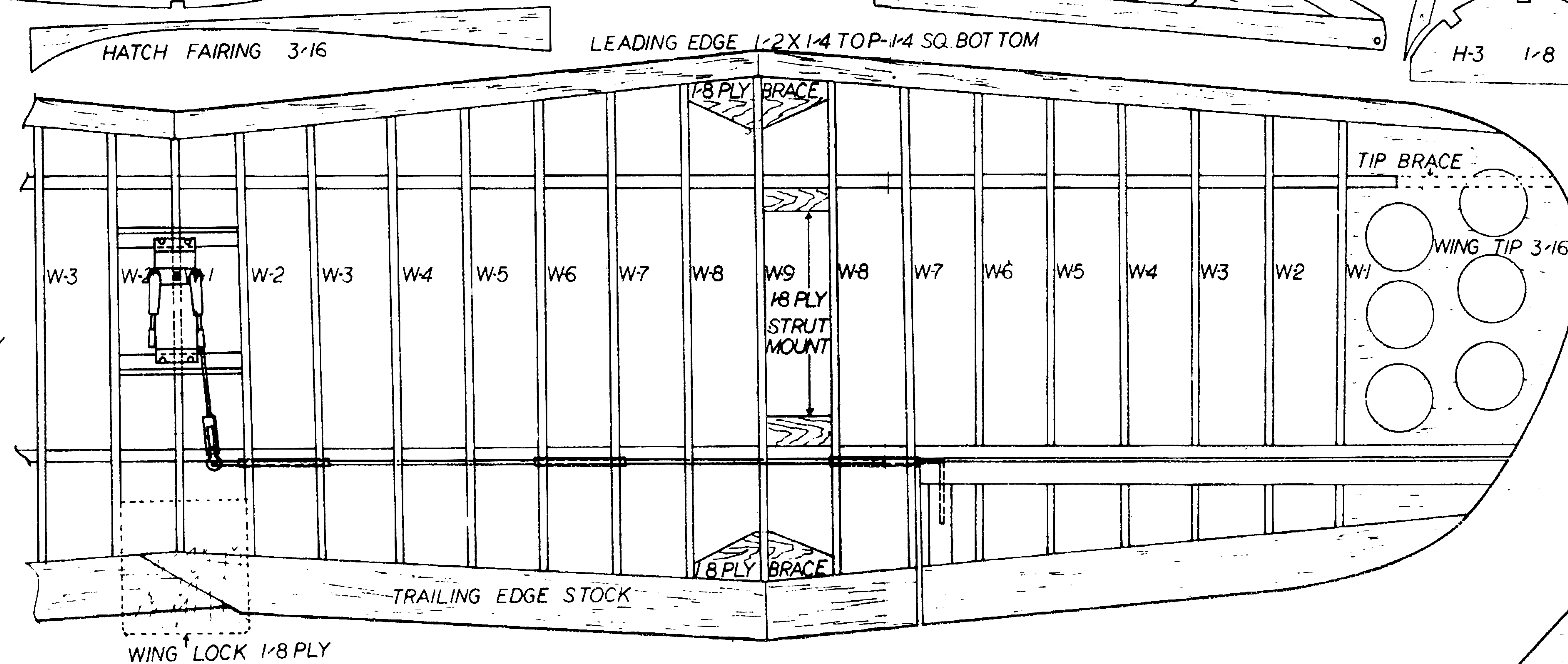
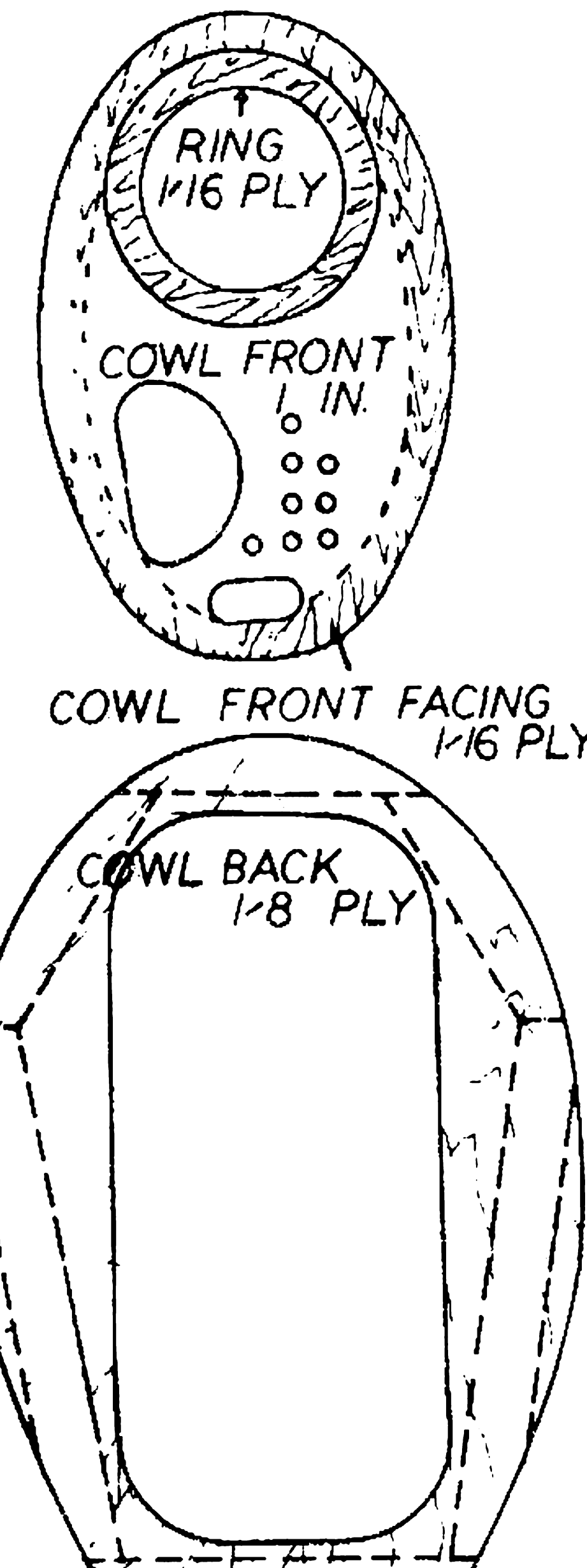
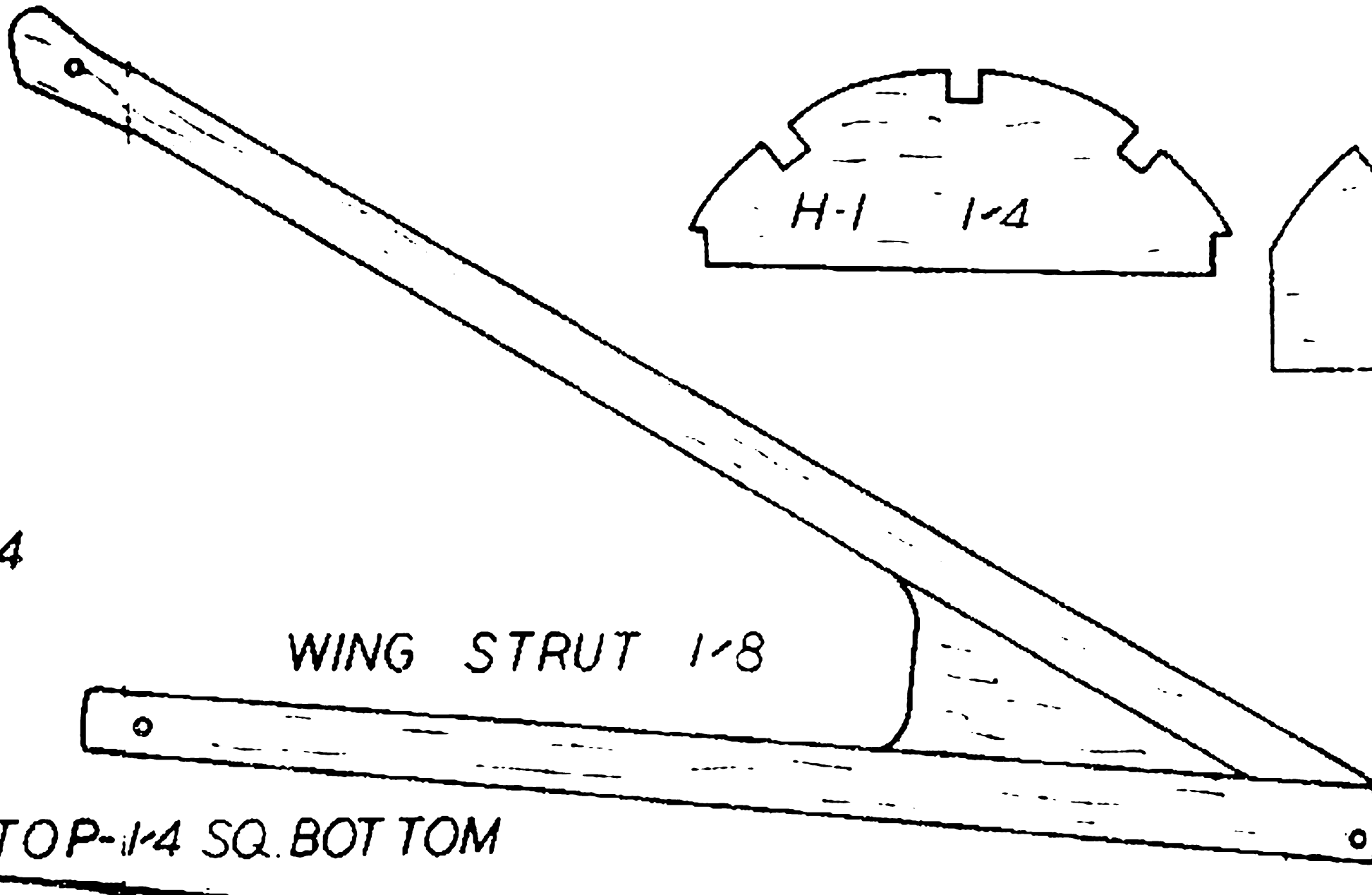
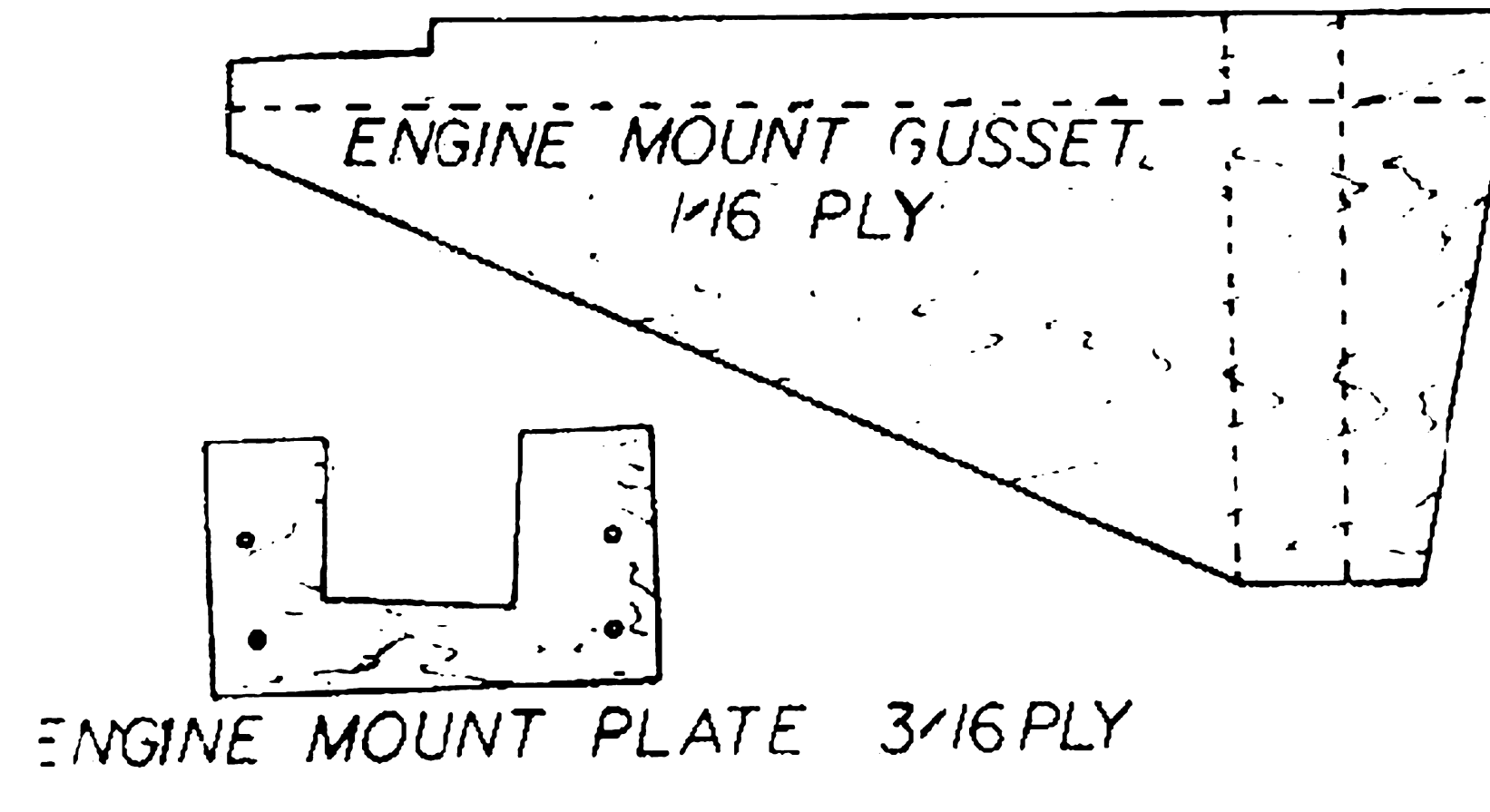
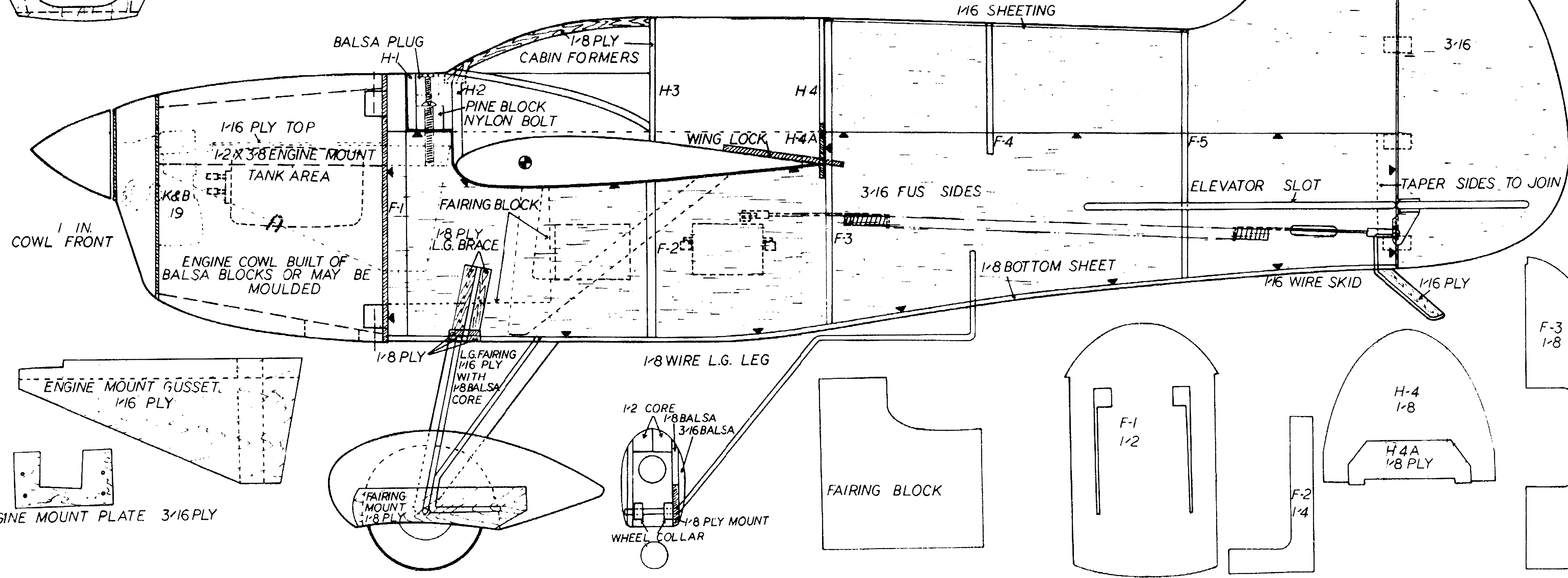
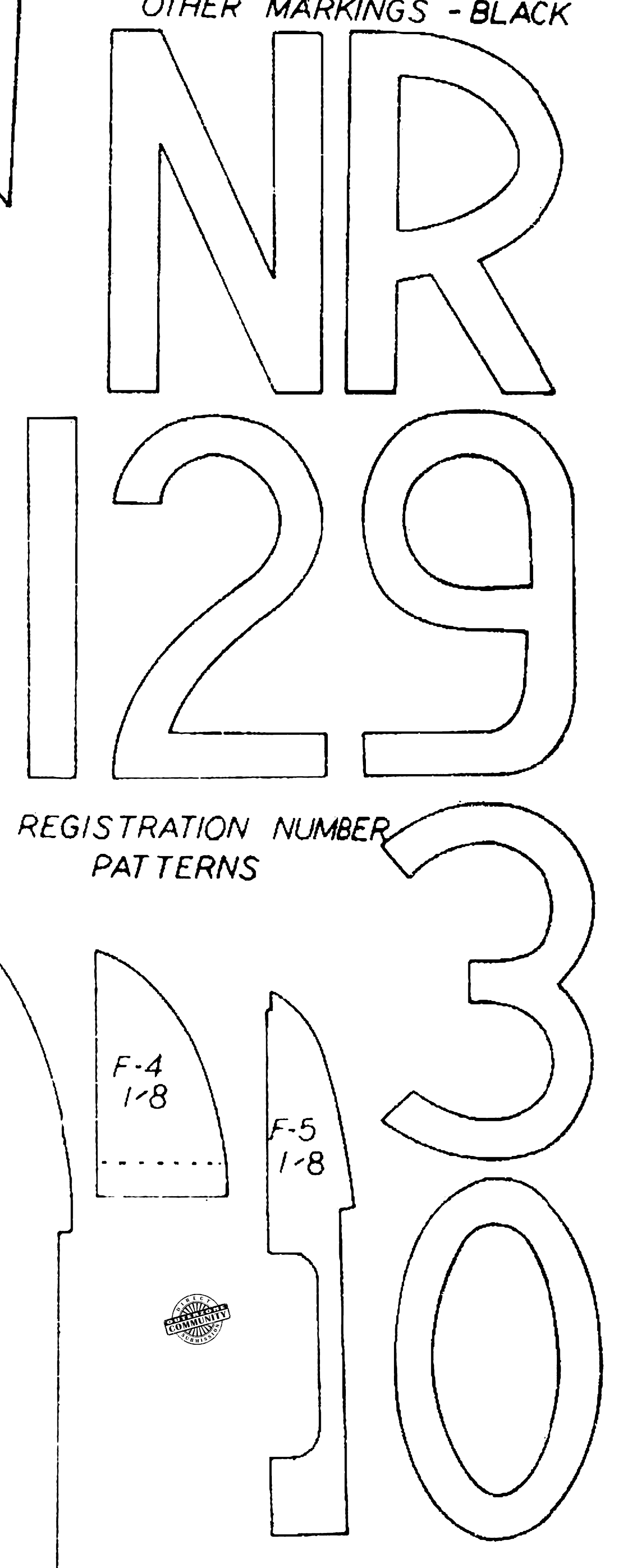


**ART CHESTER "JEEP"**  
 SPAN 52 IN AREA 460 SQ IN  
 WEIGHT 4 LBS POWER .19 TO .40  
 DESIGNED & DRAWN BY  
 HENRY A HAFKKE

1 2 3 4 5 6 7 8 9 10  
SCALE



COLOR SCHEME  
 ENTIRE AIRCRAFT - CREAM  
 TRIM STRIPING - GREEN  
 OTHER MARKINGS - BLACK



REGISTRATION NUMBER PATTERNS