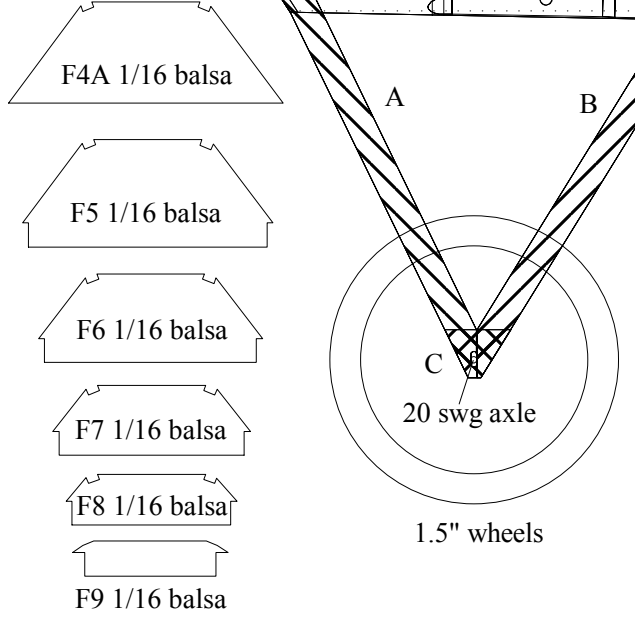
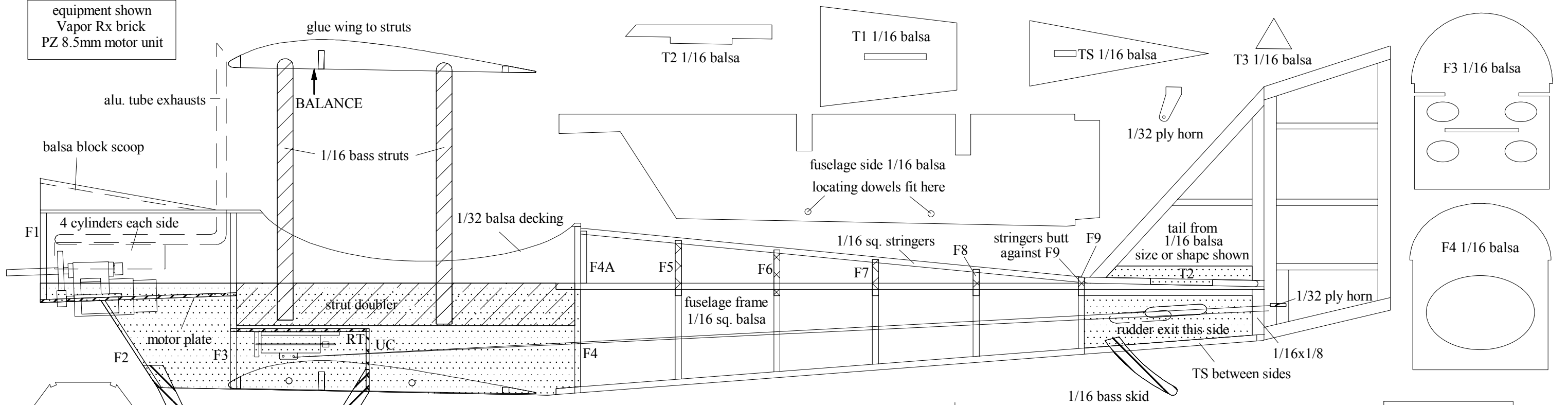
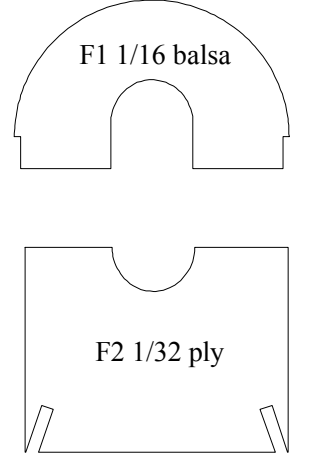
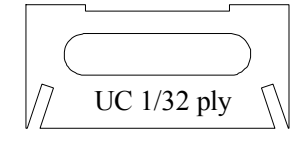
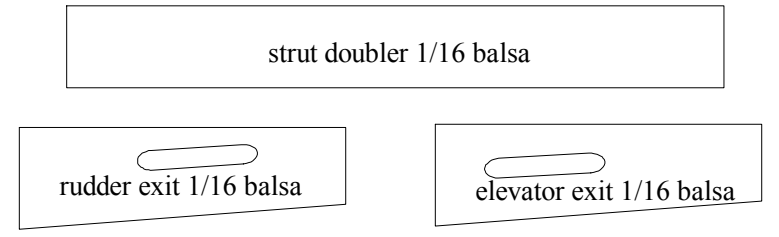
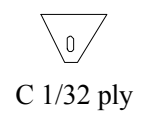
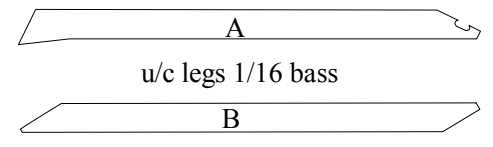
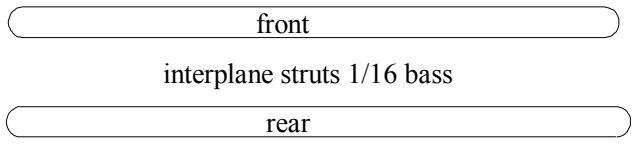
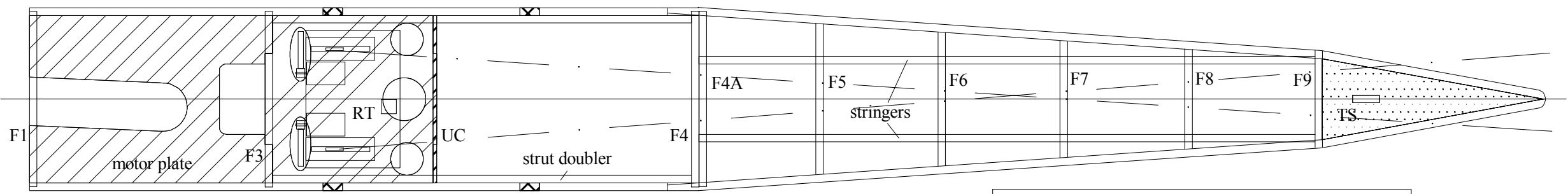
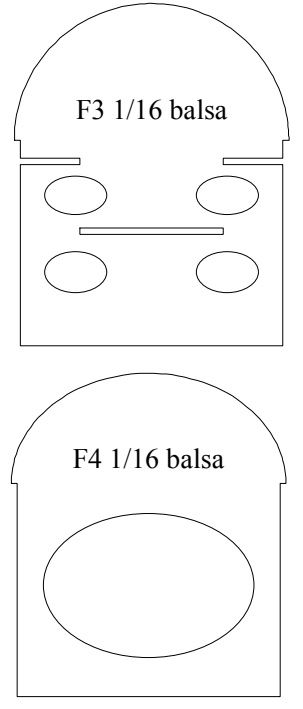
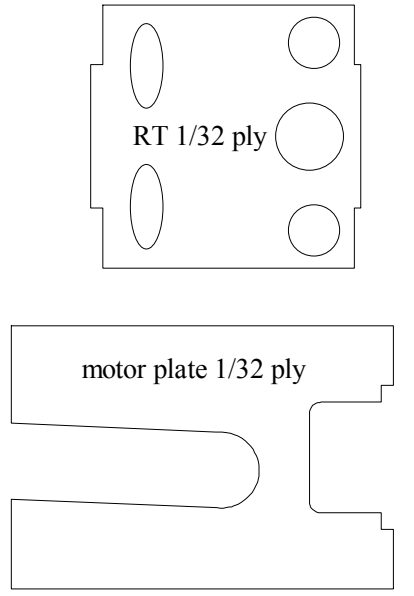
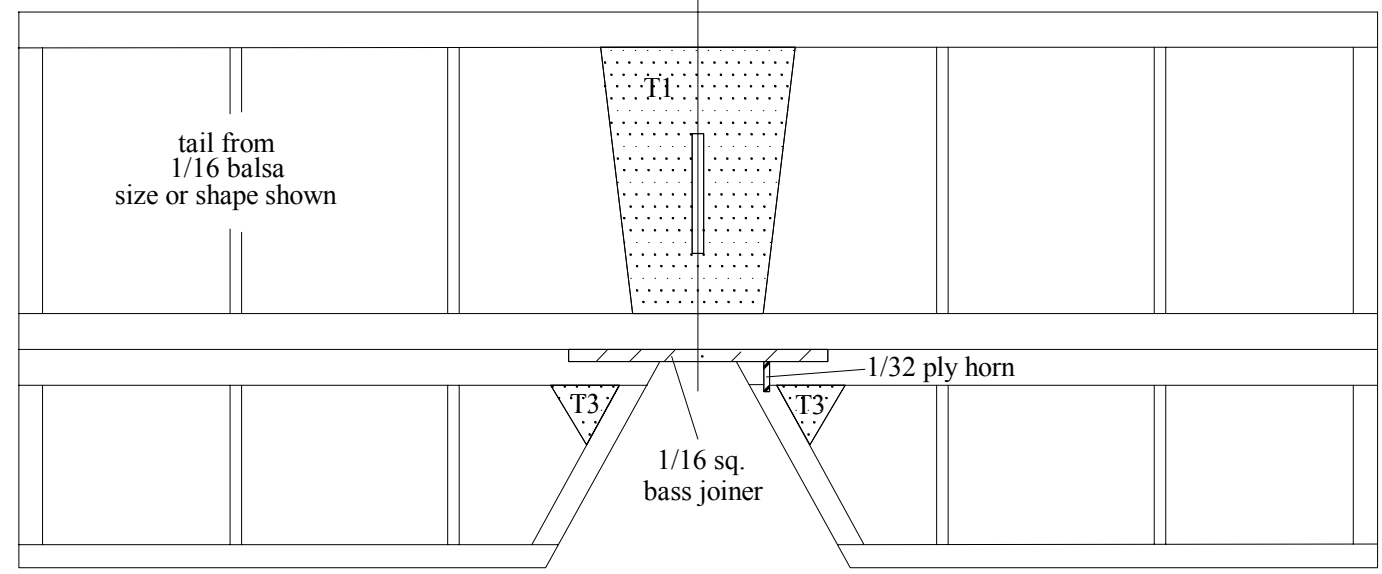


equipment shown
Vapor Rx brick
PZ 8.5mm motor unit



u/c shown full size assemble over drawing and glue assemblies into F2 & UC glue axle into slot

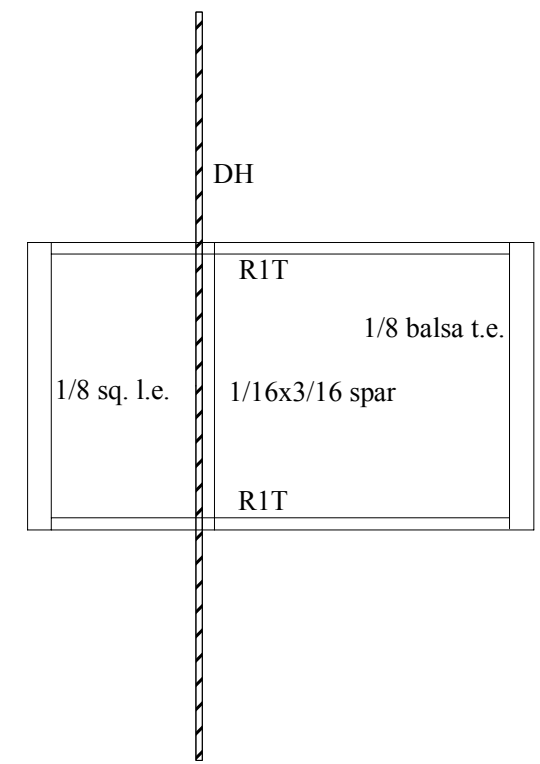
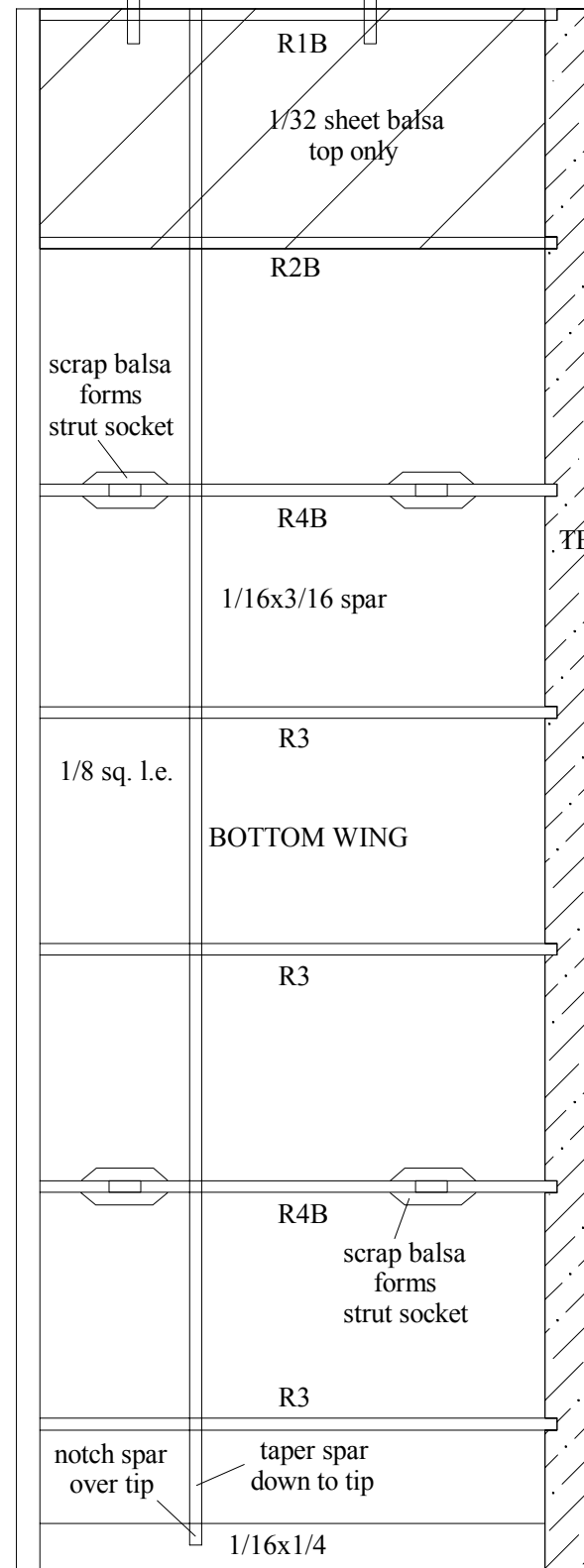
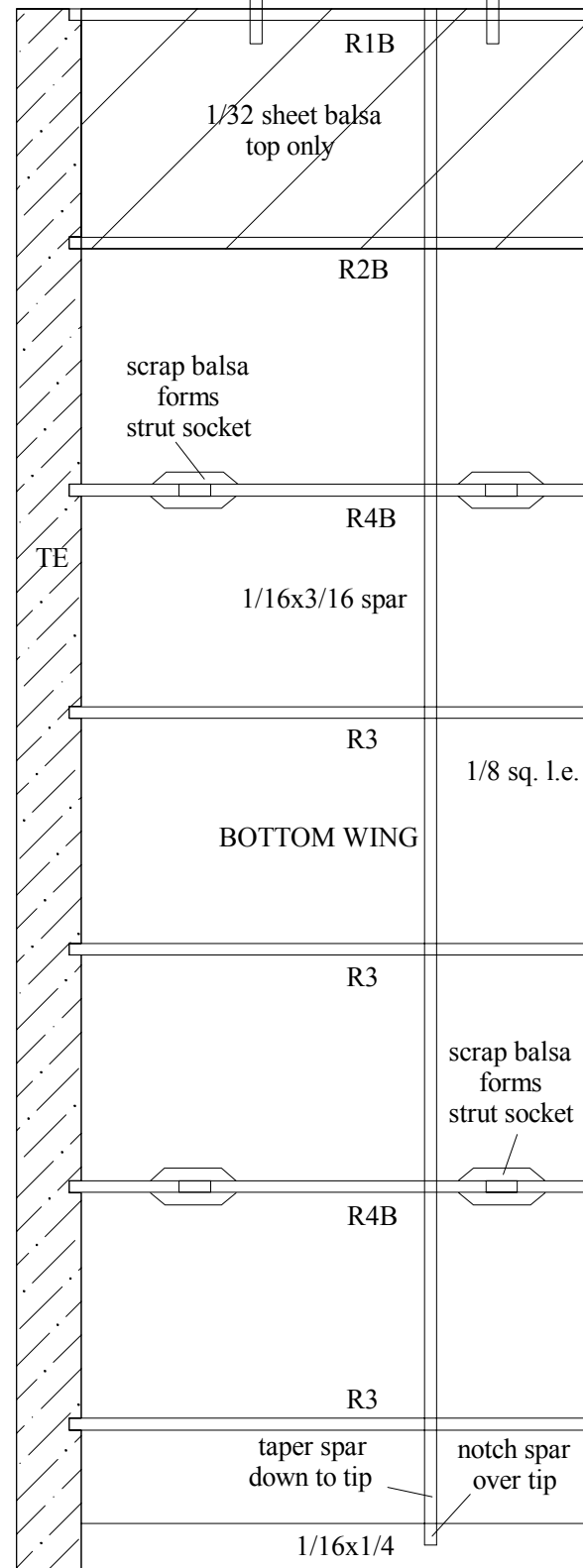
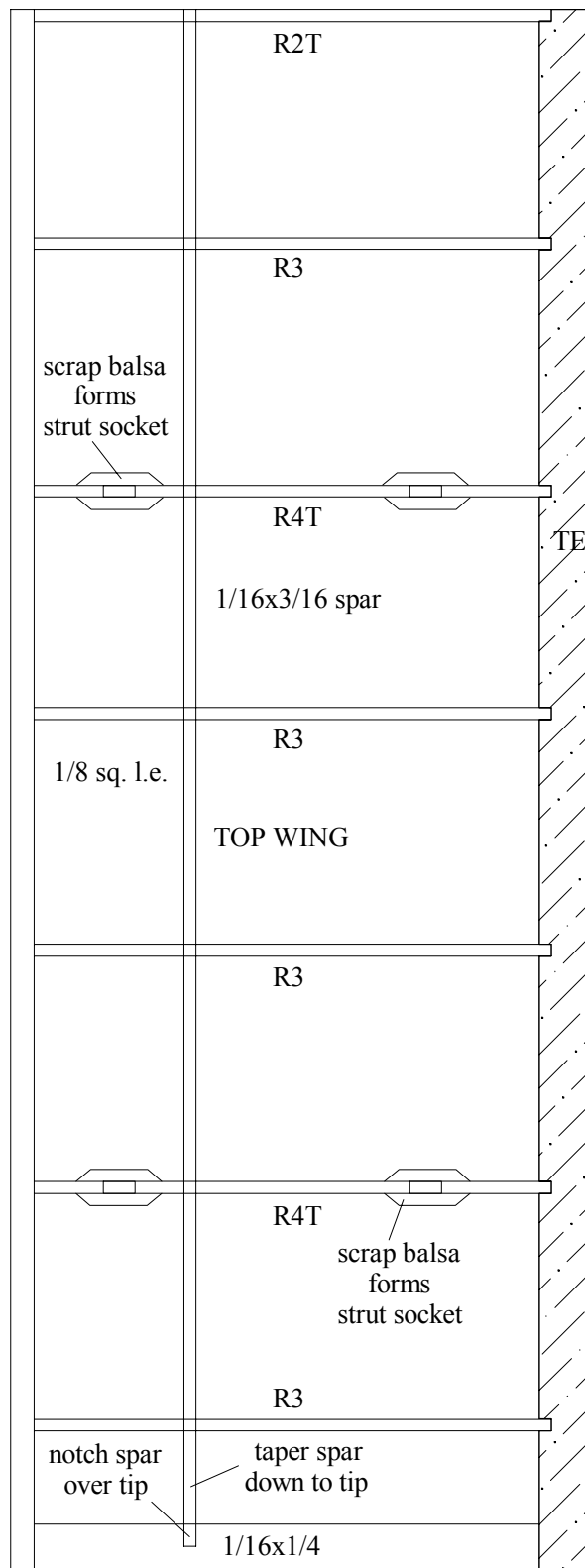
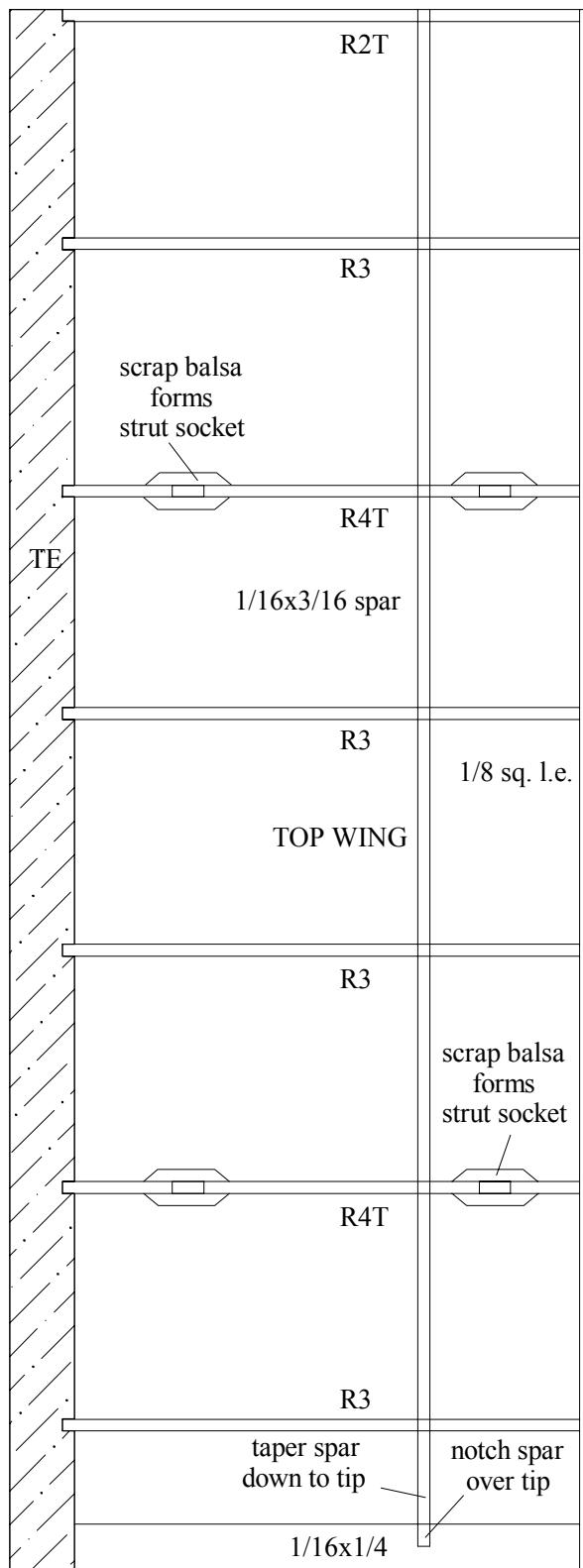
Peter Rake's
DH 6
"Clutching Hand"
Copyright P. Rake 2015



angle all root ribs for dihedral

c/tail stick
locating dowels

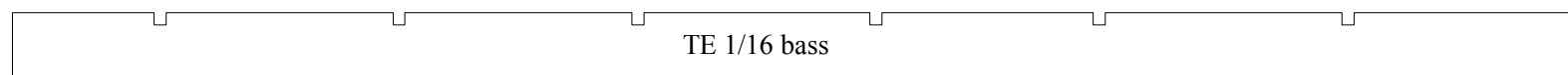
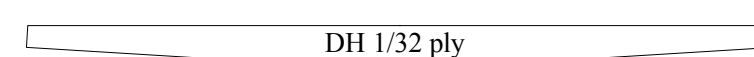
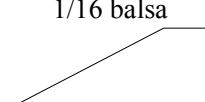
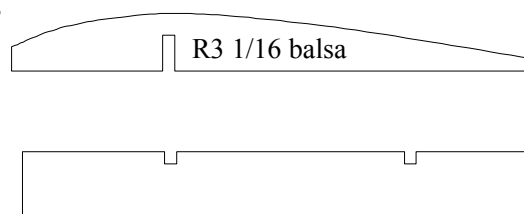
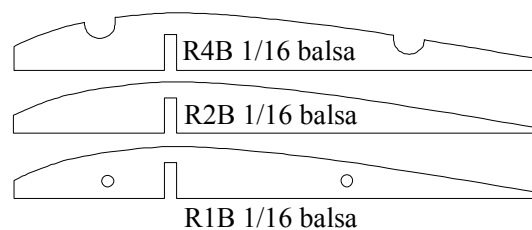
c/tail stick
locating dowels

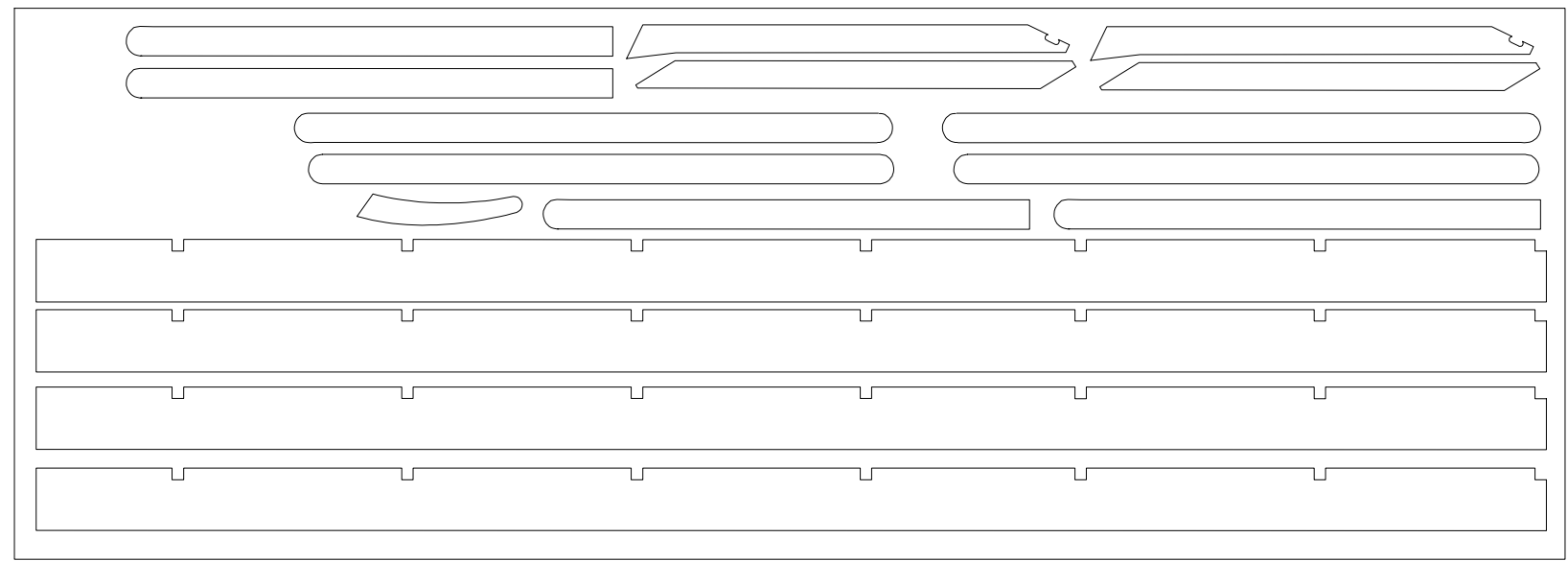


Peter Rake's
DH 6
"Clutching Hand"
Copyright P. Rake 2015

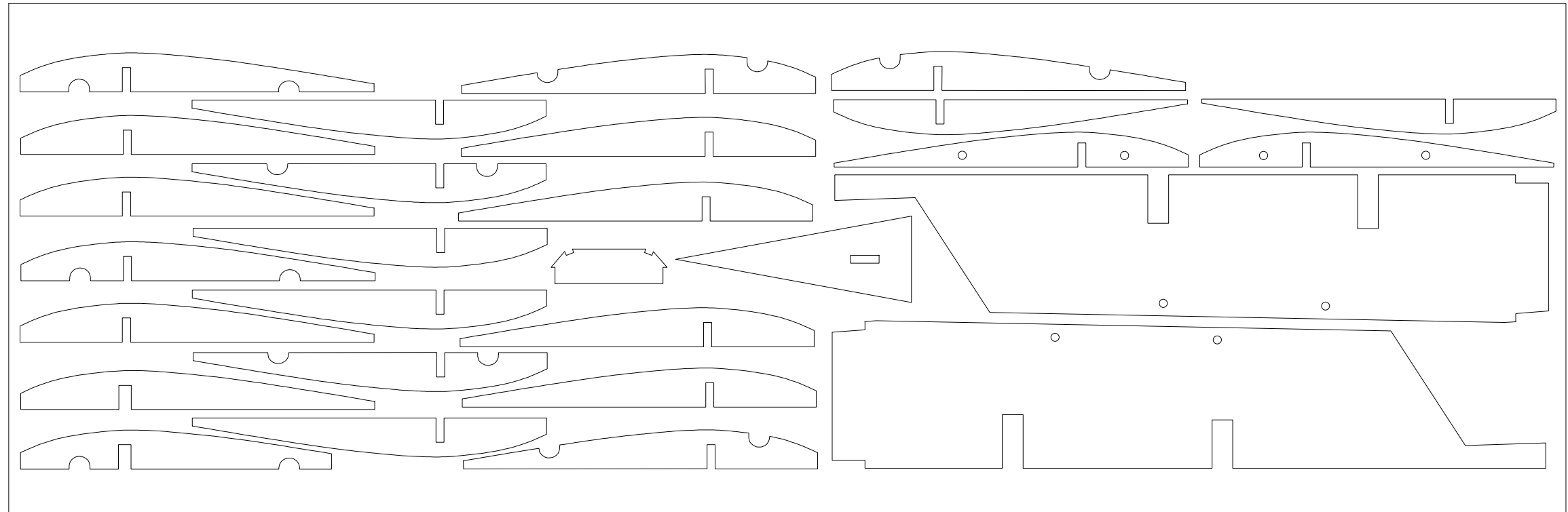
0.5" dihedral under tip
all wings

root rib angle guide
1/16 balsa

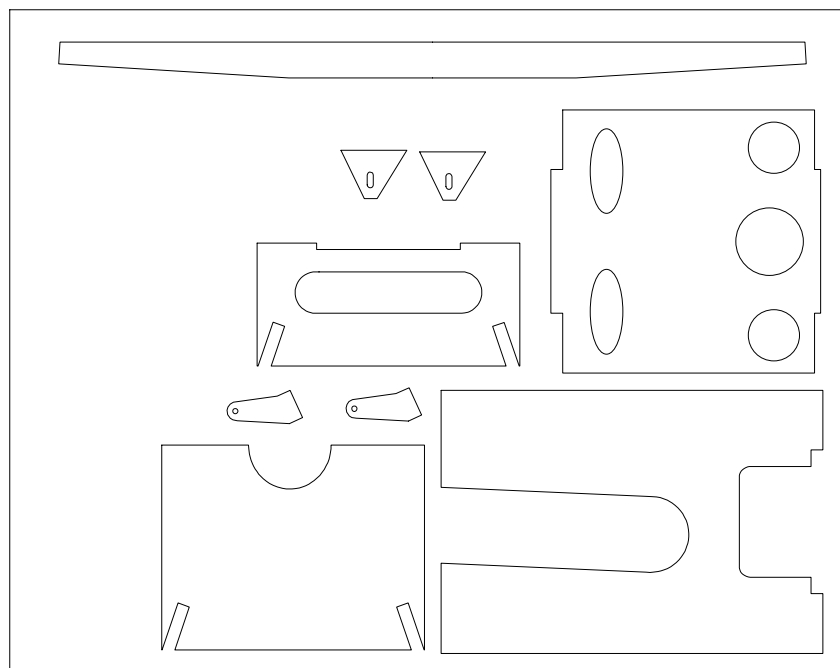




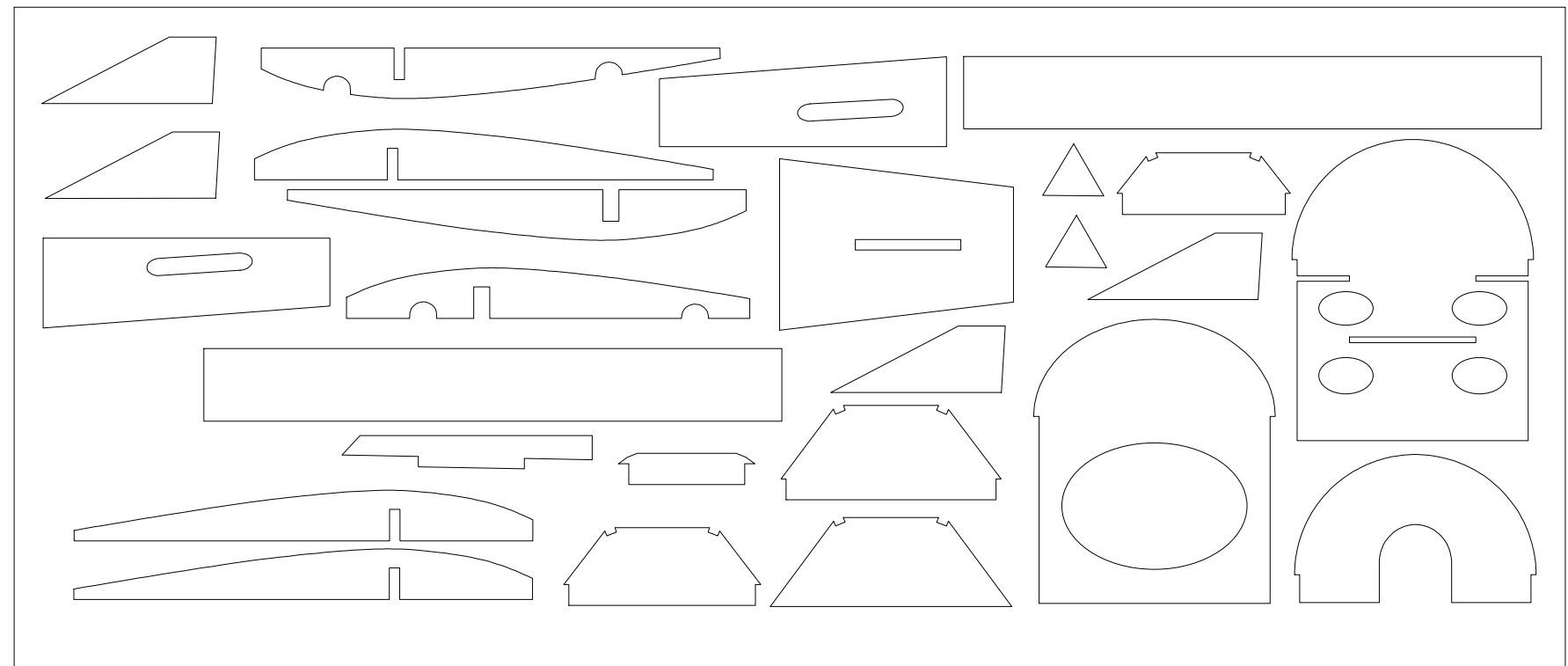
1/16 bass



1/16 balsa



1/32 ply



1/16 balsa