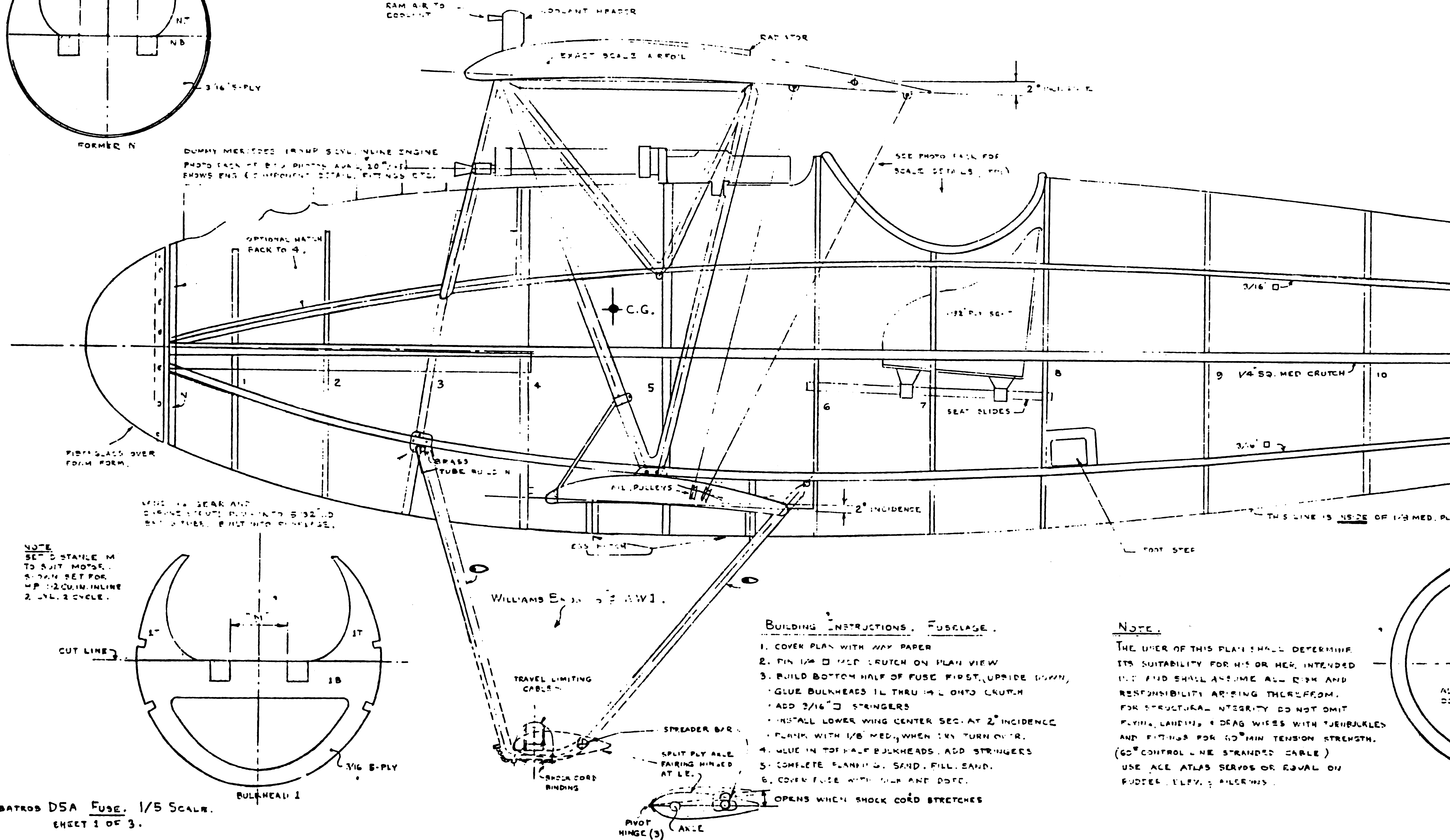
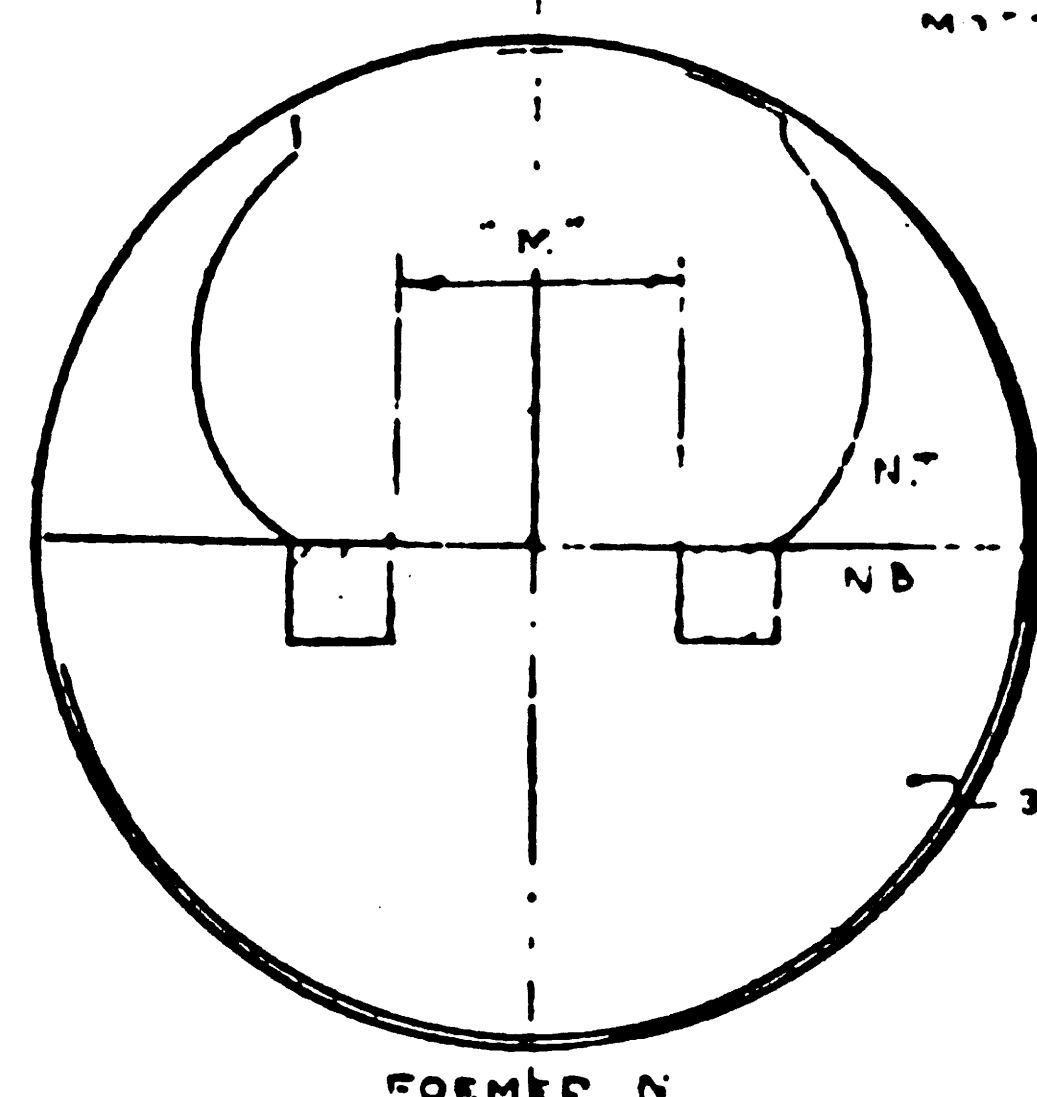
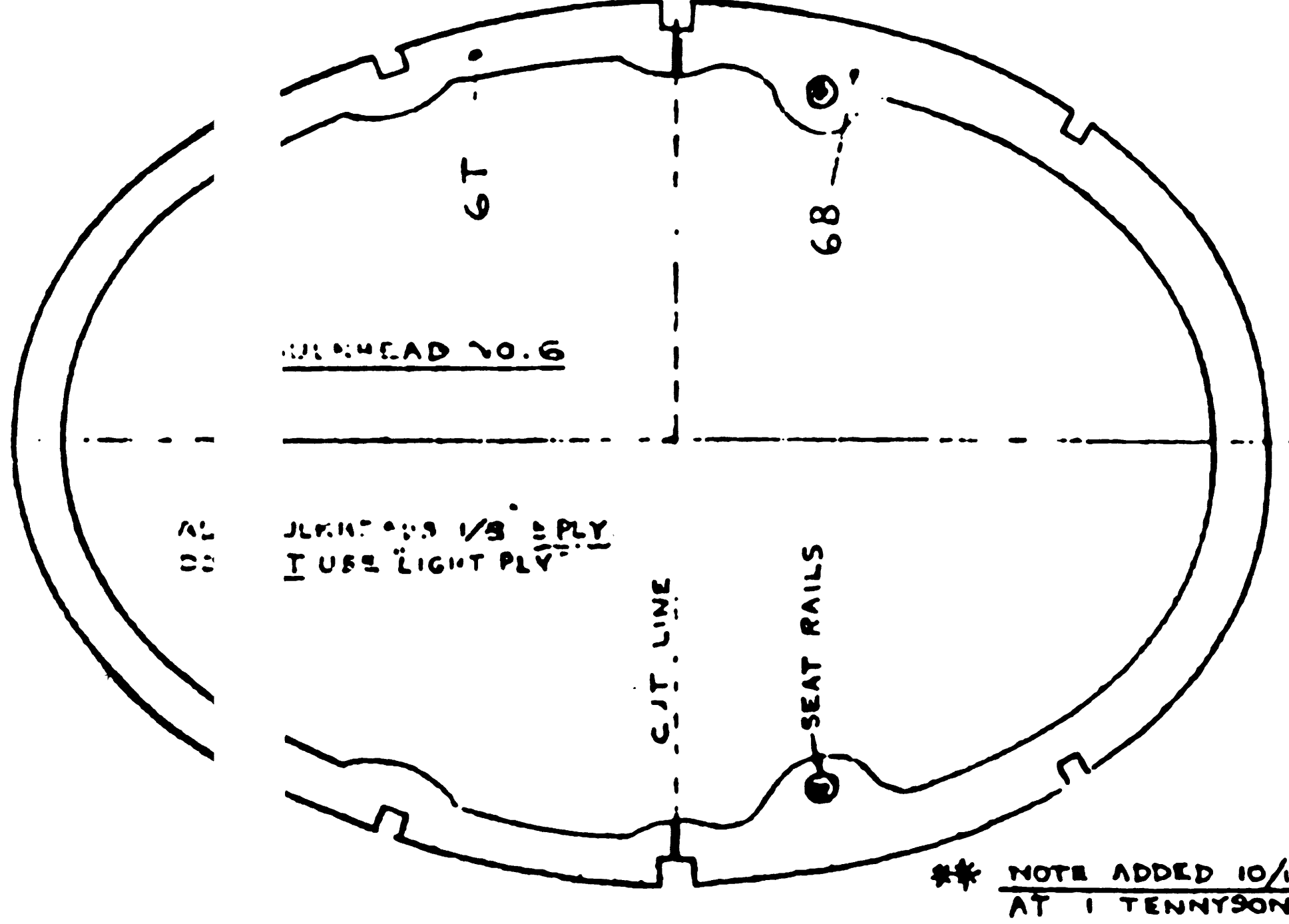
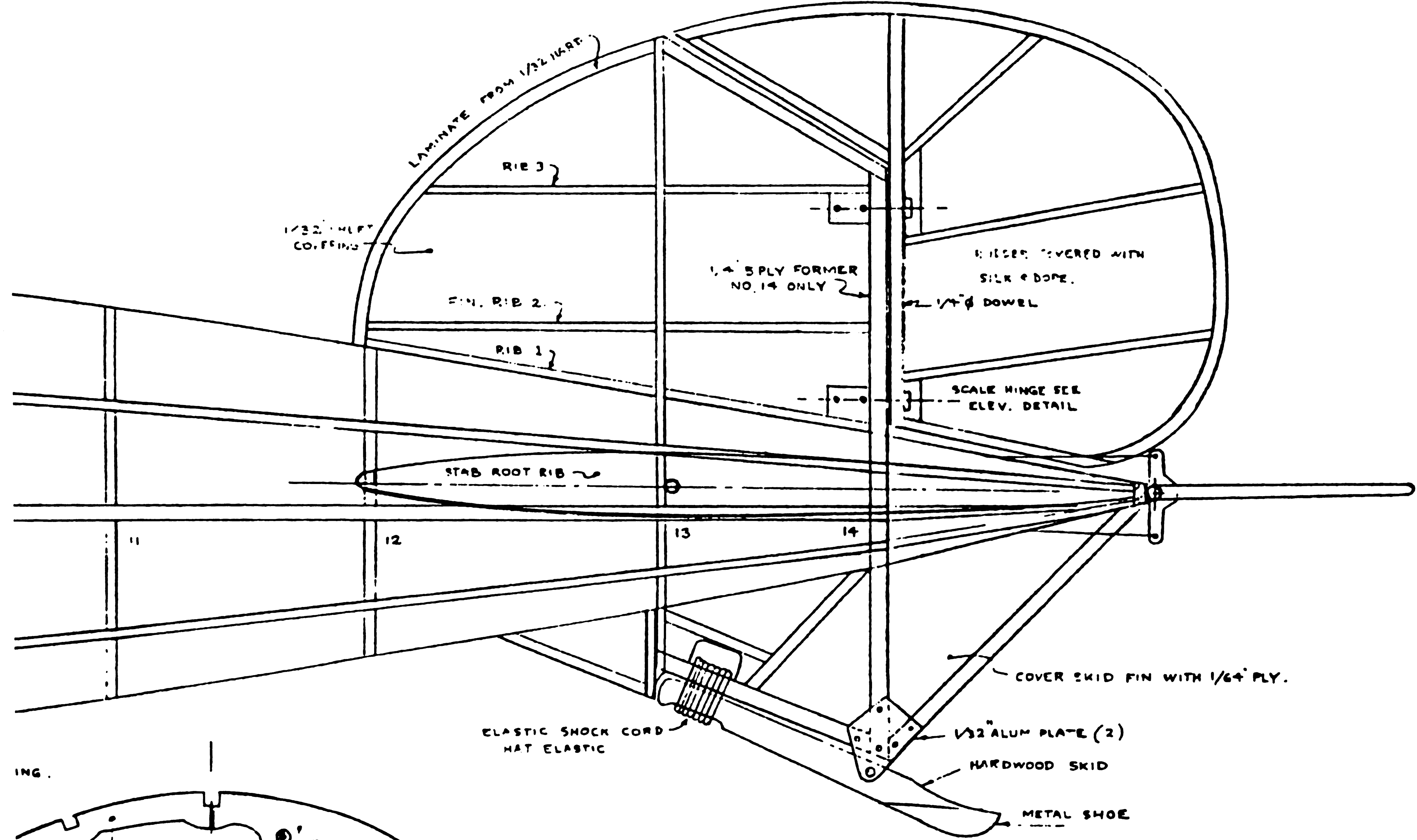


RECOMMENDED ENGINE SIZE 1/2 CU. IN. 4 CYCLE, 1/2 IN. 2 CYCLE, 1/2 IN. 2 CYCLE, 1/2 IN. 2 CYCLE, 1/2 IN. 2 CYCLE



- BUILDING INSTRUCTIONS - FUSELAGE**
1. COVER PLAN WITH WAX PAPER
  2. FIN 1/4" MED CRUTCH ON PLAN VIEW
  3. BUILD BOTTOM HALF OF FUSE FIRST, UPRIDE DOWN, GLUE BULKHEADS 1L THRU 14L ONTO CRUTCH. ADD 3/16" STRINGERS
  4. INSTALL LOWER WING CENTER SEC. AT 2" INCIDENCE. PLANK WITH 1/8" MED. WHEN 1RY TURN OVER.
  5. GLUE IN TOP HALF BULKHEADS. ADD STRINGERS
  6. COMPLETE FLANKING. SAND, FILL SAND.
  7. COVER FUSE WITH SILK AND DOPE.

**NOTE:**  
THE USER OF THIS PLAN SHALL DETERMINE ITS SUITABILITY FOR HIS OR HER INTENDED USE AND SHALL ASSUME ALL RISK AND RESPONSIBILITY ARISING THEREFROM. FOR STRUCTURAL INTEGRITY DO NOT OMIT FLYING LAMINAE, 4 DRAG WIRES WITH TENSIBUCKLES AND FITTERS FOR 60# MIN TENSION STRENGTH. (60# CONTROL LINE STRANDED CABLE) USE ACE ATLAS SERVO OR EQUAL ON FUDDER. ELEV. SERVO.

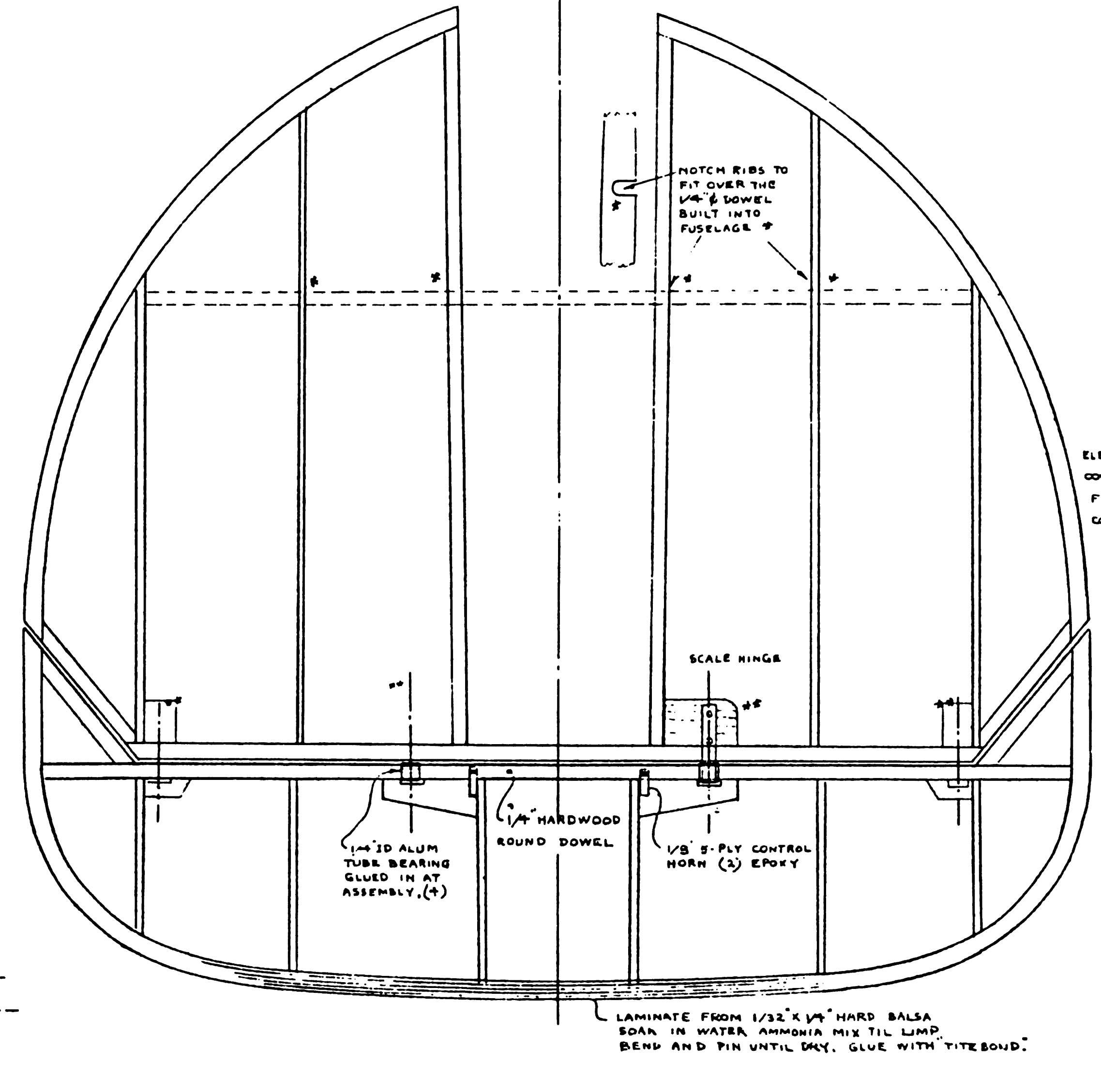
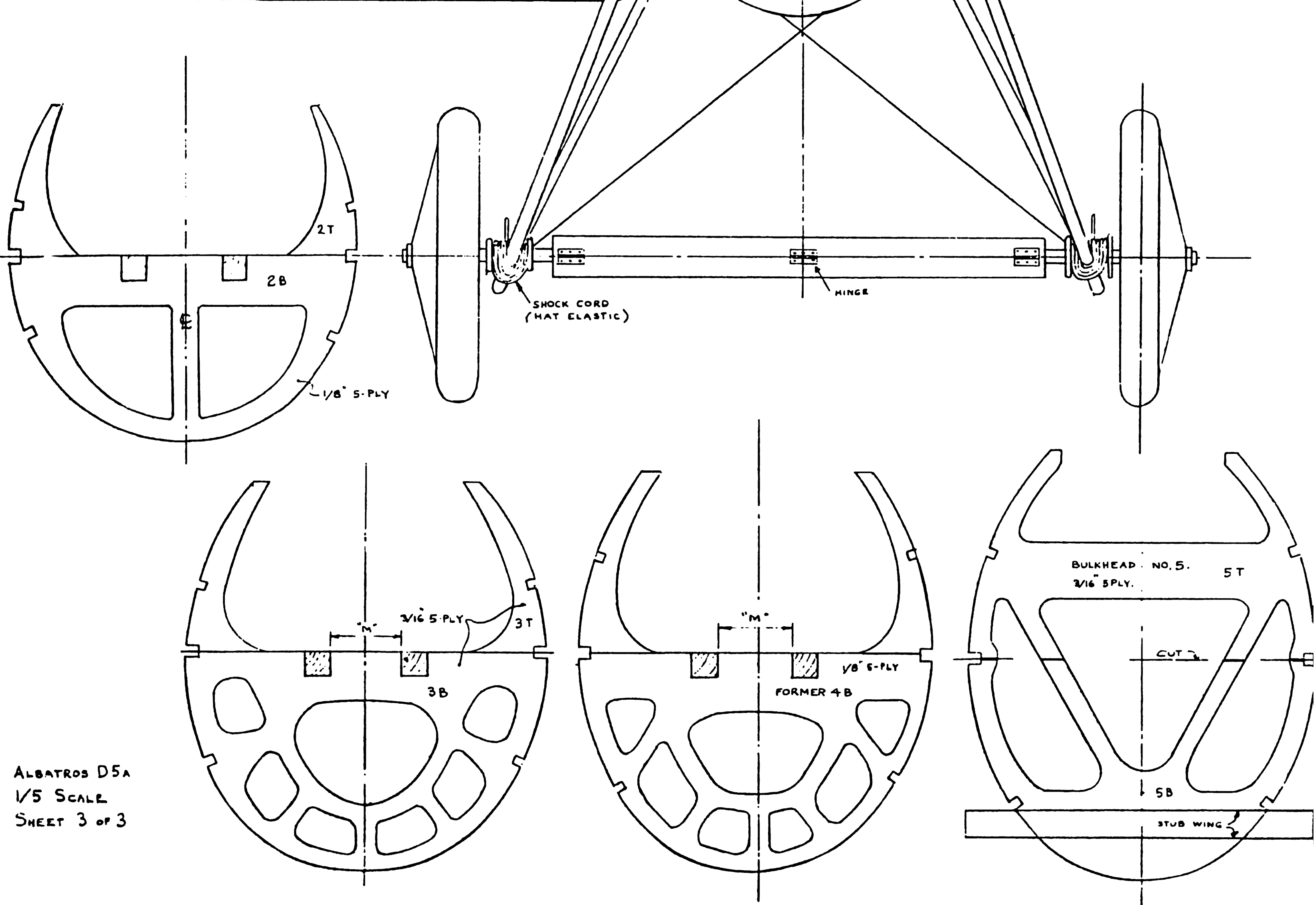
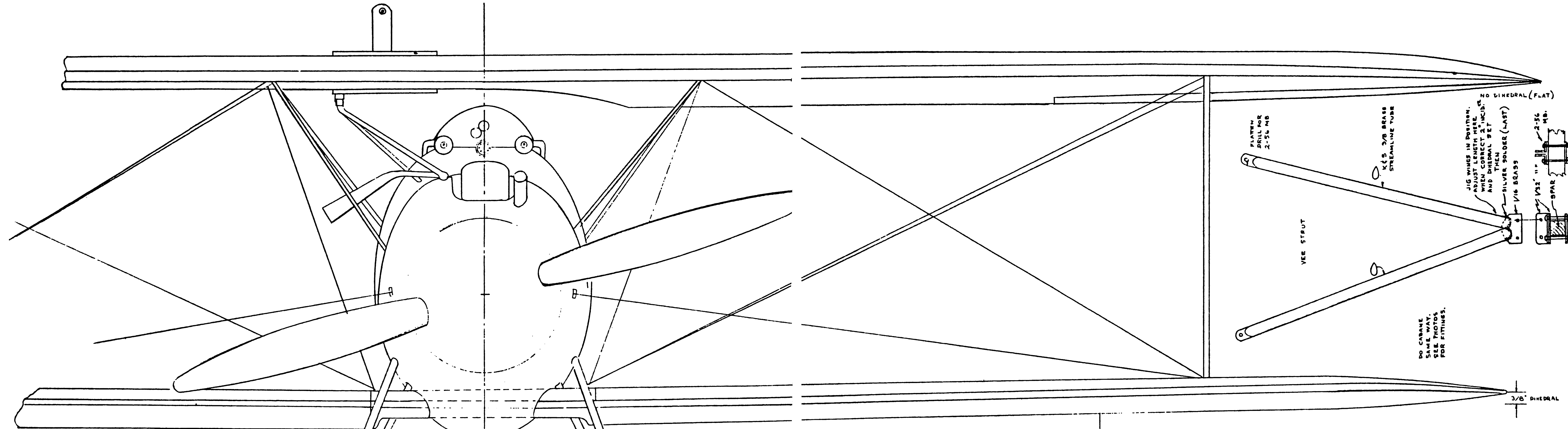


- SCALE DOCUMENTATION SOURCES**
1. SCALE PLANS AND PHOTO SERVICE (SPPS) 3201 WASHINGTON AVE., GREENSBORO, N.C. 27403 PHONE (714) 282-5259 CATALOG LISTS MUCH MATERIAL (#3)
  2. BOOK: VOL. 4, FAMOUS AIRCRAFT OF THE NATIONAL AIR AND SPACE MUSEUM ALBATROSS D5A BY SHIRAZI, SHIRAZI, PRESS WASHINGTON D.C. BOB WAUGH DRAWINGS & PHOTOS OF REBUILD OF D5A STROPP
  3. AIRCRAFT AT NASM WASHINGTON DC. STROPP AIRCRAFT OF COLE PALEN IN MUSEUM AT OLD FINEBERG AIRDRONE, FINEBERG N.Y. (NATIONAL AIR MUSEUM AUSTRALIA HAS ONE AUTHENTIC D5A CAPTURED IN WW I - SEE BELOW)
  4. SPPS HAS PHOTO COVERAGE

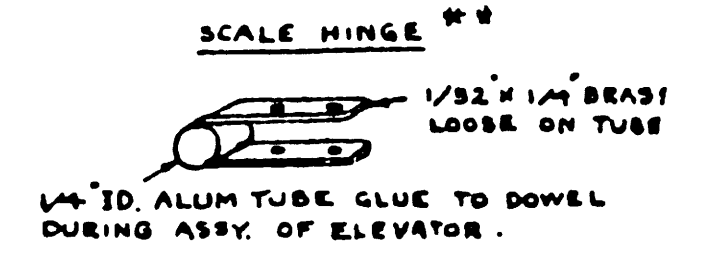
THIS MODEL IS BASED ON THE DRAWINGS OF MR. BOB WAUGH WHICH APPEAR IN VOL. 4, NASM RLB, D5A BY HIRSCH. THESE ARE NONE BETTER!  
L.F. Popping

ALBATROSS D5A, 1/5 SCALE  
SPAN 70 3/4", L = 57 1/4"  
ENGINE RECOMMEND 1-2 CYCLE, SAID, ENYA, OS, OR HP120  
TWO CYL. IN LINE (MOUNTS SHOWN)  
SCALE PLANS & PHOTO SERV.  
© Lyle F. Popping Ph.D. P.E. 1985  
SHEET 1 OF 3





ELEVATOR & STAB & RUDDER COVERED WITH SILK & DOPE. FIN IS PLANNED 1/32 THEN COVERED WITH SILK & DOPE.



ALBATROS D5A 1/5 SCALE  
SPAN TOP WING = 70 3/4"  
LENGTH OVERALL = 57 1/4"  
© SCALE PLANS & PHOTO SERVICE  
LYLE F. PERINO 1985  
SHEET 3 OF 3

ALBATROS D5A  
1/5 SCALE  
SHEET 3 OF 3