

BECOME A LICENSED FLYER  
JOIN THE A.M.A.  
WRITE A.M.A. HEADQUARTERS  
1025 CONNECTICUT AVE. N.W.  
WASHINGTON 6, D.C.

**INSTRUCTIONS**

Fuselage: Remove doubler parts from die cut sheet and cement upper and lower parts of each set together. The upper part is reversed on die cut sheet, be sure to turn over. When dry, sand smooth and pin both in place on plan. Cement 3/32" square in place over shaded area of plan. Cement formers F-22 in place. When dry, remove pins and sheet both sides with 1/16" sheeting. Be sure to allow 3/16" overlap for firewall. When sheeting is dry separate both sides with sharp blade, and trim end to conform to plan. Cement former F-4 and tail end of both sides together. (Keep it square) Cut and cement 3/32" cross braces in place. Assemble B-1, B-2 and B-3 die cuts and cement to former F-2. While drying, cement F-11 into place. Then cement F-2 assembly in place using rubber bands to hold nose together. Cement 1/8" plywood firewall and remaining formers in proper location. Cement top 1/8" x 1/4" stringer in place. Assemble stabilizer platform and rudder and cement in place. Assemble and cement tail block assembly in place. Install torque rod and attach escapement to former F-4. Cement bottom planking, F-12, F-13 and the rest of 1/16" x 1/8" stringers in place - Cowling is self explanatory and optional.

Stabilizer: Notch trailing edge in one piece. Block up leading and trailing edge on plan and cement ribs, spars, and tips in place. Cut, fit and cement well. When dry, cut out trailing edge between S-1 formers and plank bottom as shown for stab mounting.

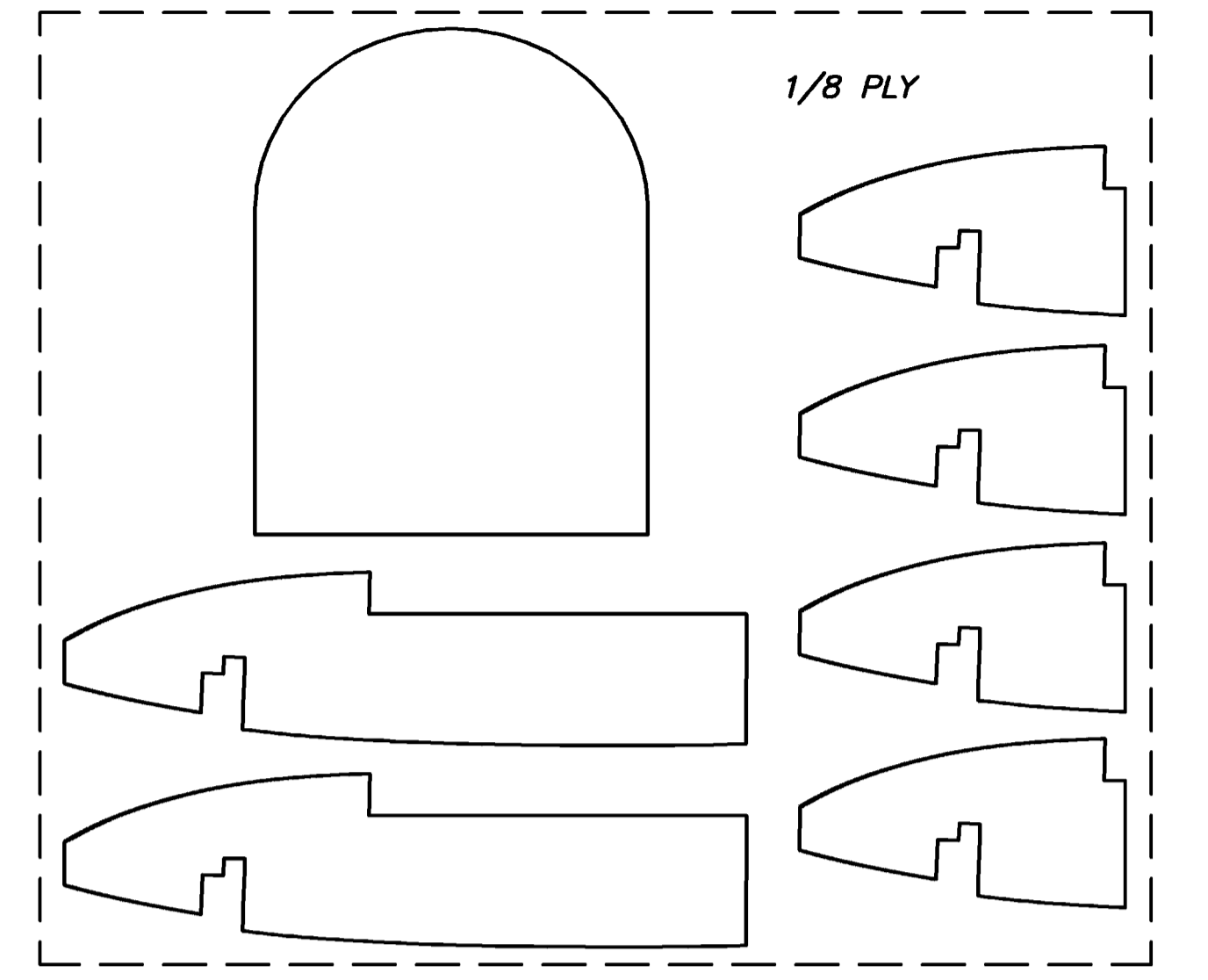
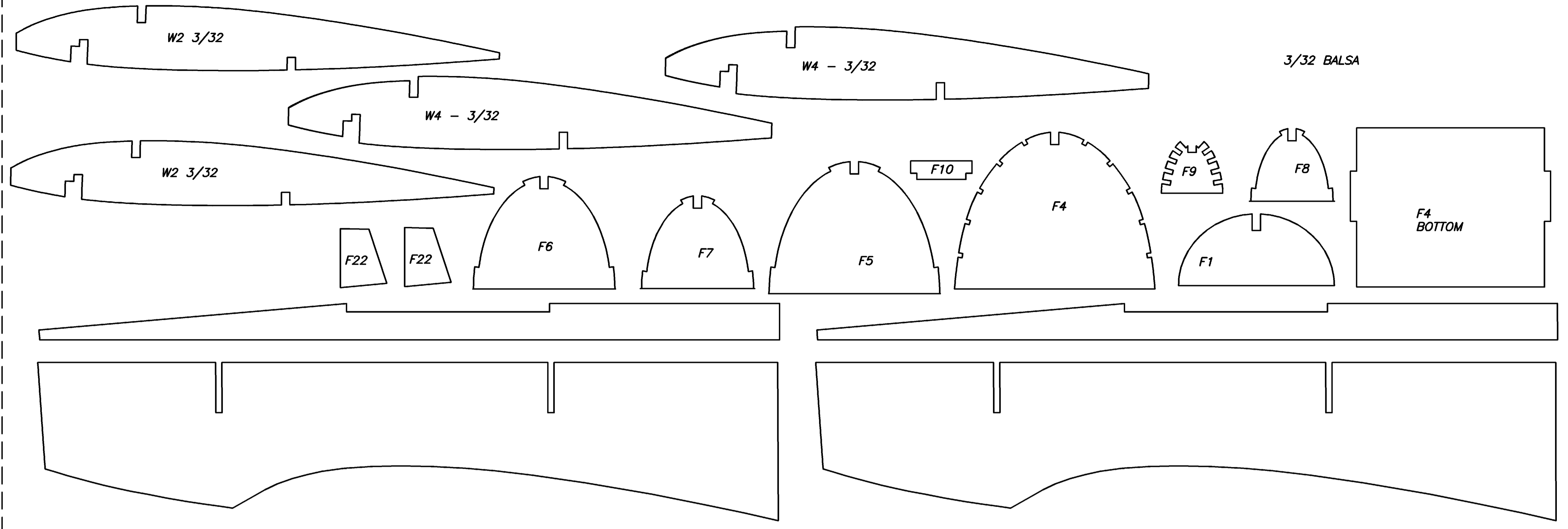
Wing: Glue plywood 1/2 ribs to ribs as shown. Note to make left and right hand set. Notch trailing edge and pin in place on plan. Pin lower rear spar in place and cement in all ribs except the two at the dihedral joints. Cement top spar and leading edge in place. Add lower spar and hardwood spar. Glue in dihedral. Check carefully for alignment. Tips should have 1-1/2" washout. Attach landing gear securely with nylon cord or fish line. Plank center section and leading edge cap top and bottom. Add tips and sand entire wing.

Flying: Check plan for thrust setting which proved correct on prototype. Make sure of C. G. location as shown on plan. Original is extremely stable and handles like any conventional high wing model. Have fun, after all, that's what a hobby is for.

KIT LOANED BY TRAVIS MCGINNIS  
ARCHIVED AND COMPUTERIZED BY  
ROLAND FRIESTAD - 9/19/2007  
www.fullsizeplans.com  
Info@fullsizeplans.com

**JODEL** 1/2 A SEMI-SCALE RADIO CONTROL MODEL  
WING AREA = 296 SQ. IN.  
DESIGNED - JOE VERMOCH  
DRAWN - DON HARDY  
APPROVED - Frank Stecher

32.5 x 20



KIT LOANED BY TRAVIS MCGINNIS  
 ARCHIVED AND COMPUTERIZED BY  
 ROLAND FRIESTAD - 9/19/2007  
[www.fullsizeplans.com](http://www.fullsizeplans.com)  
[Info@fullsizeplans.com](mailto:Info@fullsizeplans.com)

PATTERNS FOR MIDWEST JODEL D-9  
 FULL SIZE PLANS ARCHIVE 002211

