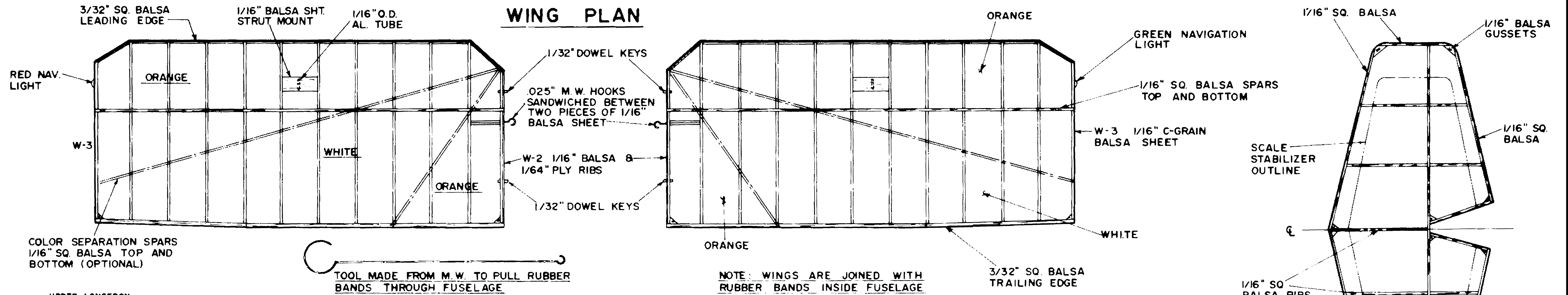
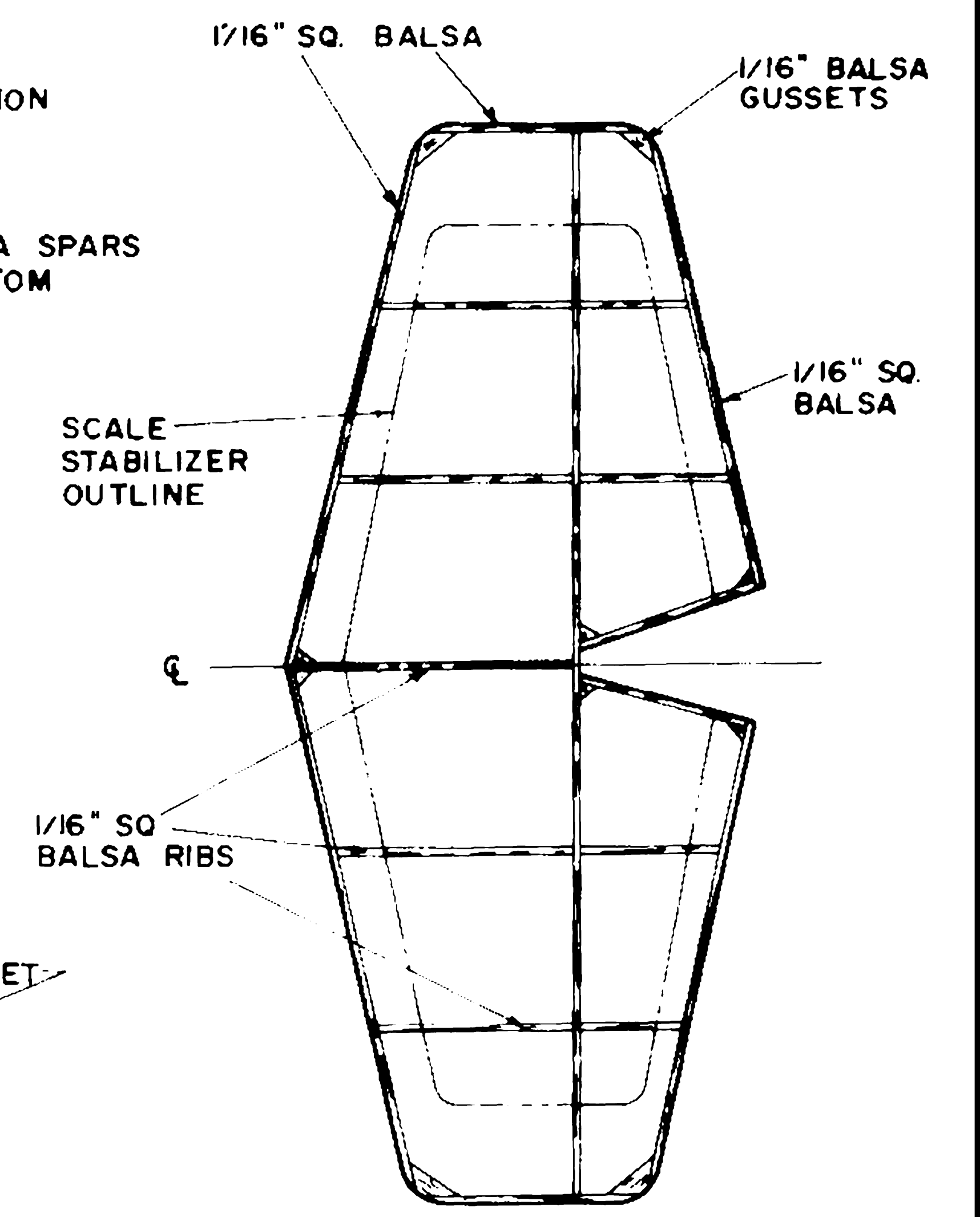


### WING PLAN



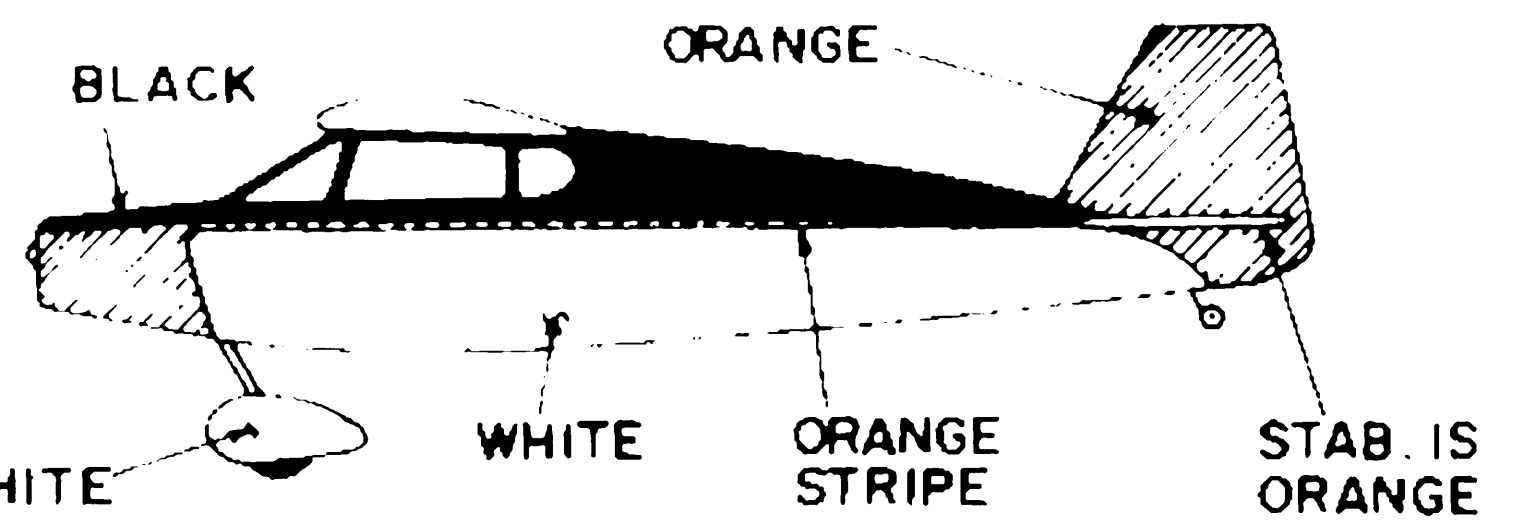
### STABILIZER PLAN



NOTE: WINGS ARE JOINED WITH RUBBER BANDS INSIDE FUSELAGE

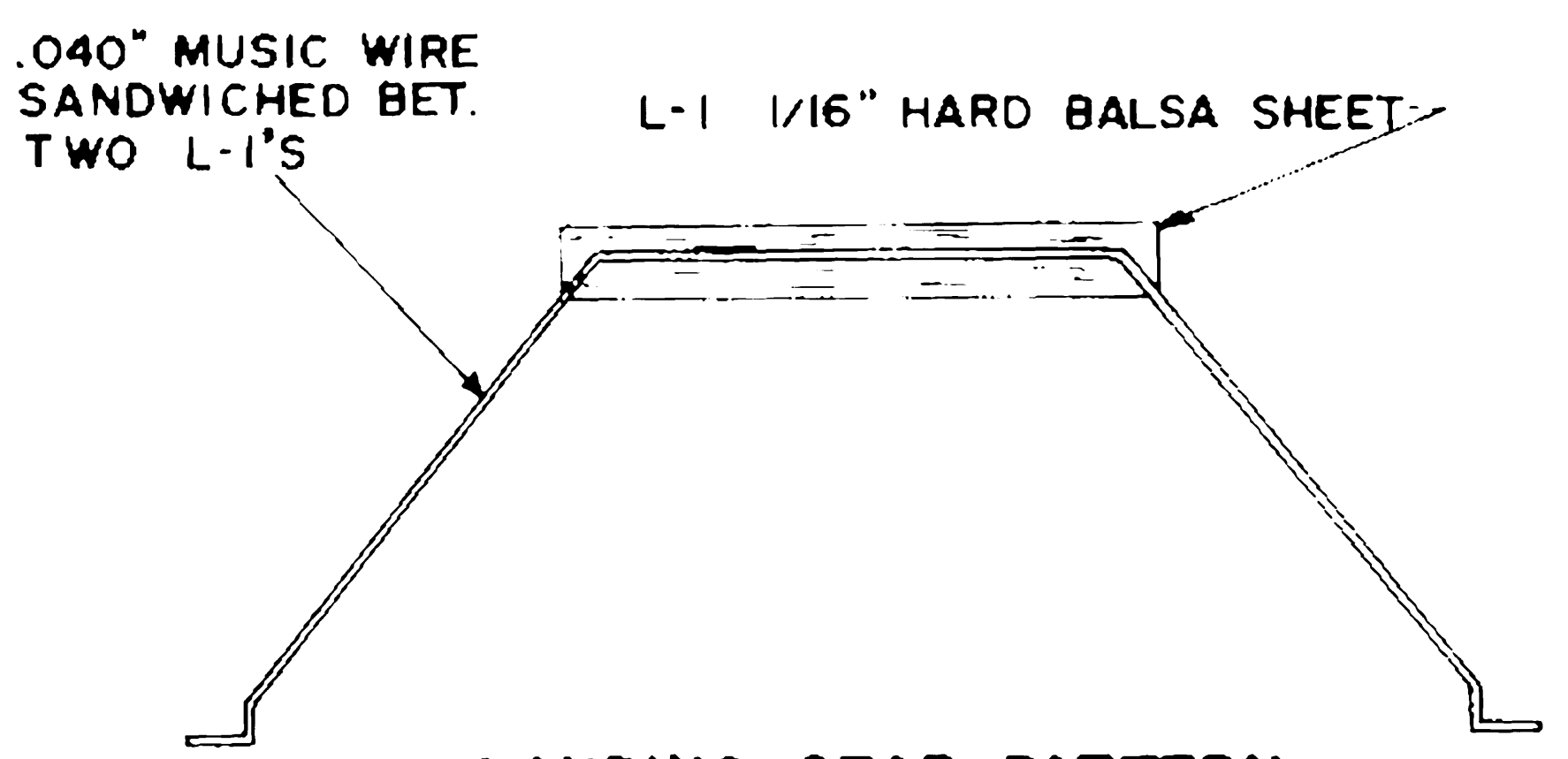
TOOL MADE FROM M.W. TO PULL RUBBER BANDS THROUGH FUSELAGE

REG. NO. IS BLACK

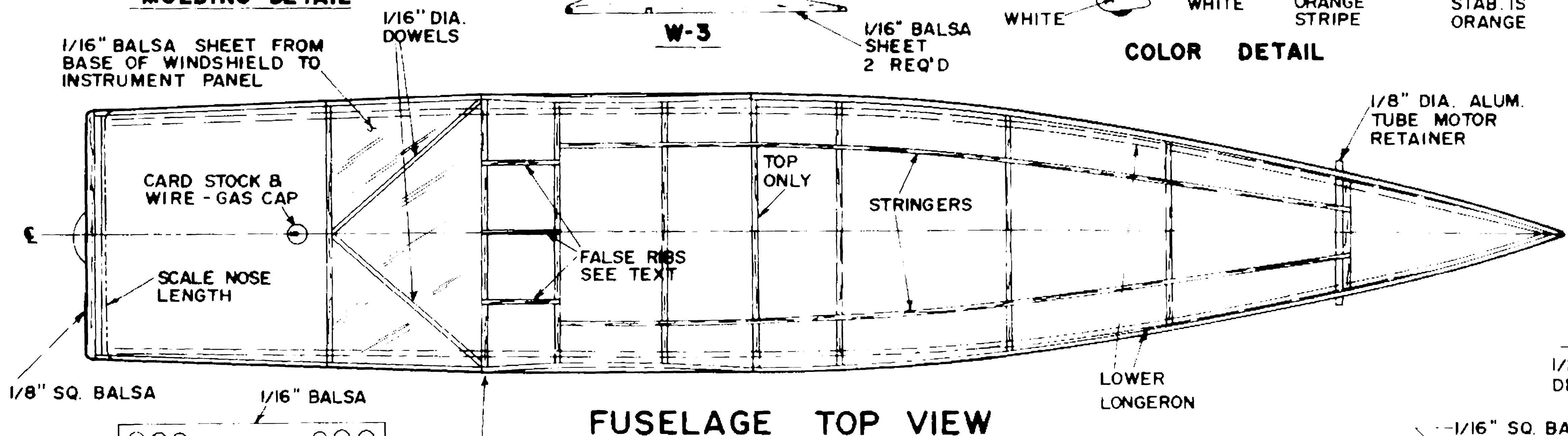


### COLOR DETAIL

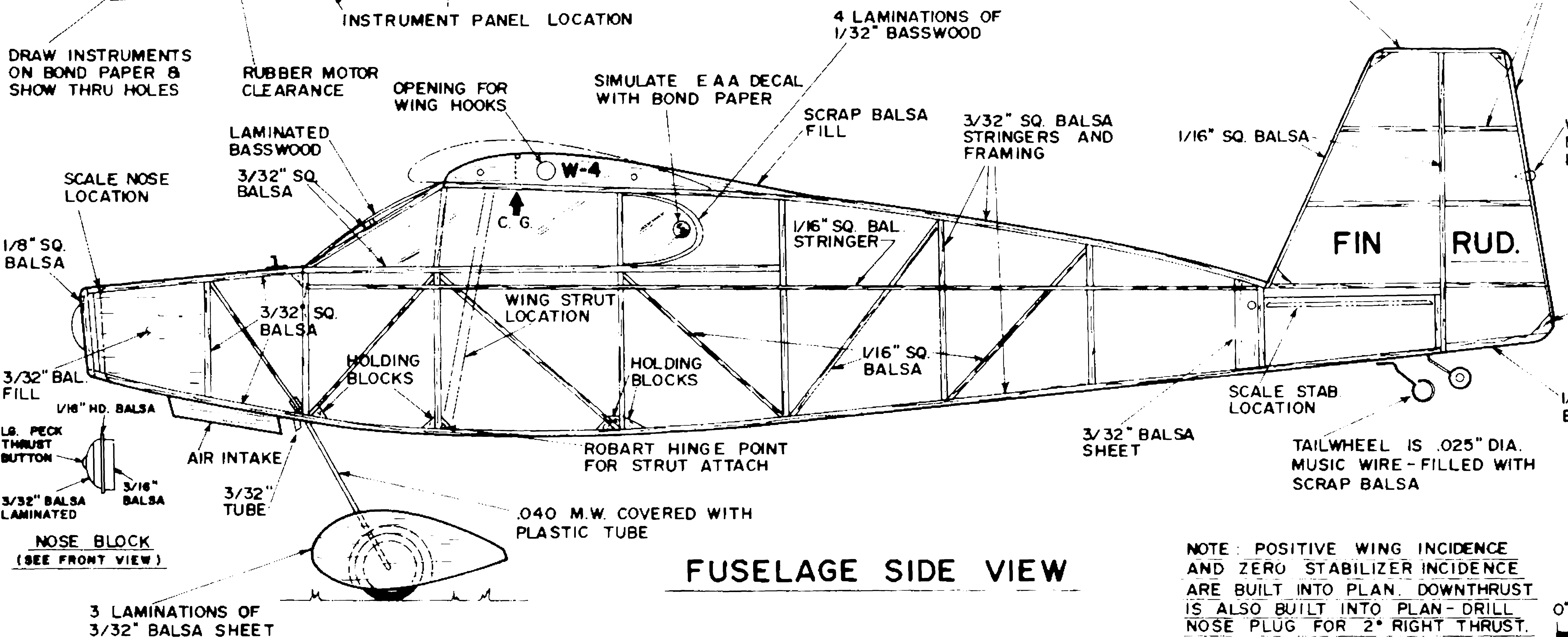
### LANDING GEAR PATTERN



### FUSELAGE TOP VIEW



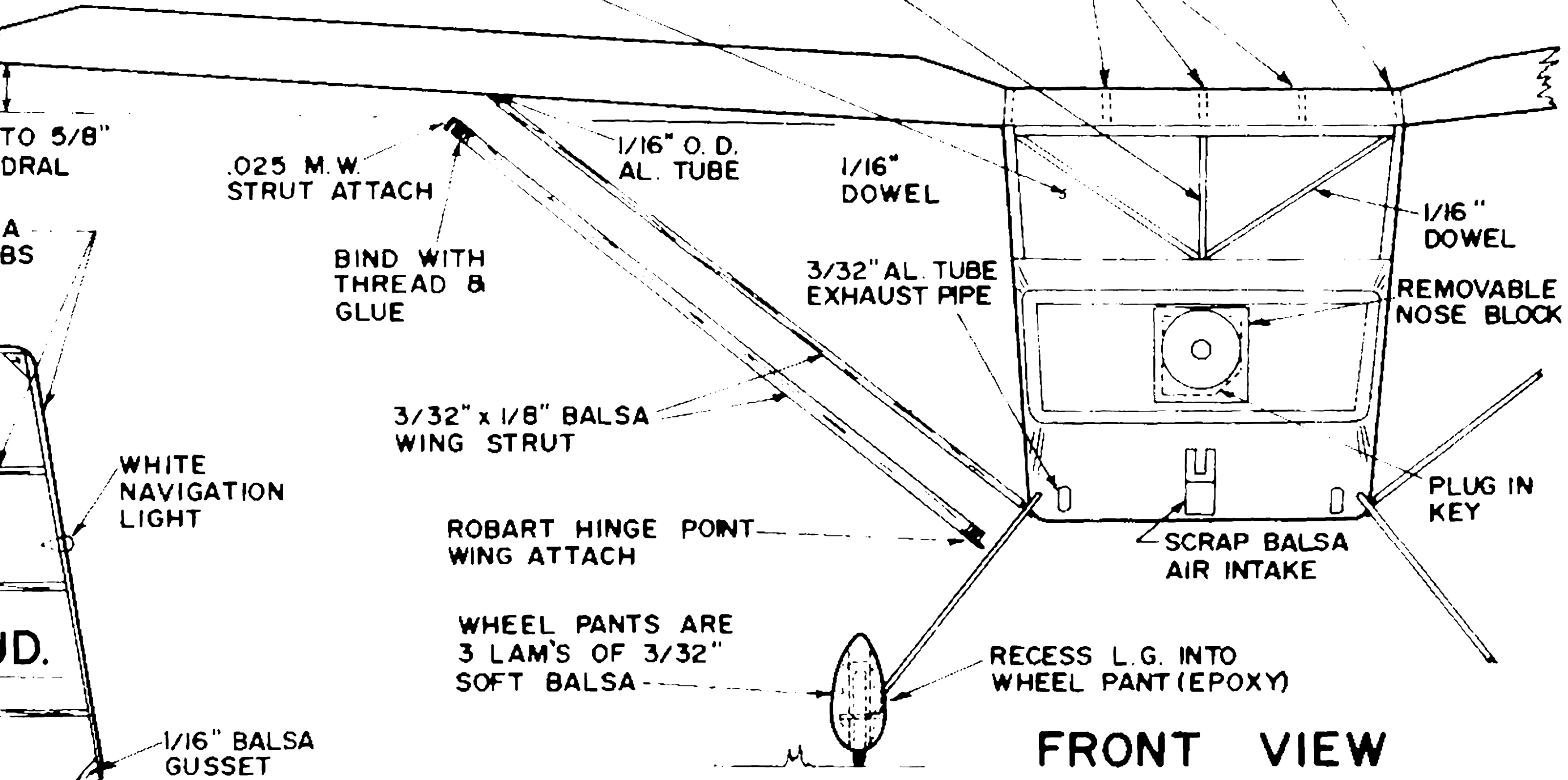
### FUSELAGE SIDE VIEW



CLEAR PLASTIC WINDSHIELD

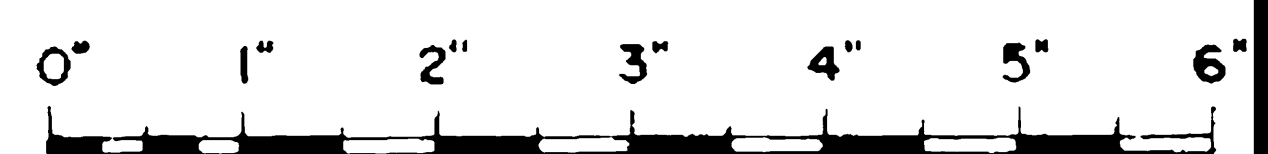
BLACK TAPE FRAMING APPLIED ON INSTALLED WINDSHIELD

FALSE RIBS



### FRONT VIEW

NOTE: POSITIVE WING INCIDENCE AND ZERO STABILIZER INCIDENCE ARE BUILT INTO PLAN. DOWNTHRUST IS ALSO BUILT INTO PLAN - DRILL NOSE PLUG FOR 2° RIGHT THRUST.



FLYING MODELS  
**NESMITH COUGAR**  
 RUBBER SCALE MODEL  
 SCALE 1-1/4" = 1'  
 DESIGNED BY PERRY PETERSON  
 TRACING BY JOE DEMARCO  
 ALL RIGHTS RESERVED