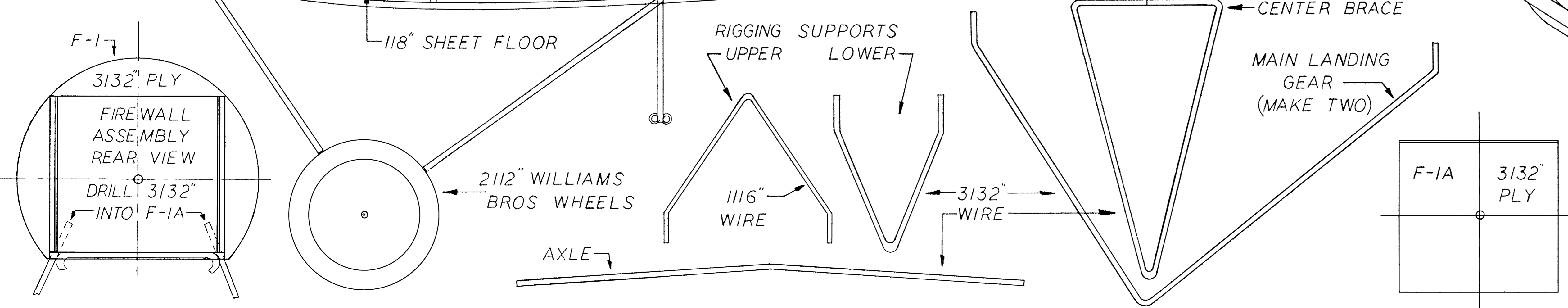
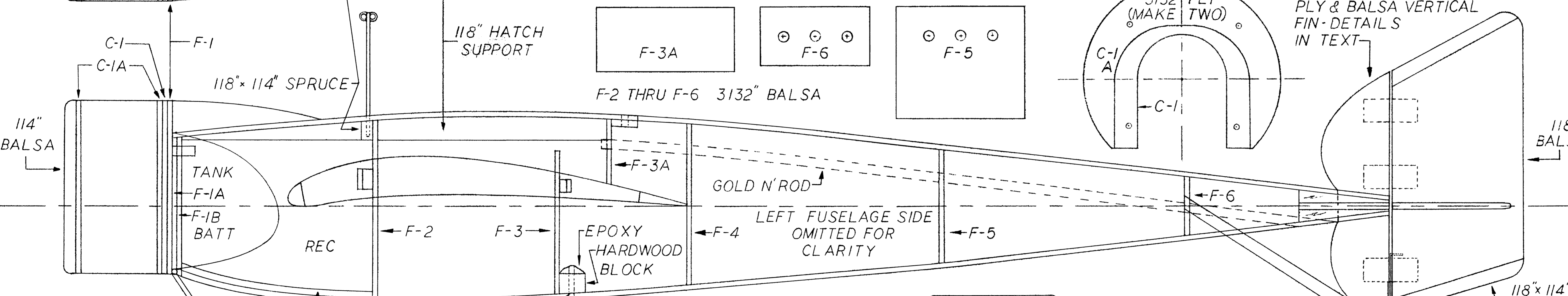
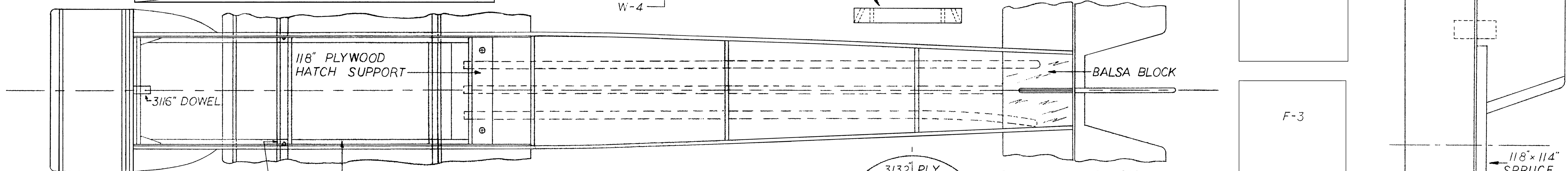
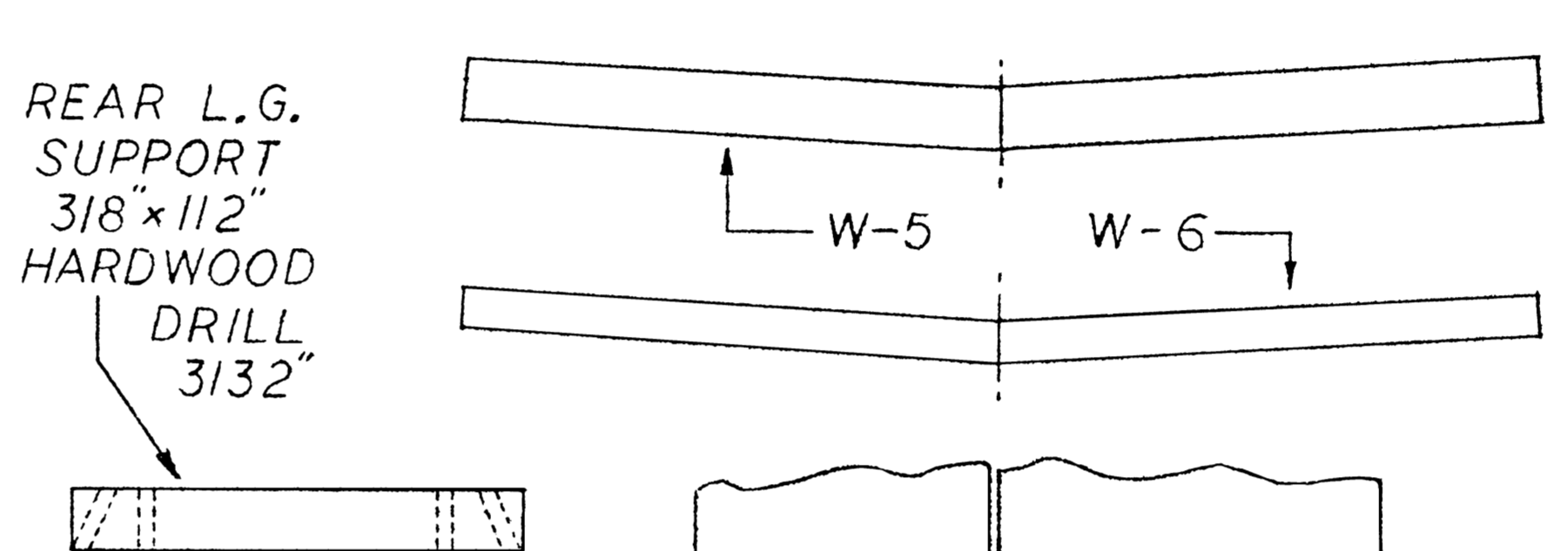
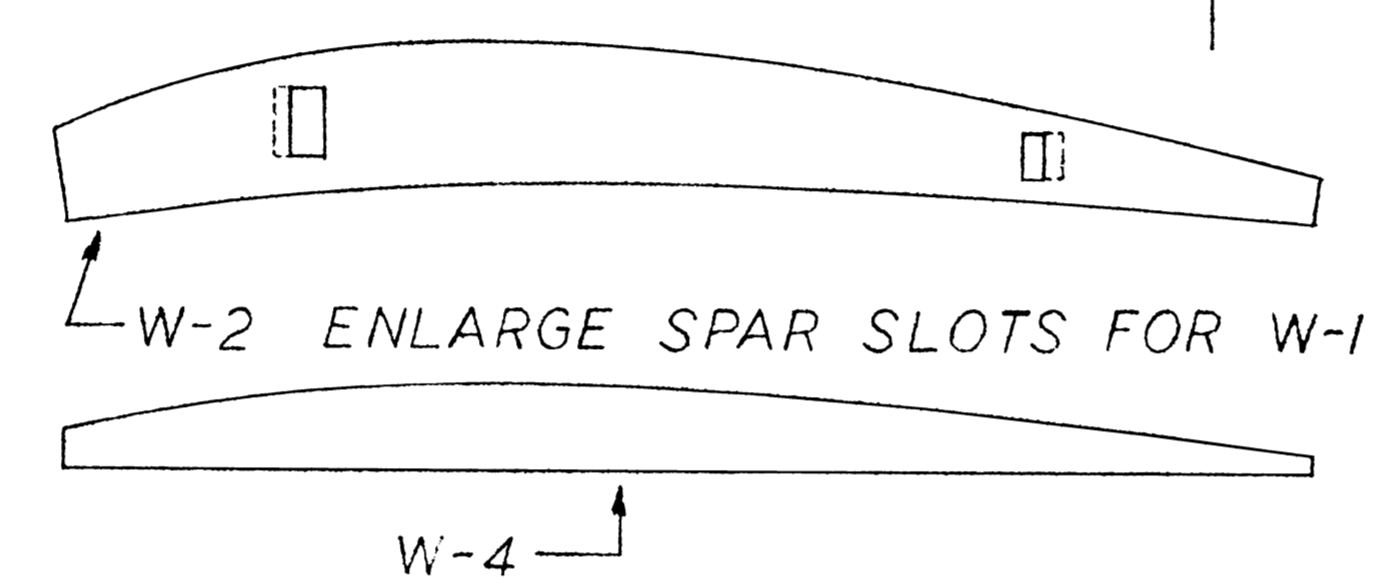
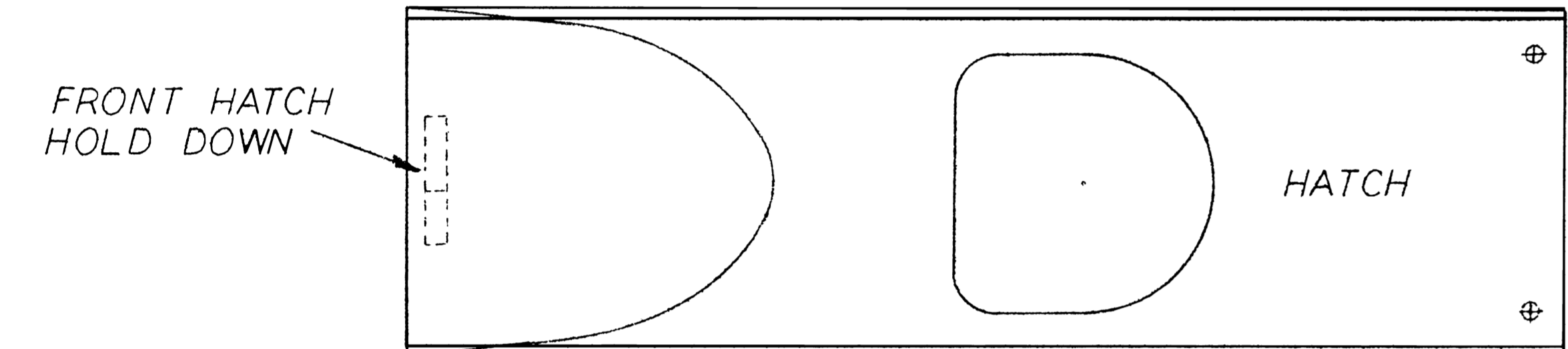
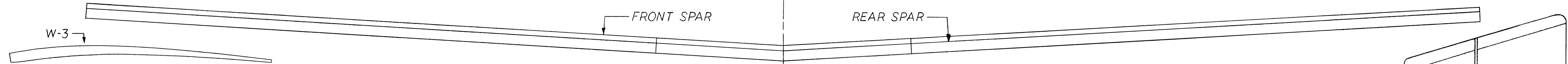
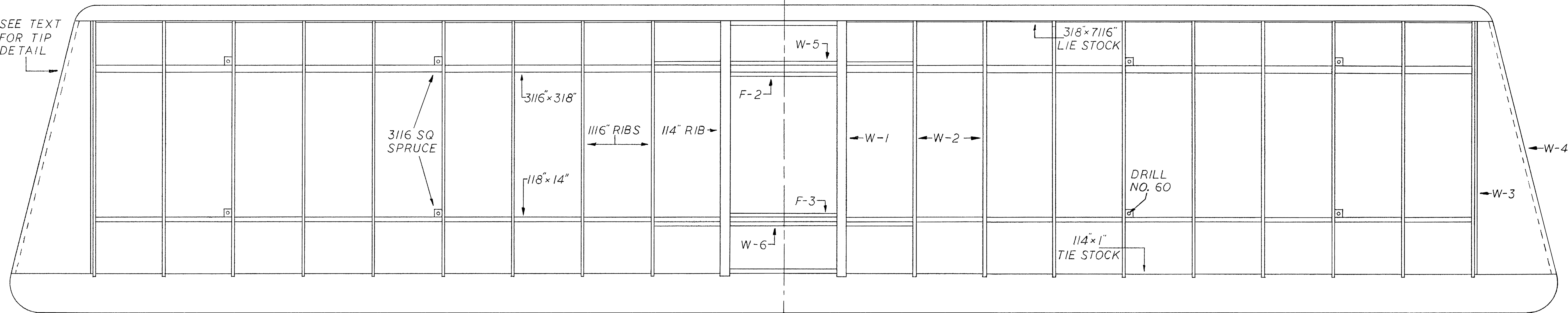


SEE TEXT FOR TIP DETAIL



MORANE-SAULNIER MODEL H  
 DESIGNED & PENCILS BY DON MARTIN — INKED BY  
 A STAND-OFF SCALE RIC FOR 112A-10 POWER AND THREE CHANNELS  
 WING SPAN - 39 IN. WING AREA 288 SQ. IN.

